

## 2-conductor through terminal block; suitable for Ex e II applications; up to 120°C

Item No.: 2002-1205



2-conductor through terminal block; suitable for Ex e II applications; up to 120°C

### Marking

RoHS ✓  
Compliant

### Business data

|                      |               |
|----------------------|---------------|
| Supplier             | WAGO          |
| Item no.             | 2002-1205     |
| GTIN / EAN           | 4044918081399 |
| Content              | 1             |
| Order amount         | 100           |
| Customer item number |               |

### Notes

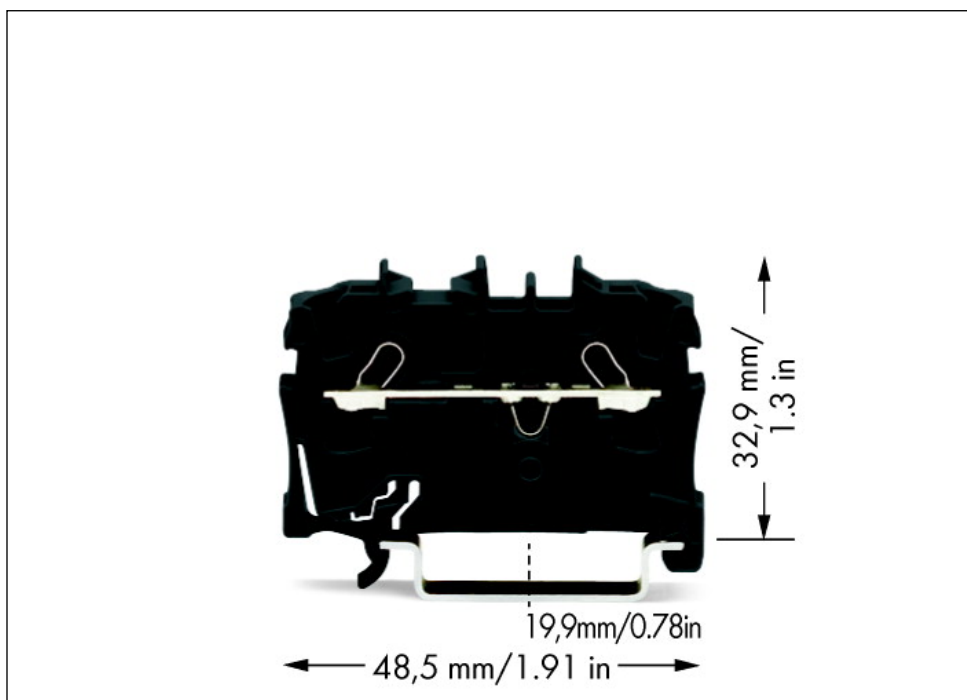
### Technical data

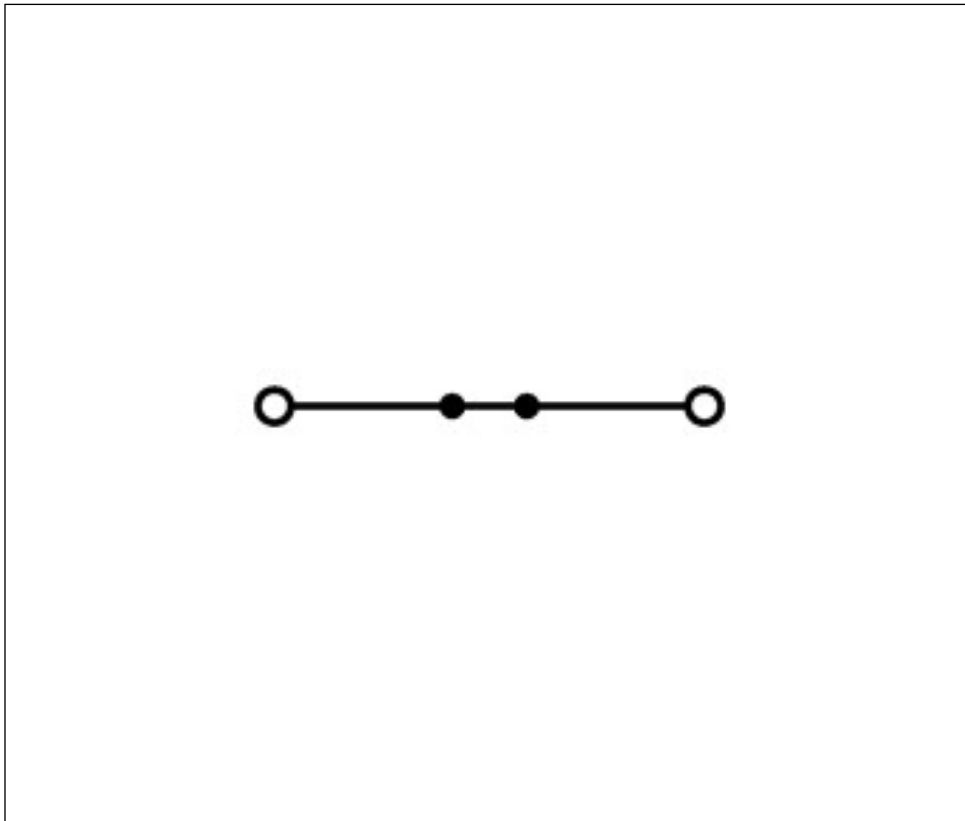
#### Miscellaneous

|                                   |                  |
|-----------------------------------|------------------|
| Total number of connection points | 2                |
| Total number of potentials        | 1                |
| Color                             | black            |
| Ratings according to 1            | IEC/EN 60947-7-1 |
| Pollution degree (1)              | 3                |
| Rated voltage EN (1) [V]          | 800 [V]          |
| Rated surge voltage (1) [kV]      | 8 [kV]           |
| Nominal current [A]               | 24 [A]           |
| Nominal current (2) [A]           | 32 [A]           |

| <b>Technical data</b>   |  |
|---|--|
| <i>Rated voltage EN (Ex e II) [V]</i>                               | <i>550 [V]</i>                                   |
| <i>Nominal current (Ex e II) [A]</i>                                | <i>22 [A]</i>                                    |
| <i>Nominal current (Ex e II) with jumper [A]</i>                    | <i>20 [A]</i>                                    |
| <i>Connection technology (1)</i>                                    | <i>Push-in CAGE CLAMP®</i>                       |
| <i>Nominal cross section 1</i>                                      | <i>2.5 mm<sup>2</sup></i>                        |
| <i>Solid sizes 1</i>  | <i>0.25 ... 4 mm<sup>2</sup> / 22 ... 12 AWG</i> |
| <i>solid, directly pluggable 1</i>                                  | <i>0.75 ... 4 mm<sup>2</sup> / 18 ... 12 AWG</i> |
| <i>Fine-stranded wires 1</i>  | <i>0.25 ... 4 mm<sup>2</sup> / 22 ... 12 AWG</i> |
| <i>min. fine-stranded with insulated ferrule, push-in terminati</i> | <i>0.75 mm<sup>2</sup> / 18 AWG</i>              |
| <i>Strip length 1</i>   | <i>10 ... 12 mm / 0.39 ... 0.47 in</i>           |
| <i>Type of wiring</i>   | <i>Front-entry wiring</i>                        |
| <i>Design</i>   | <i>horizontal</i>                                |
| <i>Marking level</i>  | <i>Center/Side marking</i>                       |
| <i>Insulating material</i>  | <i>Polyamide 66 (PA 66)</i>                      |
| <i>Fire load [MJ]</i>   | <i>0.109 [MJ]</i>                                |
| <i>Weight [g]</i>   | <i>4.9 [g]</i>                                   |
| <i>Width</i>  | <i>5.2 mm / 0.205 in</i>                         |
| <i>Height from upper-edge of DIN-rail [mm]</i>                      | <i>32.9 [mm]</i>                                 |
| <i>Height from upper-edge of DIN-rail</i>                           | <i>32.9 mm / 1.295 in</i>                        |
| <i>Length</i>   | <i>48.5 mm / 1.909 in</i>                        |
| <i>Type of mounting</i>   | <i>DIN 35 rail</i>                               |

Images & drawings





#### Address

WAGO Kontakttechnik GmbH & Co. KG

Hansastr. 27

32423 Minden

Telefon: 0571/887-0

Fax: 0571/887-169

<http://www.wago.com>

© WAGO Kontakttechnik GmbH & Co. KG

Technische Änderungen und Irrtümer vorbehalten.