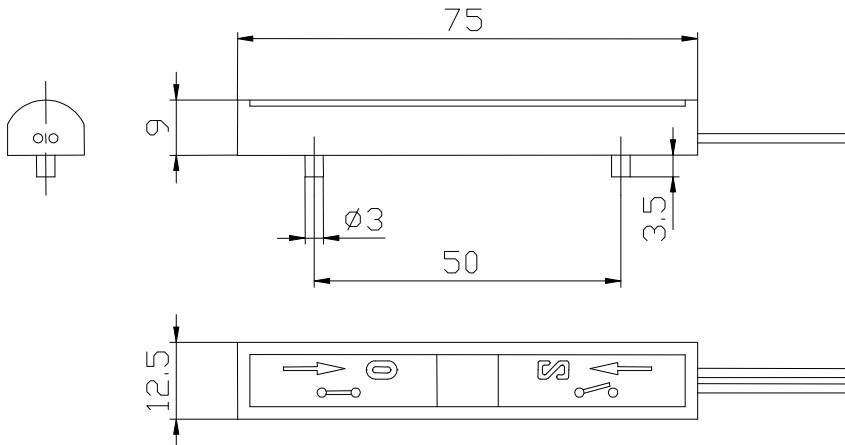


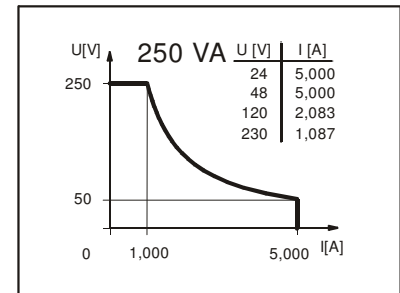
Technical Data

Float Switch

Description	Schaltmodul VST	Article number	4910007069
-------------	------------------------	----------------	-------------------



Performance diagram
(maximum data)



Technical Data (maximum data)

max. Voltage	250 V
max. Switch current	5,0 A
max. Switching	250 VA
Direction category	AC-21A and DC-21A ⁷ acc. to DIN VDE 0660 T107, IEC 947-3-1, EN 60947-3-1

**Pay attention to the contact protection, when switching inductive loads.
Maximum data must not be exceeded!**

Portection type	IP 65 acc. to DIN VDE 0470 T1, IEC 529, EN 60529
Switching function	1 bistable normally-open contact, falling level (wire on top)
The switching function N.O. or N.C. can be changed by turning the switching module by 180°.	
Temperature range	from -5°C to +100°C
mech. Lifetime	10 ⁷ to 10 ⁹ switches depending on the load

Reproducibility is ±0,05mm under same geometrical conditions according to one switch device.

Mechanical Data

Housing	PA
Mode of connection	2,1m, PVC-wire 2x0,56mm ²
Standard	acc. to DIN VDE 0660 T200, IEC 947-5-1, EN 60947-5-1

Other

The switching contacts have to be operated onetime before starting with regular use.	
Matching floats	Art.-No.: 494.5216.032, Ø52x55, PVC Art.-No.: 494.2299.023, Ø52x55, 1.4571

Subject to change without notice.