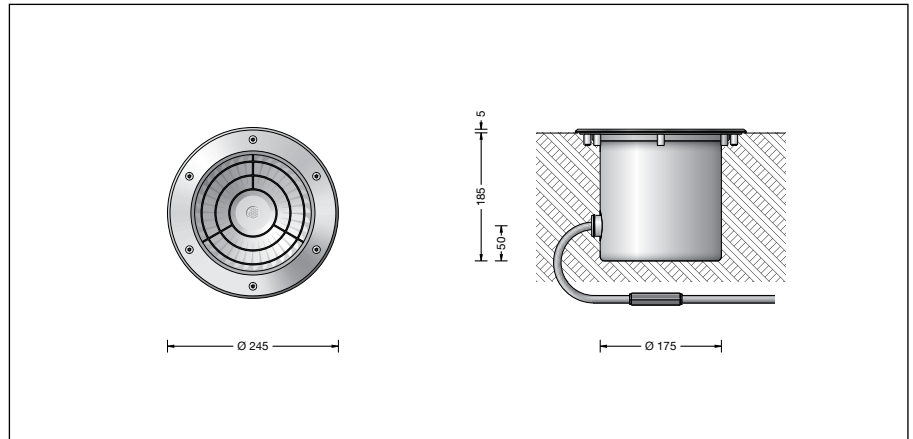


Project · Reference number

Date

**Application**


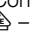
LED in-ground floodlight with symmetrical light distribution for embedding in gravel, lawns, flower beds, or in compacted surfaces.
Drive-over luminaire for vehicles with pneumatic tyres.

In the centre of the glass surface the luminaire attains an operating temperature of only 25 °C (measured according to EN 60598 - ambient temperature of t_a 15 °C).

Please note:

Luminaire must not be used for installation in road lanes, where the fixture is exposed to a horizontal strain due to braking, acceleration and change of direction.

Product description

Luminaire made of stainless steel
Steel grade no. 1.4301
Clear safety glass
Silicone gasket
Inlying ring louvre made of aluminium
Reflector made of pure anodised aluminium
1,8 m water-resistant connecting cable
07RN8-F 5G 1[□] with implemented water stopper and 1.2 m PVC cable conduit
LED power supply unit
220-240 V \sim 0/50-60 Hz
DC 176-280 V
DALI controllable
A basic isolation exists between power cable and control line
Safety class I
Protection class IP 68 10 m
Dust-tight and water pressure tight
Maximum submersion depth 10 m
Pressure load 2,000 kg (20 kN)
Impact strength IK10
Protection against mechanical impacts < 20 joule
Maximum surface temperature 25 °C (measured according to EN 60598 of t_a 15 °C)
CE – Conformity mark
  – Safety mark
Weight: 4.2 kg

Lamp

Module connected wattage 13.9 W
Luminaire connected wattage 16.2 W
Rated temperature $t_a = 25$ °C
Ambient temperature $t_{a \max} = 25$ °C

77 007

Module designation LED-0341/840
Colour temperature 4000 K
Colour rendering index $R_a > 80$
Module luminous flux 2550 lm
Luminaire luminous flux 967 lm
Luminaire luminous efficiency 59,7 lm/W

77 007 K3

Module designation LED-0341/830
Colour temperature 3000 K
Colour rendering index $R_a > 80$
Module luminous flux 2490 lm
Luminaire luminous flux 922 lm
Luminaire luminous efficiency 56,9 lm/W

Lifetime of the LED

Ambient temperature $t_a = 15$ °C
– at 50,000h: L90B10
– at 370,000h: L70B50

max. ambient temperature $t_a = 25$ °C
– at 50,000h: L90B10
– at 280,000h: L70B50

Inrush current

Inrush current: 5 A / 50 μ s
Maximum number of luminaires of this type per miniature circuit breaker:
B 10A: 30 luminaires
B 16A: 50 luminaires
C 10A: 52 luminaires
C 16A: 80 luminaires

Lighting technology

Half beam angle 23°.
Luminaire data for the light planning program DIALux for outdoor lighting, street lighting and interior lighting as well as luminaire data in EULUMDAT and IES format are available on the BEGA website www.bega.com.

Article No. 77 007

Colour temperature 4000 K.
Also available with 3000 K on request.
4000 K – article number
3000 K – article number + **K3**

Accessories

140225R Skid-blocking glass
BEGA skid-blocking glass with the highest rating R 13 according to DIN 51130 can be used without restriction for all public areas.
Abrasion resistance according to EN ISO 10545-7 Class 3

70 687 Installation housing

A separate instructions for use can be provided upon request.

70 730 Distribution box

The distribution box is meant for installation in the soil and allows a junction from the supply cable to the luminaire and through-wiring to the next luminaire.

After the electrical connection the distribution box is filled up with gel and closed.

Light distribution