



Ident-No. 130692

Order number 8040/1280X-01L13BA05-01L08BA05
Control Unit System Series ConSig 8040
2 pushbutton



Explosion protection

Global (IECEX)

IECEX certification **IECEX PTB 06.0025**

Ex de ia/ib [ia/ib] m II, IIA, IIB, IIC, T6, T5, T4

Ex tD A21 IP65 T80°C, T95°C

Gas explosion protection **PTB 01 ATEX 1105**

II 2 G Ex edqm ia/ib [ia/ib] II, IIA, IIB, IIC, T6, T5, T4

II 2 D Ex tD A21 IP65 T80°C, T95°C, T130°C

Certificates **IECEX, ATEX, Brazil (UL do Brasil), China (CQST Ex), Canada (CSA), Kazakhstan (GOST-K), Russia (GOST-R), Taiwan (ITRI), Ukraine (GOST-U), USA (UL), Belarus (GOST-B)**

Electrical data

Rated operational voltage max. 690 V AC V

Rated operational current depends on components used

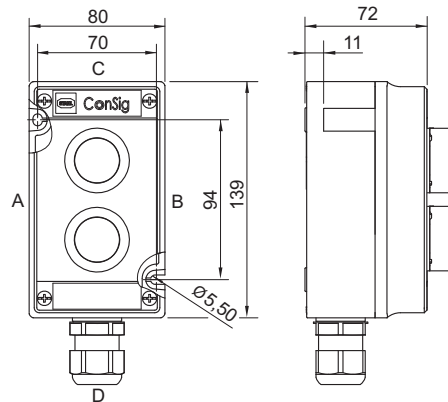
Mechanical data

Material

Enclosure material Polyester resin, glass-fibre-reinforced
Cover fixing with captive M4 stainless steel socket head cap screws
Seal PU foam
Ambient temperature - 50 ... + 60 °C
Weight 0.460 kg
Cable entry **1 x M 25 x 1,5; 8161 (in moulded material); Side D below**
Flanges **ohne Flansch und Metallplatte**
Degree of protection **IP66**

Dimensions

Dimension drawings (all dimensions in mm) - subject to alterations



We reserve the right to make alterations to the technical data, weights, dimensions, designs and products available without notice. The illustrations cannot be considered binding.