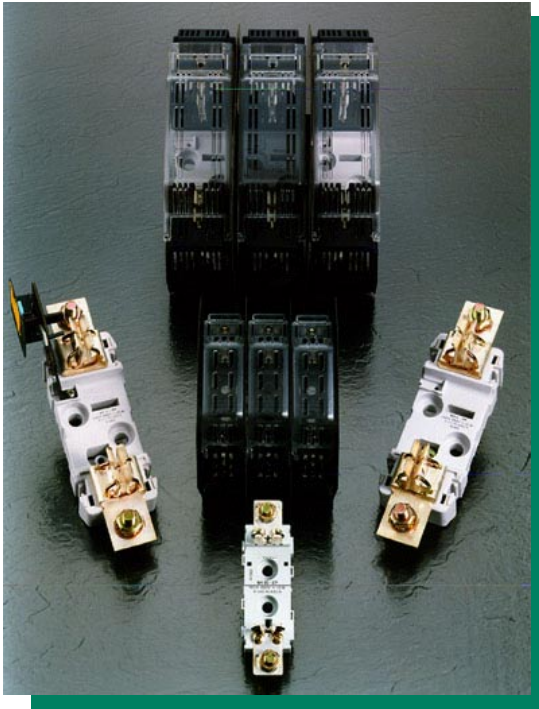


Blocks & Holders



NH Fuses

Plastic Bases



Lindner NH fuse bases are designed for fuse-links with rated voltages up to ~ 690 V and ~440 V. They are in compliance with IEC 60269, DIN VDE 0636, part 21, 201 and DIN 43620 (dimensions).

Lindner NH fuse bases are available for delivery in single-pole and three-pole designs and can be closely mounted in parallel rows. Each three-pole base is supplied with two phase-partition walls. NH-ISO plug-on covers which clip onto the contact springs can also be supplied for these bases.

Ceramic fuse bases in sizes 00 to 3 (see page 565) are provided with a single-part steatite base, while size 4 has a metal baseplate with 2 ceramic bases. Plastic fuse bases have a single-part plastic base.

The stable silver-plated contact springs are made of electrolytic copper and formed from one piece. Separate springing is provided by highly resilient captive steel springs, making the contact invulnerable to high thermal stress.

Lindner Size 4 NH fuse bases are designed for size 4 fuse-links with 8 mm contact blades. Size 4a fuse bases are designed for size 4a fuse-links with 6 mm contact blades.

CHARACTERISTICS

Thermoplastic base highly temperature resistant and self-extinguishable. Silver-plated contacts with high-contact pressure springs. Multipolar bases are possible by direct linkage in the 00 size and with separator accessory in sizes 0, 1, 2 and 3. A variety of options available for protecting active parts through the use of accessories: separating plates, separator, cover shields and fuse cover. Dual cable connection system on the 00 size: by screw or clamp. Fixation on rail or by screw.

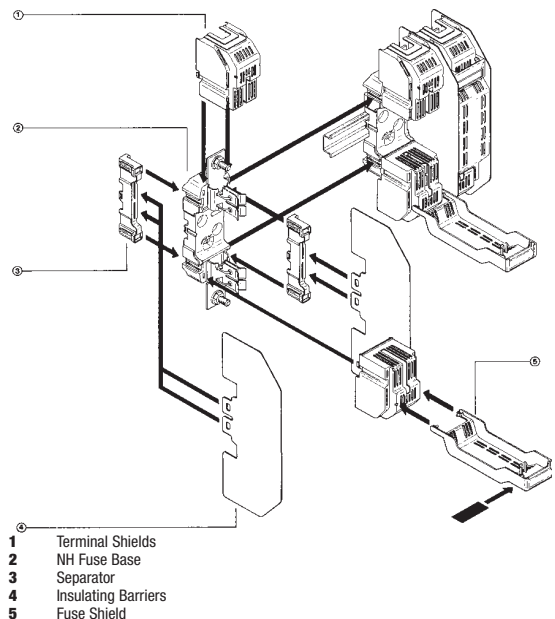
690V Polyester fuse bases Connection Detail for NH fuse-links

- ▶ Polyester insulating bases
- ▶ Silver-plated contacts
- ▶ High-pressure spring contacts (see picture)
- ▶ Screw or rail mount

Type EP



Type PP



1 Terminal Shields
 2 NH Fuse Base
 3 Separator
 4 Insulating Barriers
 5 Fuse Shield
Typical NH Polyester Fuse Base Assembly - Exploded View

Blocks & Holders



NH Fuses

Plastic Bases

00-EP/TP

Fuse bases for HRC fuse-links NH 690V

Thermoplastic base

Characteristics

- Thermoplastic base highly temperature resistant and self-extinguishable
- Silver-plated contacts with high-contact pressure springs
- Multipolar bases possible by direct linkage in 00 size and with separator accessory in sizes 0, 1, 2 and 3
- Variety of options for protecting active parts through use of accessories: separating plates, separator, cover shields and fuse cover
- Dual cable-connection system on 00 size: by screw or clamp
Connecting cable: 50 mm
- Fixation on rail or by screw

Size 1 fuse bases accept fuses size 0 and 1
 Size 2 fuse bases accept fuses size 1 and 2
 Size 3 fuse bases accept fuses size 1, 2 and 3
 Type EP fuse bases with square contacts
 Type PP fuse bases with clip contacts
 Fuse bases size 0, 1, 2, 3 must be used with reinforced symmetrical rail, ref. 45550

Type 00-EP* – Fuse bases for NH-00 Fuse-links

POLES	CATALOG NUMBER				REFERENCE NUMBER				PACK.
	SCREW CONNECTOR		CLAMP CONNECTOR		SCREW CONNECTOR		CLAMP CONNECTOR		
	SCREW MT.	RAIL MT.	SCREW MT.	RAIL MT.	SCREW MT.	RAIL MT.	SCREW MT.	RAIL MT.	
1	41002	42002	41102	42102	F215170	R216192	T219805	F200795	3
2	41012	42012	41112	42112	A217212	F218758	D200793	T211594	2
3	41014	42014	41114	42114	W229122	V219277	W201338	C212108	1
4	41019	42019	41119	42119	S219275	Z223007	R211592	M215682	1

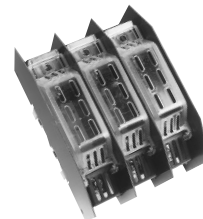
* EP bases have square contacts.



F215170



W229122

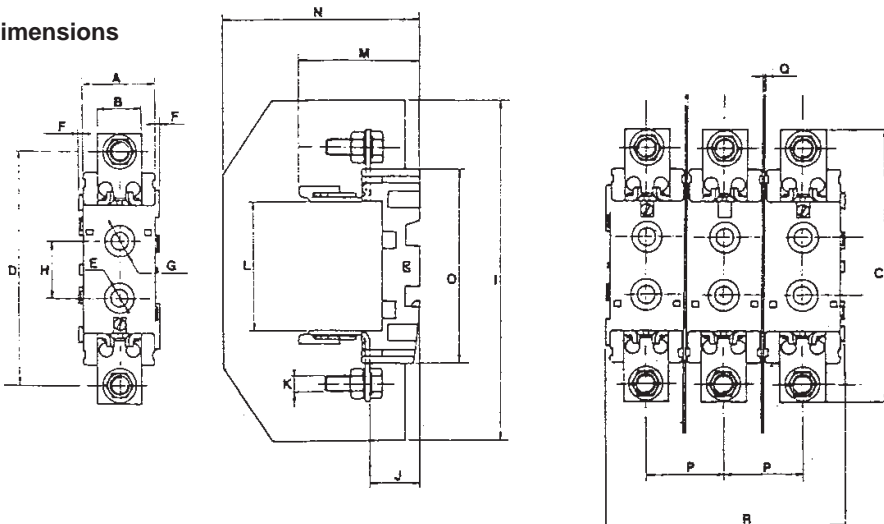


T229120

Type 00-TP IP20 Fuse bases

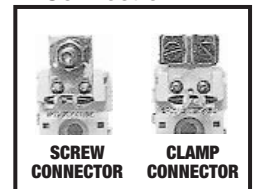
POLES	CATALOG NUMBER				REFERENCE NUMBER				PACK.
	SCREW CONNECTOR		CLAMP CONNECTOR		SCREW CONNECTOR		CLAMP CONNECTOR		
	SCREW MT.	RAIL MT.	SCREW MT.	RAIL MT.	SCREW MT.	RAIL MT.	SCREW MT.	RAIL MT.	
1	41003	42003	41103	42103	M216694	S218240	X223005	D211074	3
3	41015	42015	41115	42115	T229120	S229119	B211072	J215173	1

Dimensions



NH 00-E	
A	32
B	20
C	117
D	100
E	8
F	2
G	14
H	25
I	145
J	21,5
K	8
L	56
M	52
N	85
O	84
P	34
Q	1
R	104

Connection



SCREW CONNECTOR CLAMP CONNECTOR

Blocks & Holders



NH Fuses

Plastic Bases

0-EP - 0 to 3 PP

Type 0-EP* – Fuse Bases for NH-0 Fuse-links

POLES	CATALOG NUMBER		REFERENCE NUMBER		STANDARD PACK
	MOUNTING STYLE		MOUNTING STYLE		
	SCREW	DIN RAIL	SCREW	DIN RAIL	
1	41202	42202	B213142	S216193	3
2	41212	42212	C214661	P216696	2
3	41214	42214	G215171	C217214	1
4	41219	42219	Q216191	J217726	1

* EP bases have square contacts. PP bases have clips contacts.



S216193

Type 0-PP – Fuse Bases for NH-0 Fuse-links

1	41302	42302	N216695	T218241	3
2	41312	42312	B217213	G218759	2
3	41314	42314	G217724	W219278	1
4	41319	42319	R218239	H222486	1



F222484

Type 1-PP – Fuse Bases for NH-1 Fuse-links

1	41402	42402	E218757	A223008	3
2	41412	42412	F222484	G200796	2
3	41414	42414	Y223006	Y201340	1
4	41419	42419	X201339	H201855	1

Type 2-PP – Fuse Bases for NH-2 Fuse-links

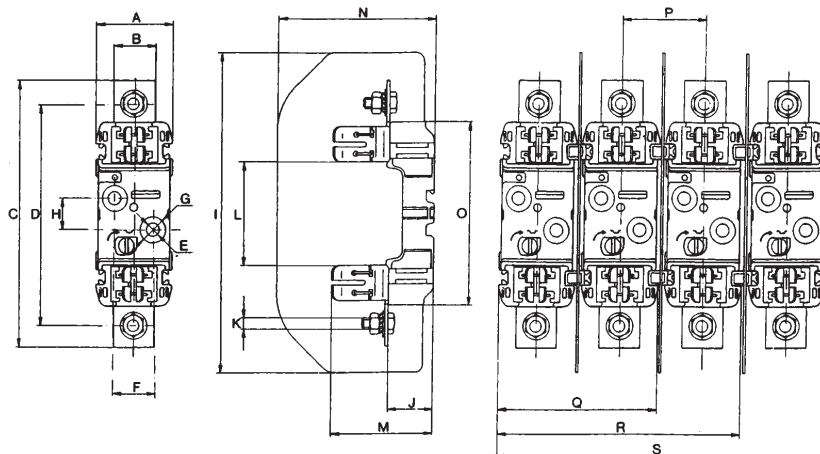
1	41502	42502	F201853	E211075	3
2	41512	42512	S211593	V211595	2
3	41514	42514	B212107	D212109	1
4	41519	42519	C213143	R212627	1



B212107

Type 3-PP – Fuse Bases for NH-3 Fuse-links

1	41602	42602	W213643	X213644	3
2	41612	42612	D214662	B214154	2
3	41614	42614	H215172	F214664	1
4	41619	42619	L215681	K215174	1



Dimensions of Polyester Fuse Bases for NH Fuse-Links

	0-EP	0-PP	1-PP	2-PP	3-PP
A	46	46	60	60	60
B	20	25	32	35	40
C	168	168	209	225	241
D	150.5	150.5	176	201	210
E	7.5	7.5	10.5	10.5	10.5
F	-	-	30	30	30
G	14.5	14.5	20.5	20.5	20.5
H	25	25	25	25	25
I	185	185	250	250	270
J	29	29	35	35	35
K	M8	M8	M10	M10	M12
L	74	75	81	81	81
M	59	61	71	89	103
N	95	95	122.5	122.5	142.5
O	122	122	146	146	146
P	48.5	48.5	65.5	65.5	81.5
Q	94	94	125.5	125.5	141.5
R	142	142	191	191	223
S	190	190	256.5	256.5	304.5

Blocks & Holders



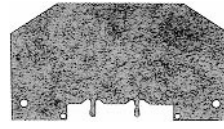
NH Fuses

Plastic Bases

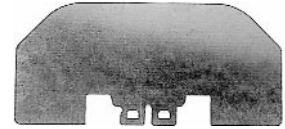
Sizes 00 to 3

Insulating Barriers for Polyester NH Fuse Bases

SIZE	RATED In CURRENT (A)	CATALOG NUMBER	REFERENCE NUMBER	STANDARD PACK
00	100	44502	W212654	2
0	160	44504	Z213669	2
1-2	400	44510	J214690	2
3	630	44512	Q215708	2



W212654



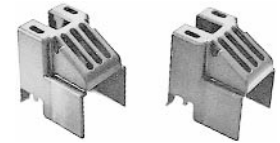
J214690

Separators

SIZE	CATALOG NUMBER	REFERENCE NUMBER	STANDARD PACK
0	44604	V216724	2
1-2	44610	N217753	2
3	44612	M218787	2



N217753



M222513

Fuse Shields

SIZE	CATALOG NUMBER	REFERENCE NUMBER
00	44802	G213170
00*		B233566
0	44804	F214181
0*		D233568
1-2	44810	K214691
1-2*		E233569
3	44812	R215709
3*		F233570



G213170

* for use of microswitch

Complete references

Terminal Shields

SIZE	CATALOG NUMBER	REFERENCE NUMBER	STANDARD PACK
00	44702	M222513	6
0	44704	K200822	6
1	44708	L201881	6
2	44710	Y211621	6
3	44712	X212655	6

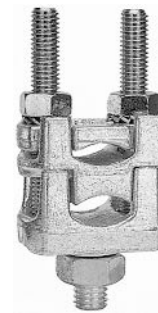
Finder safe protected screw connection for hole and base terminal for Din Rail	size					
	1	S218240	G226717	P226724	R226726	T226728
3	S229119	J226719	Q226725	S229727	V226729	

One Cable – Terminal for NH Bases

BASE SIZE	CABLE SIZE (mm)		CATALOG NUMBER	REFERENCE NUMBER	STANDARD PACK
	MAX.	MIN.			
00	50	6	45421	Q217755	60
00-0	95	10	45423	A218270	50
1	150	16	45425	N218788	30
2-3	240	50	45427	A219305	15



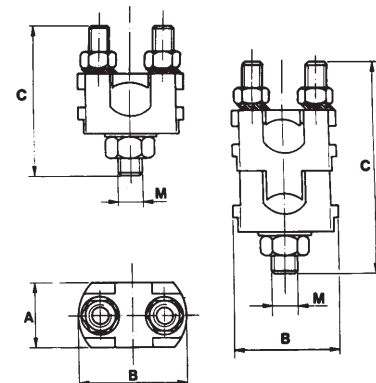
N218788



F223036

Two Cables – Terminal for NH Bases

BASE SIZE	CABLE 1 (Size mm)		CABLE 2 (Size mm)		CATALOG NUMBER	REFERENCE NUMBER	STANDARD PACK
	MAX.	MIN.	MAX.	MIN.			
00	50	6	50	6	45431	B219835	60
00-0	95	10	95	10	45433	P222515	30
1	150	25	150	16	45435	F223036	20
2-3	240	95	240	50	45437	B201366	5



Dimensions of Terminals

CATALOG NUMBER	A	B	C	M
45421	18	26	34	6
45423	24	35	52	8
45425	26	41	58	10
45427	36	53	68	12
45431	18	26	39	6
45433	24	35	82	8
45435	26	41	84	10
45437	36	53	98	12

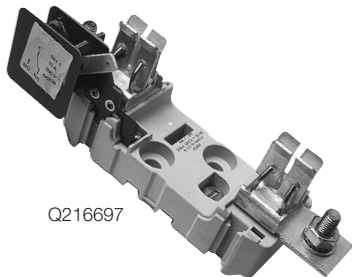
Blocks & Holders



Plastic Bases

Sizes 00 to 3

Fuse bases 690V for HRC fuse-links NH with striker

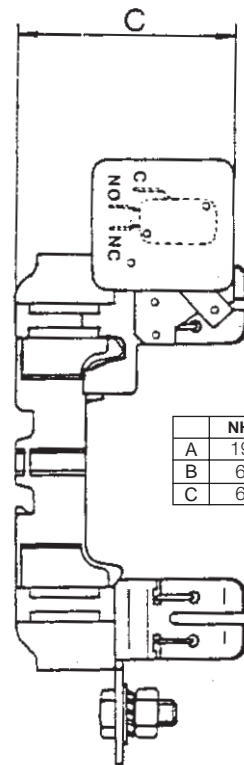
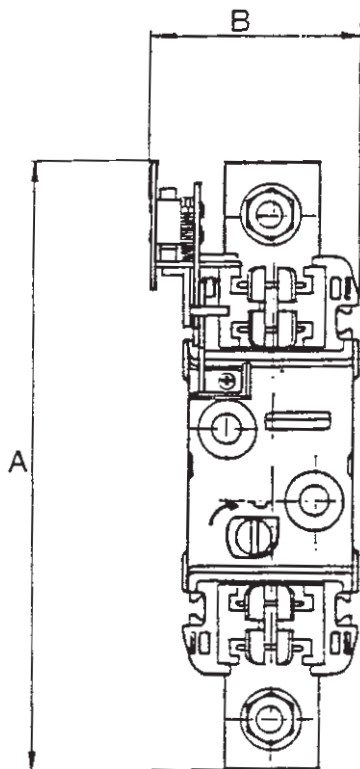


Q216697

- For fuse-links with striker
- Rail or screw fixing



Size	In (A)	Cat. Number	Ref. Number	Packing
0	160	42906	T216194	1
1	250	42908	Q216697	1
2	400	42910	D217215	1
3	630	42912	H218760	1

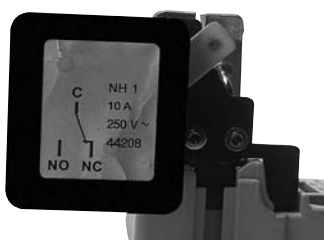


	NH-0	NH-1	NH-2	NH-3
A	192	213	222	233
B	64	93	73	80
C	66	77	82	83

Microswitch (sold separately)

- Microswitch for NH fuse bases in polyester material (screw or rail fixing).
- Microswitch operates when:
 - fuse melts
 - no fuse-link
- Operating voltage: 250 V~
- Rated current: 10 A.
- Terminal size: 6.3 x 0.8 mm.

Size	In (A)	Cat. Number	Ref. Number	Packing
0	160	44206	X219279	1
1	250	44208	Y219809	1
2	400	44210	J222487	1
3	630	44212	B223009	1



If you are interested in ordering microswitch and NH fuse base separately:

T218241 + X219279 same size as T216194 (size 0)

Blocks & Holders



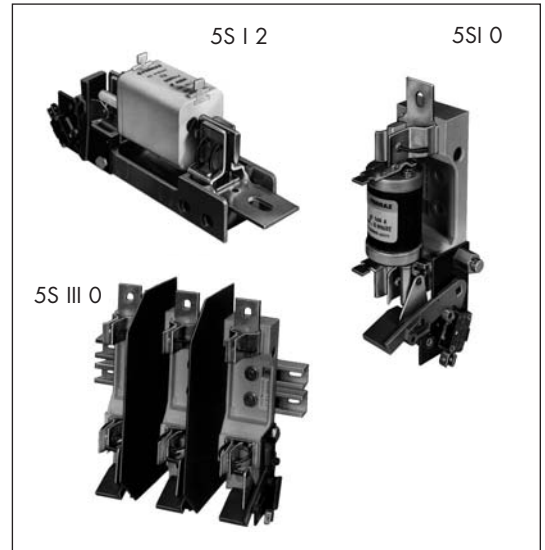
NH Fuses

Plastic Bases

5S - 00 to 4

FUSE HOLDERS
FOR BLADE-STYLE FUSES
SIZES: 00 - 0 - 1 - 2 - 3 - 4

- SHOCK-PROOF ASSEMBLY FOR HIGH THERMAL AND MECHANICAL WITHSTAND
- MOUNTING ON BASE WITH OR WITHOUT MICROSWITCH
- SELF-EXTINGUISHABLE FIBERGLASS POLYESTER BASE, SILVER-PLATED COPPER CLIPS WITH STAINLESS STEEL SPRINGS
- COMPLIANT WITH IEC 269.2.1 AND DIN 43620 STANDARDS



MAIN CHARACTERISTICS

Type and size	Voltage rating U_N (V)	Impulse withstand voltage U_{imp} (kV)	Fuse current rating I_N (A)	Maximum fuse operating current (A)					Recommended copper wire size (mm ²)	Fire and fumes class NFF 16-101 and 102 and UL	
				gG	aM	URGB	690V gRB	690V URB			
5S I 00	690		160	160	160	130			70	x	
5S I 0			125	160	160				50		
5S II 0			200					200	70		
5S III 0			250					240	95		
5S IV 0			315					285	120		
			350					315	185		
			400						240	UL 94 VO	
5S I 1			280			315	315			150	I3-F3
5S II 1			315						185		
5S III 1			350						185		
5S IV 1			400						240		
			450					450	2x30x5		
			500					475	2x30x5		
5S I 2			450			500	500			2x30x5	UL 94 VO
5S II 2			500						2x40x5		
5S III 2			550						2x40x5		
5S IV 2			630						2x40x5		
			700					550	2x50x5		
			800					600	2x50x5		
			900					665	2x60x5		
5S I 3	500							2x30x5	I2-F1		
5S II 3	550			630	630			2x40x5			
5S III 3	630							2x40x5			
5S IV 3	700							2x50x5			
	800							2x50x5			
	900					800	2x50x5				
	1000					855	2x60x5				
	1100					950	2x60x5				
5S I 4			1250	1250	1250			2x80x5			
							990				
							1070	2x80x5			

Blocks & Holders

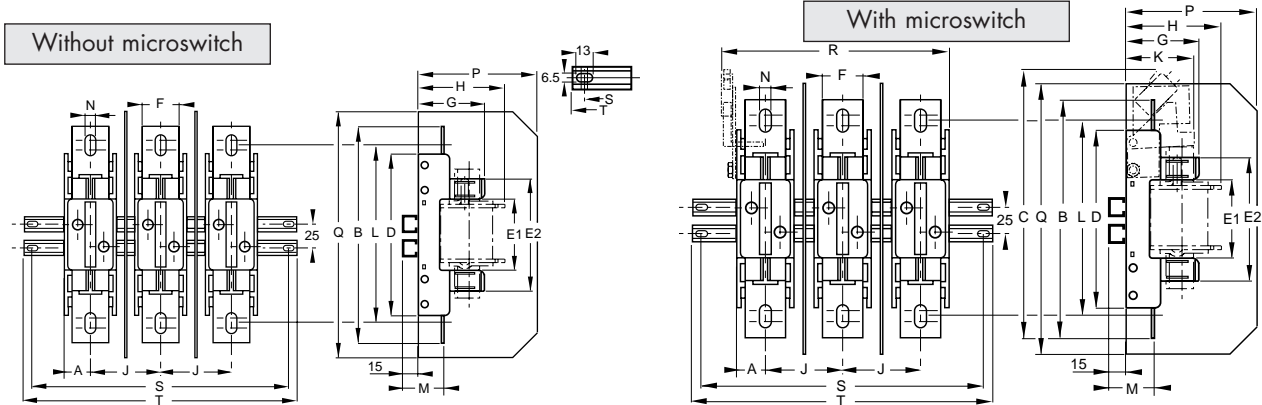


NH Fuses

Plastic Bases

5S - 00 to 4

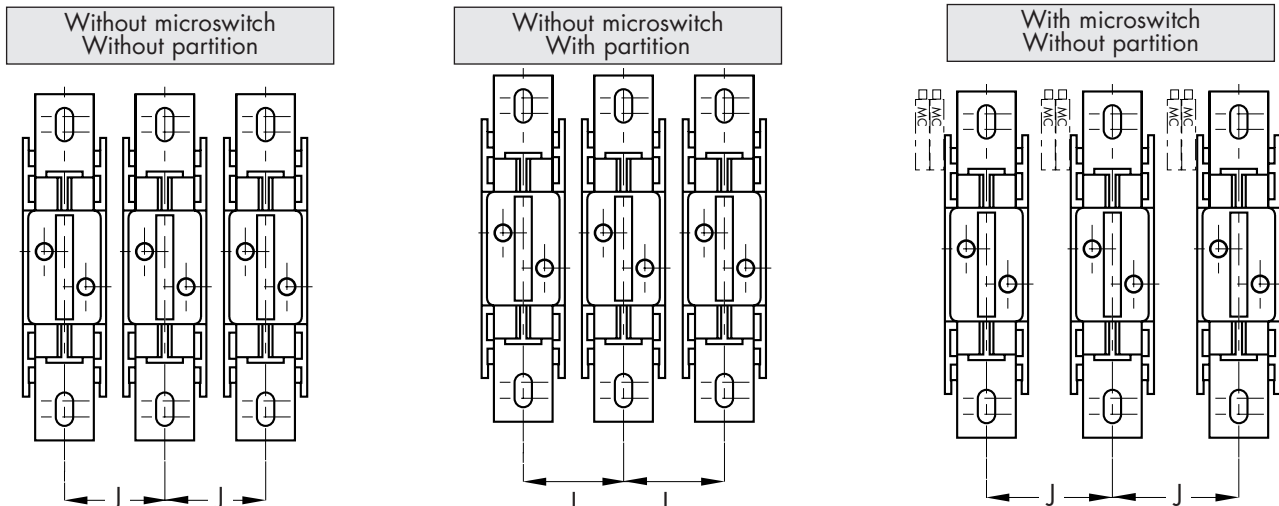
MULTIPOLAR FUSE-HOLDERS FOR BLADE-STYLE FUSES SIZES 0 - 1 - 2 - 3



	Size	A	B	C	D	E ₁	E ₂	F	G	H	J	K	L	M	N	P	Q	R			S			T		
		II	III	IV	II	III	IV	II	III	IV	II	III	IV													
Without microswitch (1)	0	23.5	177		133	77	121	25	64	87.5	47.5		150	40.5	8.5	95	190	94	142	192	126	179	222	147	200	243
	1	29.5	207		135	81.5	135.5	32	81.5	104.5	59.5		175	52	11	110	220	118	178	237	154	215	264	175	236	285
	2	29.5	244		181	83	134	40	83	108	67.5		200	42	11	120	270	118	178	237	154	222	287	175	243	308
	3	29.5	244		181	83	134	40	83	117	82.5		210	46.5	11	120	270	118	178	237	179	252	342	200	273	363
With microswitch	0	23.5	177	206	133	77	121	25	77	87.5	61.5	85	150	40.5	8.5	90	190	121.5	183	244.5	137	202	252	158	223	273
	1	29.5	207	220	181	81.5	135.5	32	81.5	104.5	73.5	85	175	52	11	110	220	145.5	219	292.5	165	242	308	186	263	329
	2	29.5	244	256	181	83	134	40	78	108	77.5	80	200	42	11	120	270	149.5	227	304.5	165	242	326	186	263	347
	3	29.5	244	256	181	83	134	40	83	117	85	80	210	46.5	11	120	270	157	242	327	179	264	342	200	285	363

(1) These products will be cancelled in 2001 (see plastic bases pages 469-472)

MULTIPOLAR CONFIGURATIONS WITH ONE-POLE FUSE-HOLDER ASSEMBLY



Size	J (mm)
00	40
0	50
1	62
2	70
3	85
4	120

Size	J (mm)	Catalog Number	Reference Number
00	-	-	-
0	48	CI 0	M 091344
1	60	CI 1	N 091345
2	68	CI 2+Ent.	P 091346
3	83	CI 3+Ent.	Q 091347
4	-	-	-

Size	J (mm)
00	-
0	61.5
1	73.5
2	73.5
3	85
4	120

Blocks & Holders



NH Fuses

Plastic Bases

5S - 00 to 4

ACCESSORIES



Accessory type	Size	Cat. Num.	Ref. Num.	Weight (g)	Packaging
simple microswitch	0	MC 2-5 T0-1	Q 091462	64	1
	1	MC 2-5 T0-1	Q 091462	64	1
	2	MC 2-5 T2-3	R 091463	64	1
	3	MC 2-5 T2-3	R 091463	64	1
twin microswitch	0	MC 2-9 T0-1	S 091464	70	1
	1	MC 2-9 T0-1	S 091464	70	1
	2	MC 2-9 T2-3	T 091465	73	1
	3	MC 2-9 T2-3	T 091465	73	1
isolating partition	0	CI 0	M 091344	37	2
	1	CI 1	N 091345	110	2
	2	CI 2+Ent.	P 091346	83	2
	3	CI 3+Ent.	Q 091347	83	2
pull-out handle	0				
	1				
	2	PMP	E 097708	160	1
	3				

MICROSWITCHES

Microswitches are designed to fit one-pole fuse-holders from size 0 to 4 enabling:

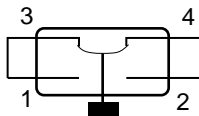
- blown-fuse indication
- fuse presence indication

Remote-sensing microswitches are single- or twin-reversing models with electrical features 220 V - 10 A - $\cos \varphi = 0.3$.

For size 0 to 3 fuse holders, microswitches delivered separately and side-mounted by means of an insert and special screw.

For size 4 fuse holders, microswitches factory assembled.

For multipolar fuse holders, a single microswitch is mounted for entire assembly.



With hand-reset style microswitch
#1 and 3 terminals must always be connected

Mounting of screw and insert



ISOLATING PARTITIONS

Isolating partitions fit fuse holders sizes 0 - 1 - 2 - 3. No partition is available for size 4.

Fitting of partitions:

- by direct snap-mounting for sizes 0 and 1 fuse holders
- by means of spacers for sizes 2 and 3

For multipolar assemblies, isolating partitions are mounted between each pole.



PULL-OUT HANDLE

For removing fuses, a pull-out handle snaps on the fuse lugs designed for this operation.



Blocks & Holders



NH Fuses

Ceramic Bases

Sizes 00 to 4



CHARACTERISTICS

- Insulating base of ceramic material
- Silver-plated contacts with high-contact pressure springs
- For size 4, pressure is assured by a special nut.

Size 1 fuse bases accept fuse sizes 0 and 1.

Size 2 fuse bases accept fuses size 1 and 2.

Size 3 fuse bases accept fuses size 1, 2 and 3.

Type EP fuse bases with square contacts.

Type PP fuse bases with clip contacts.

Fuse bases size 0, 1, 2, 3 must be used with reinforced symmetrical rail, ref. 45550.

690V CERAMIC fuse bases for NH fuse-LINKS

- › Ceramic insulating bases
- › Silver plated contacts
- › High spring contact pressure
- › Screw mounting
- › Standards : DIN43620, IEC269-2-1, NFC63210, 63211, 60200, VDE DIN0636



Y214151

Single-Pole Fuse Bases

SIZE	RATED CURRENT (A)	CATALOG NUMBER	REFERENCE NUMBER	STANDARD PACK
00-E	160	40002	Z217211	12
00-EB	160	40003	E217722	12
0-E	160	40004	P218237	4
0-P	160	40006	C218755	4
1-P	250	40008	R219274	3
2-P	400	40010	S219804	3
3-P	630	40012	D222482	3
4-P	1250	40014	W223004	1



Z217211



C218755

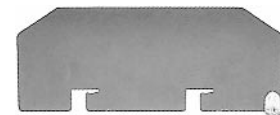
Three-Pole Fuse Bases

SIZE	RATED CURRENT (A)	CATALOG NUMBER	REFERENCE NUMBER	STANDARD PACK
00-E	160	40502	D201851	3
00-EB	160	40503	A211071	3
0-E	160	40504	Q211591	1
0-P	160	40506	Z212105	1
1-P	250	40508	T213641	1
2-P	400	40510	Y214151	1
3-P	630	40512	B214660	1

Notes: Size 1 fuse base will accept size 0 fuses.
 Size 2 fuse base will accept size 1 fuses.
 Size 3 fuse base will accept size 1 & 2 fuses.
 Size 4 has a special nut to assure contact pressure.
 Types E and EP have square contacts
 Types P and PP have pincer contacts
 Type EB has pressure-plate cable connection.



FRICITION FIT
K211103



TAB FASTENED
S215710

Insulating Barriers for Ceramic NH Fuse Bases

	SIZE	RATED CURRENT (A)	CATALOG NUMBER	REFERENCE NUMBER	STANDARD PACK
FRICITION FIT K211103	00	100	45102	A201365	10
	0	160	45104	M201882	10
	1-2	400	45110	K211103	4
	3	630	45112	Z211622	2
TAB FASTENED S215710	00	100	45202	G214182	10
	0	160	45204	L214692	10
	1-2	400	45210	Q215202	4
	3	630	45212	S215710	2
	4	1250	45214	Y216221	2

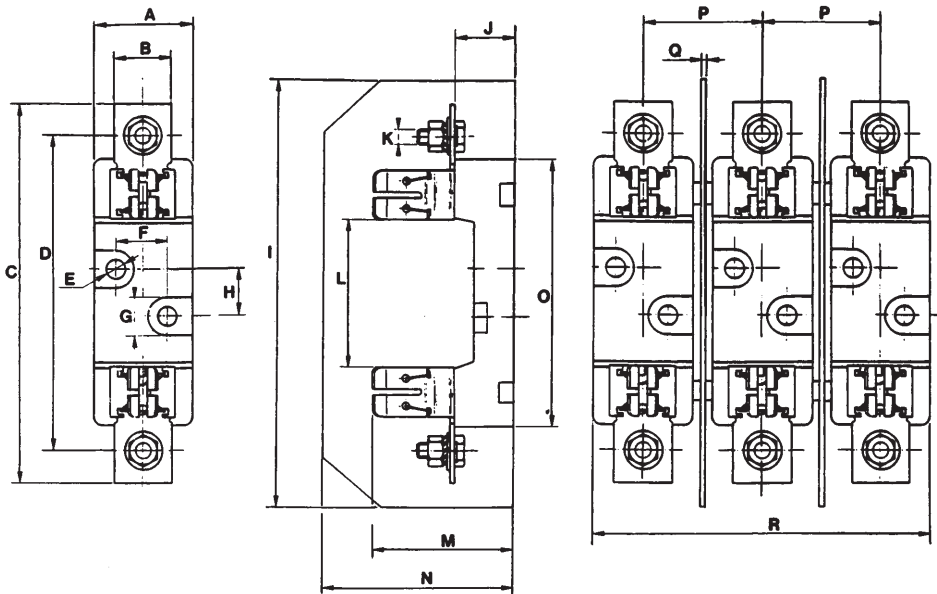
Blocks & Holders



NH Fuses

Ceramic Bases

Sizes 00 to 4



Dimensions of Ceramic Fuse Bases for NH Fuse-links

	00-E, EB	0-E	0-P	1-P	2-P	3-P	4-P
A	33	32	32	55	55	55	80
B	20	20	25	32	35	40	45
C	118.5	269	166	210	227	241	312
D	100	151	150	175	200	210	262
E	8	8.5	8.5	11	11	11	11
F	-	-	-	30	30	30	45
G	14.5	14	14	22	22	22	-
H	25	25	25	25	25	25	30
I	145	185	185	250	250	250	-
J	21.5	29	29	35	35	35	45
K	8	8	8	10	10	12	16
L	55	72	74	84	84	84	111
M	52.5	60	60	71	89	103	145
N	80	85	85	100	100	127	-
O	84	120	120	148	148	148	192
P	34	47	47	62	69	82	-
Q	1	2	2	2	2	2	-
R	101	126	126	177	190	213	-

Blocks & Holders



NH Fuses

Plastic Bases

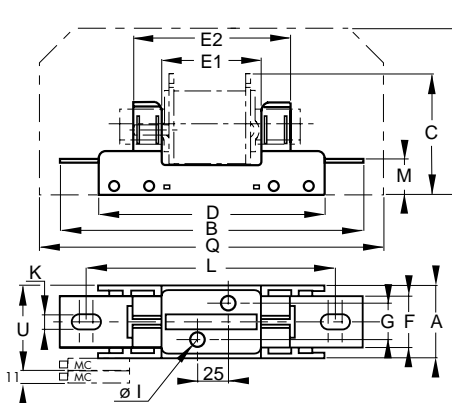
5S - 00 to 4

Size and number of poles	Fuse holders without indication(1)			Fuse holders with indication			Packaging
	Catalog Number	Reference Number	Weight (g)	Catalog Number	Reference Number	Weight (g)	
00	1	5S I 00	F 091706				3
0	1	5S I 0	G 091339	*			3
	2	5S II 0	Z 091378	5S II 0 MCN	H 091363	720	1
	3	5S III 0	R 091348	5S III 0 MCN	N 091368	975	1
	4	5S IV 0	X 091353	5S IV 0 MCN	T 091373	1230	1
1	1	5S I 1	H 091340	*			3
	2	5S II 1	A 091379	5S II 1 MCN	J 091364	1370	1
	3	5S III 1	S 091349	5S III 1 MCN	P 091369	2000	1
	4	5S IV 1	Y 091354	5S IV 1 MCN	V 091374	2630	1
2	1	5S I 2	J 091341	*			3
	2	5S II 2	B 091380	5S II 2 MCN	K 091365	2170	1
	3	5S III 2	T 091350	5S III 2 MCN	Q 091370	2900	1
	4	5S IV 2	Z 091355	5S IV 2 MCN	W 091375	3630	1
3	1	5S I 3	K 091342	*			3
	2	5S II 3	C 091381	5S II 3 MCN	L 091366	3030	1
	3	5S III 3	V 091351	5S III 3 MCN	R 091371	4170	1
	4	5S IV 3	A 091356	5S IV 3 MCN	X 091376	5310	1
4	1	5S I 4	L 091343	5S I 4+MC 2-5 T 4	G 091362	2590	3

* Models supplied in kit form: fuse holder + microswitch

(1) These products will be cancelled in 2001 (see plastic bases pages 469-472)

ONE-POLE FUSE HOLDERS FOR BLADE-STYLE FUSES SIZES 00 - 0 - 1 - 2 - 3

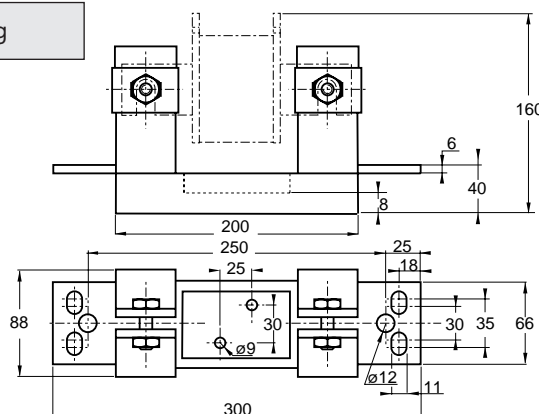


Elastic clamping

	A	B	C	D	E ₁	E ₂	F	G	øI	J ₁	J ₂	J ₃	K	L	M	P	Q	U
00	38	128	82	85	58	—	20	0	7.5	40	—	—	9	105	25.5	—	—	—
0	48	177	87.5	133	77	121	25	0	7	50	48	61.5	8.5	150	25.5	95	190	64
1	58.5	207	105	135	81.5	135.5	32	30	9	62	60	73.5	11	175	37	110	220	76
2	58.5	244	108	181	83	134	40	30	9	70	68	73.5	11	200	27	120	270	76
3	58.5	244	117	181	83	134	40	30	9	85	63	85	11	210	31.5	120	270	76

ONE-POLE FUSE-HOLDERS FOR BLADE STYLE FUSES, SIZE 4

Forced clamping



Blocks & Holders



NH Fuses

Special Fuse Bases



LV HRC (NH)
Ceramic fuse bases
~ 690 V/-440 V,
Triple pole

Size	Rating A	Connec. Cable Section mm ²	Description	Catalog Number	Reference Number	
------	----------	---------------------------------------	-------------	----------------	------------------	--

Screw fastening

1	250	150	screw	08141.000000	H201717	1
2	400	300	screw	08142.000000	D211971	1

Packing



LV HRC
Fuse base in load-breaking design
~ 690 V/-440 V,
Single pole
Rated switching capacity
8 x I_n, for LV HRC
Fuse-links size 4 a

4 a	1250		screw	08124.000000	E222161	1
-----	------	--	-------	--------------	---------	---



LV HRC (NH)
Busbar fuse-base,
~ 690 V/-440 V, triple pole
with 6 outputs;
Input contacts each connected in
parallel to one infeed, providing six
fuse-protected outputs.

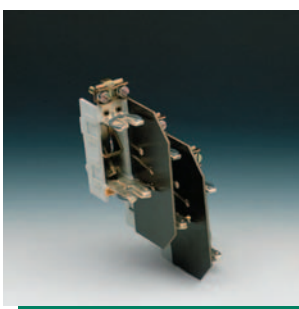
00	160	Cu 70. Al 95	Clamp	08094.200000	Z201203	2
----	-----	--------------	-------	--------------	---------	---



LV HRC (NH)
Busbar fuse-base,
~ 690 V/-440 V,
Single pole

00	160	Cu 70. Al 95	Clamp	08091.200300	A213555	3
----	-----	--------------	-------	--------------	---------	---

Including one partition wall



Triple pole,
produced by connecting three
single pole bases: consecutively at
one level or stepped for 40 mm
busbar systems

00	160		Clamp	3 x 08091.200300	3 x A213555	
----	-----	--	-------	------------------	-------------	--

Blocks & Holders

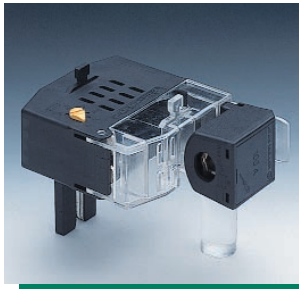


NH Fuses

Fuse Base Accessories



Clamp covers
for busbar fuse-base
8091.2003



LV HRC (NH)
Repair fuse-base
~ 690 V/-440 V,
Mountable on normal fuse-bases



LV HRC
Disconnecting
knife with voltage-free
handle tags
for LV HRC bases as per
DIN 43620 part 3

without voltage-free
handle tags



LV HRC fuse link pull handle
with hand protections as per
DIN 43620 part 4 and
VDE 0680 part 4

LV HRC arm cuff total length
350 mm, with cover and snap
button fastener, suitable for
subsequent mounting.



LV HRC (NH) barriers
for use in fuse-bases
as per DIN 43620 part 4



Protective helmet
as per DIN 4840
with interior supporting
head band and webbing,
without protective shield

Size	Rating A			Catalog Number	Reference Number	Packing
------	----------	--	--	----------------	------------------	---------

for input side

00	160			08091.900300	F218666	20
----	-----	--	--	--------------	---------	----

for output side

00	160			48130.000000	Y219717	20
----	-----	--	--	--------------	---------	----

00	100	long contact		08018.000000	T212537	3
00	100	short contact		08019.000000	E213053	3

Size	Rating A	Description	Catalog Number	Reference Number	Packing
00	160	voltage-free	08009.000080	W216058	10
0	160	voltage-free	08010.000080	J217082	5
1	250	voltage-free	08011.000080	Y218107	5
2	400	voltage-free	08012.000080	E200656	5
3	630	voltage-free	08013.000080	J201718	5
00	160	spannungsführend	08009.000000	Y211506	15
0	250	spannungsführend	08010.000000	D212017	3
1	250	spannungsführend	08011.000000	V212538	9
2	400	spannungsführend	08012.000000	B213556	6
3	630	spannungsführend	08013.000000	B213556	6
4	1250	zum Anschrauben	08014.000000	E211972	3
4 a	1250	for disconnec.model	08015.000000	A214061	1

00 bis 4		without arm cuff	08022.000000	P215592	1
00 bis 4		with arm cuff	08024.000000	X216105	1

		for commercial-size LV HRC fuse link pulling handle	08029.000000	T218149	1
--	--	--	--------------	---------	---




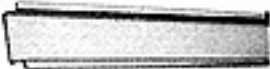
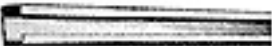



00			08016.000000	H214574	5
1/2/3			08017.000000	P215086	3

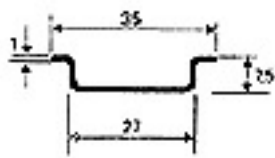
		For electricians	08025.000000	T216608	1
		Accessory: protective shield	08027.000000	F217125	1

Blocks & Holders

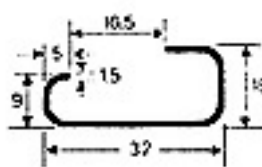
NH Fuses / French ferrule

Mounting Rail

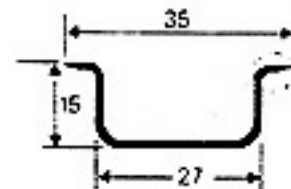
		Catalog Number	Reference Number
	Symmetrical	45510	J213172
	Symmetrical drilled	45520	C213672
	Asymmetrical	45530	H214183
	Asymmetrical drilled	45540	M214693
	Symmetrical reinforced	45550	R215203
	Squared 20x10	45560	Z216222
	Squared drilled 20x10	45570	Y216727
	Squared 40x20	45580	L217245
	Squared drilled 40x20	45590	R217756



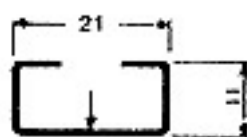
C213672



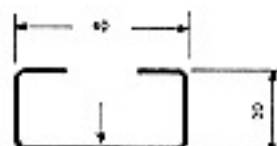
M214693



R215203



E: 1,5 mm
Y216727



E: 1,5 mm
R217756

Approvals: DIN 46277/1, DIN 46277/3, EN 50022, EN 50035