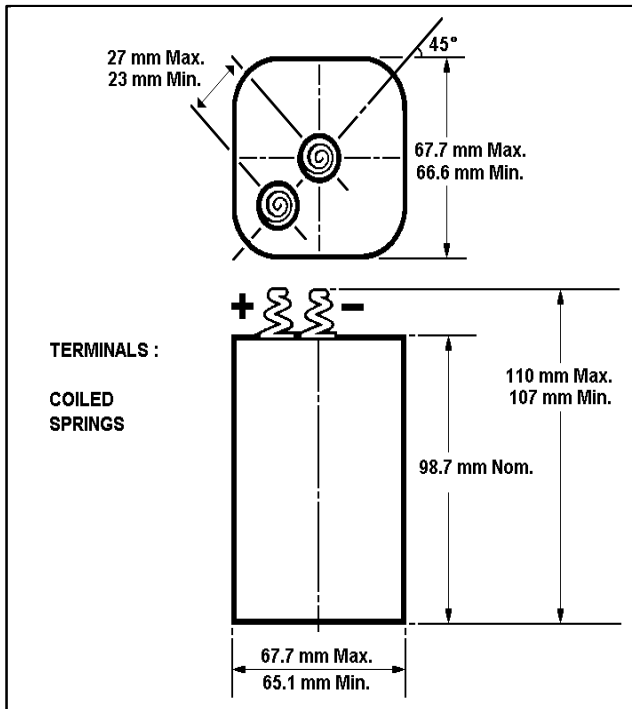


Alkaline Manganese Dioxide Battery



SPECIFICATIONS

Minimum No Load Voltage:	6 V
Minimum On Load Voltage:	5.4V on 120hms at 200

Minimum Life	38.9 H 15 Ohms Hr/Day 3.2 V
--------------	-----------------------------

Rated Capacity	13000 mAh on 150hms to 3.2V
----------------	-----------------------------

Volume	487 cm ³
--------	---------------------

Weight	612g
--------	------

Physical Size in mm	Max	Min
Height/Length	110	107
Width/Diameter	67.7	66.6
Depth	67.7	65.1

Typical Discharge Characteristics

