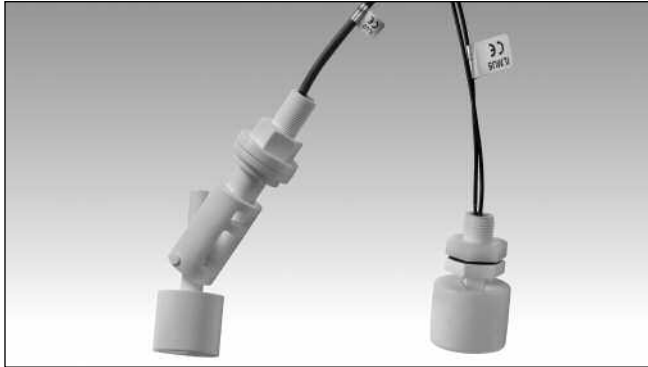


# Proximity Magnetic sensors Level Magnetic Sensors ILMPU, ILU and ILMU Series

CARLO GAVAZZI



- Cylindrical, non toxic polypropylene or plastic housing
- NO, NC or CO output functions
- Reversible output function by sensor housing over turning
- PVC or silicone cable output connection
- Horizontal mounting

## Product Description

The ILU and ILMPU models, for horizontal mounting, are made in non-toxic polypropylene. The ILMU model, for horizontal mounting, is made in plastic material.

The ILMPU model, the smallest one, can be used both as a NO and NC function depending on mounting direction.

## Ordering Key

**ILU S2**

Type \_\_\_\_\_  
Reed contact type \_\_\_\_\_

## Type Selection

| Float diameter | Connection             | Output function | Reference      |
|----------------|------------------------|-----------------|----------------|
| Ø 17.5         | Silicone cable L= 0.3m | NO, NC*         | <b>ILMPU 5</b> |
| Ø 31           | Silicone cable L= 0.3m | NO, NC*         | <b>ILMU 5</b>  |
| Ø 45           | Silicone cable L= 0.5m | NO              | <b>ILU 2</b>   |
| Ø 45           | Silicone cable L= 0.5m | NO              | <b>ILU 8</b>   |
| Ø 45           | Silicone cable L= 0.5m | CO              | <b>ILU S 2</b> |

Diameters are specified in millimeters (mm)

\*Reversible output function by sensor housing overturning

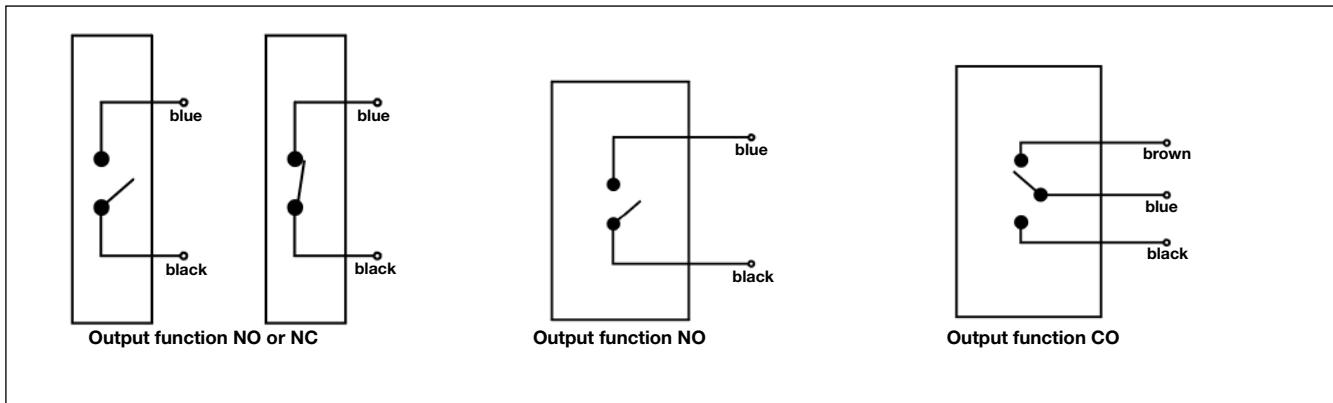
## Output Specifications

|   |  |
|---|--|
| <b>Output</b><br>ILMPU5, ILMU5<br>ILU2, ILU8<br>ILUS2   | NO, NC<br>NO<br>Change-over  |
| <b>Contact ratings</b><br>Max Switching Voltage<br>ILU2<br>ILMPU5, ILMU5<br>ILU8<br>ILUS2<br>Max Switching Current<br>ILU2<br>ILMPU5, ILMU5<br>ILU8<br>ILUS2<br>Max Switching Power<br>ILU2<br>ILMPU5, ILMU5<br>ILU8<br>ILUS2 | 250 VAC<br>240 VAC, 200 VDC<br>1000 VAC<br>230 VAC<br>3 A<br>0.5 A<br>3 A<br>1 A<br>100 VA<br>50 VA<br>120 VA<br>60 VA |

## General Specifications

|  |   |
|--|---|
| <b>Operating temperature</b><br>ILMPU5, ILMU5<br>ILU2, ILU8, ILUS2           | -20 to +80 °C<br>-25 to +100 °C                                       |
| <b>Degree of protection</b>  | IP 68 (cable output IP67)   |
| <b>Float</b><br>Diameter<br>ILMPU5<br>ILMU5<br>ILU2, ILU8, ILUS2<br>Material | Ø 17.5 mm<br>Ø 31 mm<br>Ø 45 mm<br>non toxic polypropylene or plastic |
| <b>Min liquid specific gravity</b><br>ILMPU5, ILMU5<br>ILU2, ILU8, ILUS2     | 0.70 kg/dm <sup>3</sup><br>0.75 kg/dm <sup>3</sup>                    |
| <b>Max pressure</b><br>ILMPU5, ILMU5<br>ILU2, ILU8, ILUS2                    | 2 kg/cm <sup>2</sup><br>100 kg/cm <sup>2</sup>                        |
| <b>CE-marking</b>  | Yes   |

## Wiring Diagrams



## Dimensions

