

plug - with TE screw terminals, for harsh applications

Product description

Order number	2189
EAN/pcs	4024941021890
Product Group	TE plug with Multi-Grip cable gland
Amperage	63A
Poles	5p (3p+N+PE)
Earth 'Clock' Position	6 h
Voltage	200/346 up to 240/415V
Frequency	50 and 60Hz
Protection	IP67
Color code	red RAL 3000
Connection Design	screw terminal as box terminal
Max. conductor	16,0 mm ²

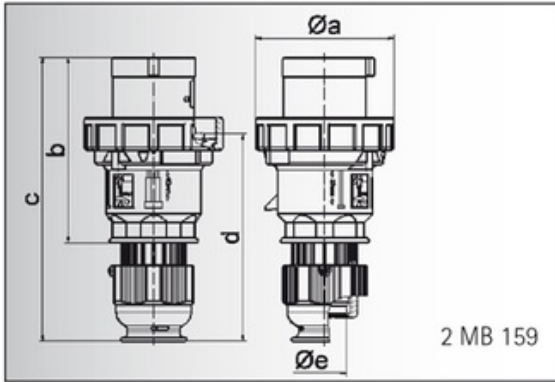


Further Information

Additional technical information	Multi-Grip cable gland with gasket, integrated cable clamp and additional water evacuation openings For cable diameter from 16 up to max. 36 mm Screwless housing connection
----------------------------------	--

Material

Material of Enclosure	Polyamide
Contact / Contact Carrier	contact carrier made of high temperature resistant material, contacts and box terminals are brass nickel plated
Weight/pcs	0.705 kg



Ampere	63	63	63
Polzahl	3	4	5
a ø	113,5	113,5	113,5
b	153,0	153,0	153,0
c	233,0	233,0	233,0
d	171,0	171,0	171,0
e ø	36,0	36,0	36,0
Leiter mm ² min	6	6	6
Leiter mm ² max	16	16	16