

LEDVANCE® Linear 600 Power 10W

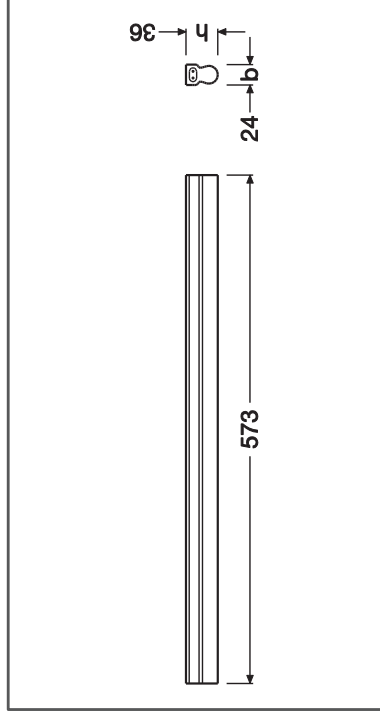
Product Information Sheet

¹Compared to luminaires with standard technologies. The possible power loss of traditional control gear solutions is part of the calculation of the anticipated energy savings.



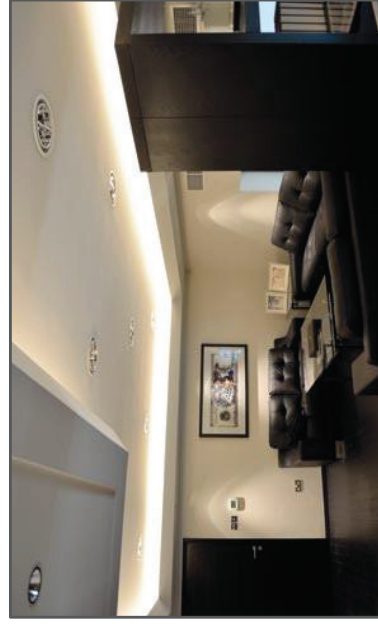
Linear

SAVE¹
45%
ENERGY



Benefits

- Compact dimensions
- Easy to install in two different mounting angles
- Energy savings of up to 45% compared to conventional linear luminaires
- Complete mounting and connecting accessories included
- Rows of up to 10 luminaires possible
- High light output system
- For seamless lines of light without dark spots



Recommended Applications

- General indoor illumination
- Corridors, Entrance lighting
- Accent lighting, Public areas
- Cove lighting
- Shelves, furniture integration or under cabinet lighting
- Seamless linear lighting

The most important technical data

System Wattage	10W
Luminous Flux	1000lm
System Efficiency	100 lm/W
Input Voltage	230V
Input Frequency	50/60 Hz
Colour Temperature	3000K / 4000K
CRI	>80
Beam Angle	140°
IP	20
IK	2
Protection Class	II
SDCM	≤5
Service Life (L70/B50)	30000h
Ambient Temperature	-20 ... +40
LED Driver	yes
Power Factor	> 0.5
Dimming	no
LED Type	SMD
Product Weight	0.3 kg
Dimensions: (l*w*h or Ø*h)	573x24x36
Housing Material	Polycarbonate
Housing Colour	white
Cover Material	PC
Accessories (Included)	yes
Replaces Traditional Equivalent	2x18 W
Certifications	CE, CB, TÜV
Warranty	3 years
GTIN (EAN)	4058075000360 (3000K) 4058075000384 (4000K)