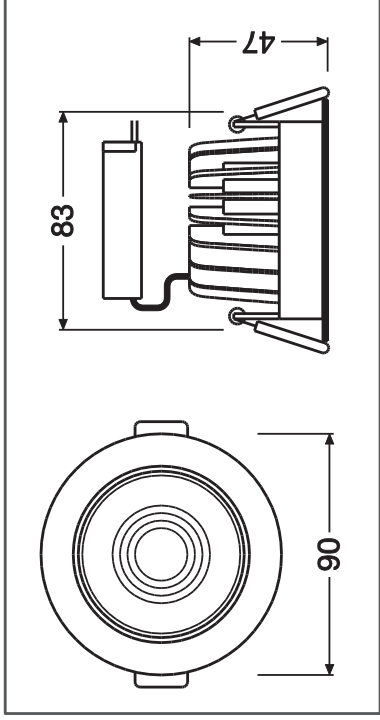


LEDVANCE® Spot 8W

Product Information Sheet

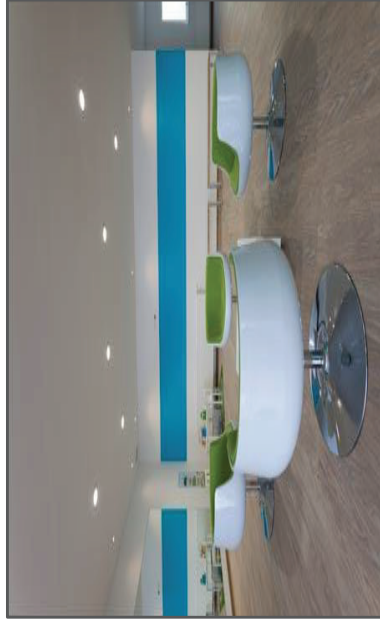
¹Compared to luminaires with standard technologies. The possible power loss of traditional control gear solutions is part of the calculation of the anticipated energy savings.



Benefits

- Direct replacement for HAL spots 75W
- Common family design with LEDVANCE® Downlights
- Energy savings up to 90 %
- Functional and minimal design while easy to install
- Adjustable angle of the Spot (20°)
- Advanced flexibility due to external driver (included)

DALI recommendation: OSRAM OTi DALI 15/220-240/1A0 LT2 (GTIN: 4052899324879)



Recommended Applications

- Hotel rooms
- Bars, Restaurants
- Accent lighting
- Galleries, Museums
- General illumination
- Residential interiors



SAVE¹
90%
ENERGY

Downlight

The most important technical data

System Wattage	8W
Luminous Flux	660 / 720lm
System Efficiency	85 / 90 lm/W
Input Voltage	230V
Input Frequency	50/60 Hz
Colour Temperature	3000K / 4000K
CRI	>80
Beam Angle	36°
Tilt Angle	20°
IP	20
Protection Class	II
SDCM	≤4
Service Life (L70/B50)	30000h
Ambient Temperature	-20 ... +45
LED Driver	no
Power Factor	> 0.9
Dimming	no
LED Type	COB
Product Weight	0.2 kg
Dimensions: (l*w*h or Ø*h)	Ø90x47
Ceiling Thickness	3-20mm
Ceiling Cut Out	83
Housing Material	Aluminum
Housing Colour	white
Cover Material	PMMA
Accessories (Included)	no
Replaces Traditional Equivalent	75 W
Certifications	CE, CB, TÜV
Warranty	3 years
GTIN (EAN)	4058075000162 (3000K) 4058075000186 (4000K)