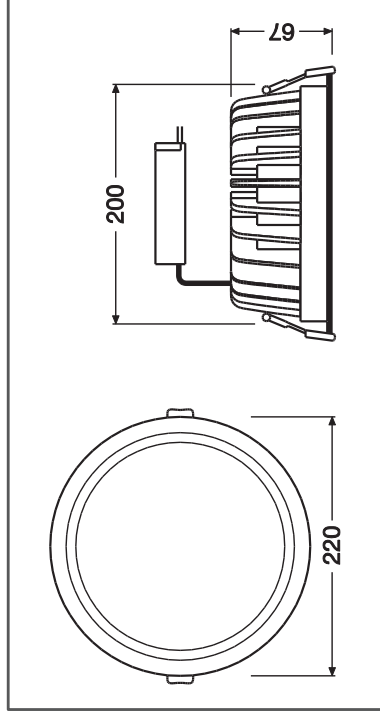


LEDVANCE® Downlight 25W

Product Information Sheet

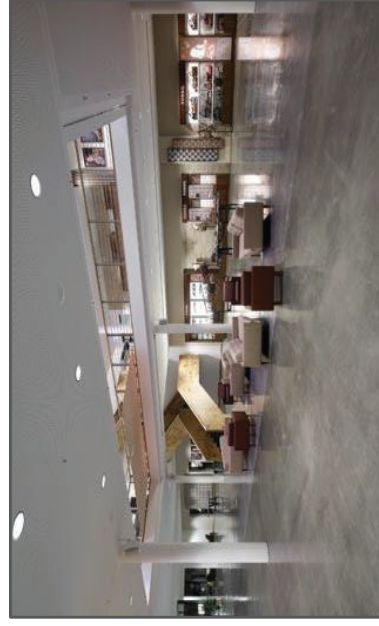
¹Compared to luminaires with standard technologies. The possible power loss of traditional control gear solutions is part of the calculation of the anticipated energy savings.



Benefits

- Direct replacement for CFL downlights with 2x26W
- Common family design with LEDVANCE® Spots
- Energy savings up to 50 %
- Homogeneous light distribution
- Functional design
- Advanced flexibility due to external driver (included)

DALI recommendation: OSRAM OTI DALI 25/220-240/700 LT2 (GTIN: 4052899919457)



Recommended Applications

- Public areas
- Stairways
- Corridors
- Foyers
- Shops



SAVE¹
50%
ENERGY

Downlight

The most important technical data

System Wattage	25W
Luminous Flux	2220 / 2340 / 2440lm
System Efficiency	90 / 95 / 100 lm/W
Input Voltage	230V
Input Frequency	50/60 Hz
Colour Temperature	3000K / 4000K / 6500K
CRI	>80
Beam Angle	100°
IP	20
Protection Class	II
SDCM	≤6
Service Life (L70/B50)	30000h
Ambient Temperature	-20 ... +45
LED Driver	no
Power Factor	> 0.9
Dimming	no
LED Type	SMD
Product Weight	1.1 kg
Dimensions: (l*w*h or Ø*h)	Ø220x67
Ceiling Thickness	3-20mm
Ceiling Cut Out	200
Housing Material	Aluminum
Housing Colour	white
Cover Material	PMMA
Accessories (Included)	no
Replaces Traditional Equivalent	2 x 26 W
Certifications	CE, CB, TÜV
Warranty	3 years
GTIN (EAN)	4058075000063 (3000K) 4058075000087 (4000K) 4058075000100 (6500K)