

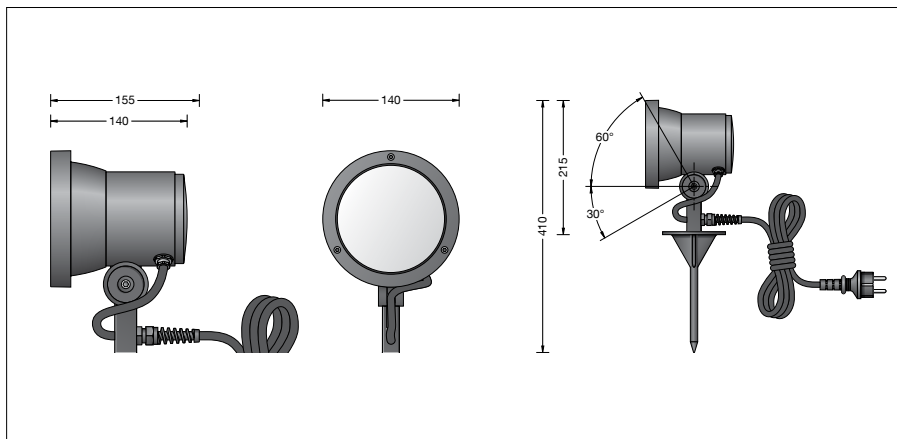
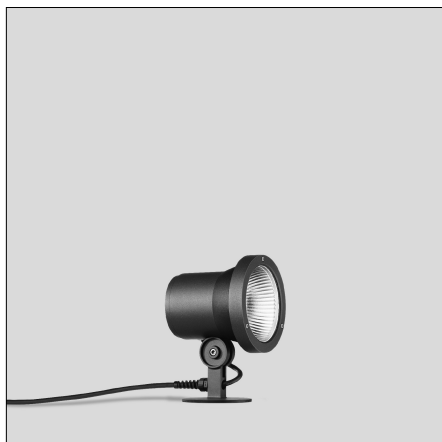
BEGA**77 326**

Floodlight



Project · Reference number

Date



Product data sheet

Application

LED floodlight with earthspike, connecting cable and safety plug for portable installation.

Product description

Floodlight made of aluminium alloy, aluminium and stainless steel
 Earth spike made of UV-resistant glass - fibre reinforced polyamide synthetic
 Clear safety glass
 Silicone gasket
 Reflector made of pure anodised aluminium
 Swivel range $-30^{\circ}/+60^{\circ}$
 Ready for connection with 5 m connecting cable H05RN-F 3G 1[□] and mains plug.
 LED power supply unit
 220-240 V \sim 0/50-60 Hz
 Safety class I
 Protection class safety plug IP X4
 Protected against splash water
 Protection class luminaire IP 65
 Dusttight and protected against water jets
 Impact strength IK07
 Protection against mechanical impacts < 2 joule
 – Safety mark
 – Conformity mark
 Weight: 1.9 kg

Lamp

Module connected wattage 12.9 W
 Luminaire connected wattage 15 W
 Rated temperature $t_a = 25^{\circ}\text{C}$
 Ambient temperature $t_{a\text{max}} = 55^{\circ}\text{C}$

77 326 K4

Module designation LED-0623/940
 Colour temperature 4000 K
 Colour rendering index CRI > 90
 Module luminous flux 1550 lm
 Luminaire luminous flux 1259 lm
 Luminaire luminous efficiency 83,9 lm/W

77 326 K3

Module designation LED-0623/930
 Colour temperature 3000 K
 Colour rendering index CRI > 90
 Module luminous flux 1495 lm
 Luminaire luminous flux 1215 lm
 Luminaire luminous efficiency 81 lm/W

Service life · Ambient temperature

Rated temperature $t_a = 25^{\circ}\text{C}$
 LED psu: > 50,000 h
 LED module: > 200,000 h (L 80 B 50)
 100,000 h (L 90 B 50)

Ambient temperature $t_{a\text{max}} = 55^{\circ}\text{C}$ (100 %)

LED psu: 50,000 h
 LED module: 44,000 h (L 80 B 50)
 68,000 h (L 70 B 50)

Light technique

Broad spread light distribution.
 Half beam angle 46°
 By changing the diffuser lense it is possible to alter the symmetrical light distribution into a flat beam light distribution.
 Luminaire data for the light planning program DIALux for outdoor lighting, street lighting and indoor lighting, as well as luminaire data in EULUMDAT and IES format are available on the BEGA website at www.bega.com.

Article No. 77 326

LED colour temperature optionally 4000 K or 3000 K
 4000 K – Article number + **K4**
 3000 K – Article number + **K3**

Accessories

70 756 Shield
70 055 Exchangeable lens flat beam

Permanent connecting pillar
70 375 with 2 socket outlets
70 376 with 1 socket outlet + 1 switch
70 377 with 4 socket outlets
70 378 with 3 socket outlets + 1 switch

For the accessories a separate instructions for use can be provided upon request.

Light distribution