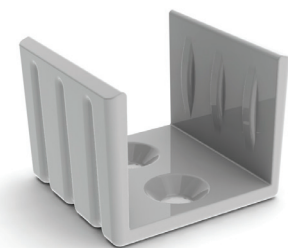
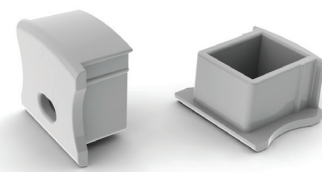


AL-SL15
AB-SL
MC-SL15
EC-SL15



MC-SL15
Mounting Bracket



EC-SL15
End Caps

SLIM LINE 15 mm

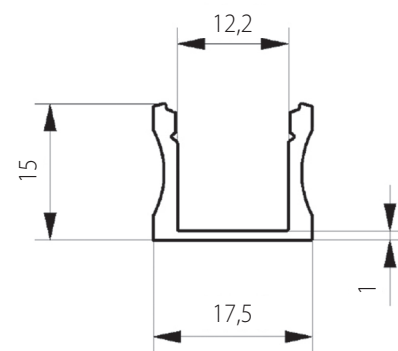
SL15; 15 x 17,5mm

FEATURES:

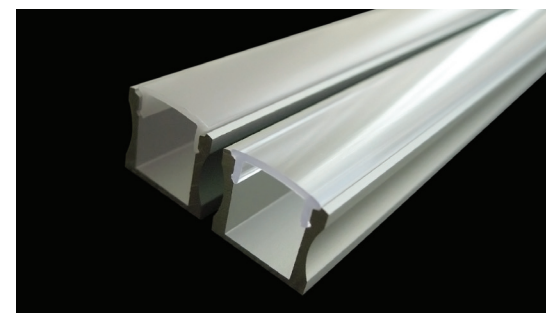
- High quality diffuser, placing/removing from front on click
- Led dots free profile (frosted)
- Walk on safe diffuser, UV resistant polycarbonate diffuser
- Available with 50% frosted, frosted and transparent diffuser
- LED dots free on frosted diffuser (high density LED's ribbon)
- Made from anodizing aluminum
- Suitable for low/high power led bars
- Available lengths – 1m, 2m
- Heat sink and physical protection to the LEDs
- For indoor use only

APPLICATIONS:

- Furniture production (kitchen / office)
- Interior light design (stairs / storage / floor)
- Stores shelf LED lighting
- Independent LED lamp
- Exhibition boot LED lighting



LC-SL15

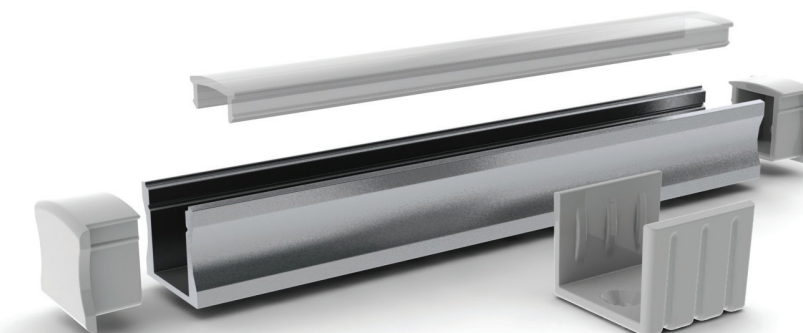


DESCRIPTION

Slim Line 15mm is high quality surface mounting anodized aluminum LED profile which is dedicated for the standard LED stripes up to 12mm of wideness. The profile is coming with choice of three high quality UV resistant and damage resistant snap-in diffusers, frosted, 50% frosted and transparent. The profile with choice of frosted diffuser is "LEDs DOTS FREE" and deliver soft smooth light on the whole surface. The aluminum profile it is performing as the heat sink to the leds and also presents itself as the nice, stylish and professionally looking housing. Available accessories such as end caps or mounting brackets or optic lenses helps professionally finish every installation.



AL-SL15
AB-SL



AL-SL15
AB-SL
MC-SL15
EC-SL15