



RECESSED SLIM LINE 15mm

RSL15; 15 x 24,5mm

ADVANTAGES:

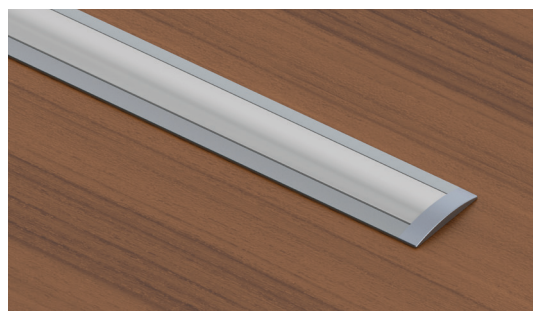
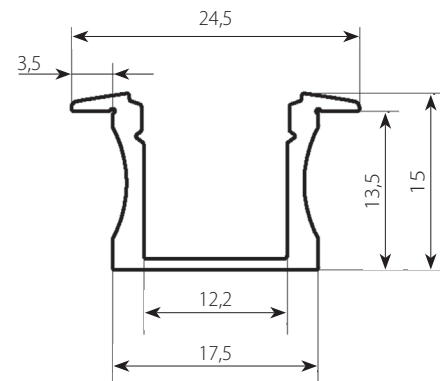
- High standard of anodizing aluminum surface
- High Quality UV resistant polycarbonate snap in diffuser
- Three different light diffusers to choice from, frosted (LEDs dots free), 50% frosted and transparent.
- Reduced light lost design
- Small dimensions only 15mm high
- Suitable for standard LED stripes up to 12mm of wideness
- Available on stock in anodized silver color
- Possible length and color customizing at MOQ
- Available with dedicated finish end caps
- Indoor use only, IP20

FUTURES:

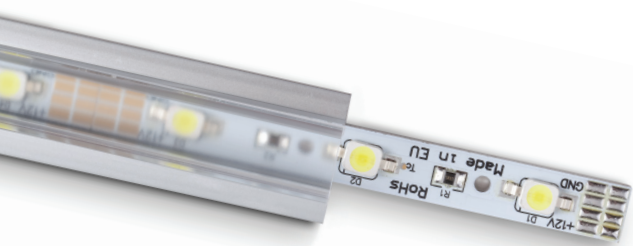
- Nice looking, clean, contemporary housing for the LEDs
- LEDs heat sink housing and mechanical protection for the LED stripes against damage

APPLICATIONS:

- Recessed under kitchen cabinets LED lighting
- Floor led lighting (with IP54 led's)
- Recessed storage shelves LED lighting
- Gypsum ceiling, wall accent LED lighting
- Furniture production
- Exhibition boot LED lighting



AL-RSL15
AB-SL

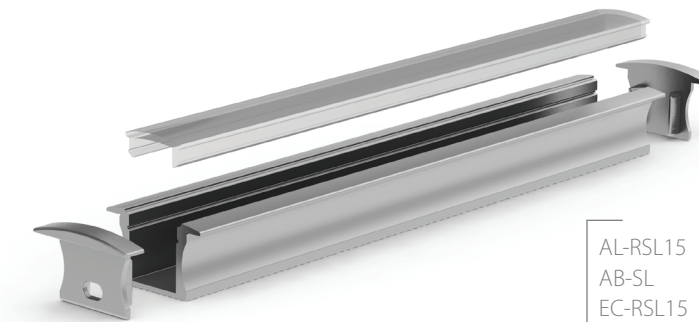
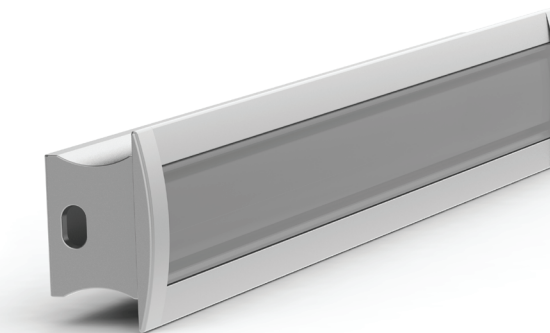


DESCRIPTION

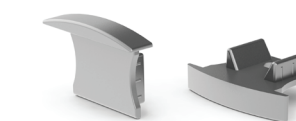
It is recessed type of the aluminum LED profile to build into material as MDF or other. The profile can be also recessed into floor (with IP54 LED ribbon inside only), wall or ceiling and the wide edges of the profile will cover the edges of insertion row completely. Extruded polycarbonate, high quality diffuser now is placing/removing from the front on click. It is UV resistant, and damage resistant (walk over safe, tested). Customer has a choice of three types of the diffusers what can be placed into that LED profile, frosted, 50% frosted and transparent.

The fully frosted diffuser do not shows led dots on the diffuser surface and the LED's are not visible. Frosted diffuser is giving nice smooth light line. Base of the profile is made from anodized aluminum in standard silver color. The product can be customizing like anodized in 9 different colors, and paint in any RAL color. Additionally on the outside surface we can place tin/screech resistant foil, which imitates the wood structure on the profile for perfect mach with kitchen cabinets. All most popular woods structure foils are available.

Profile is available on stock in 1m or 2m sections with finish accessories as end caps or mounting brackets. The aluminum profile will provide mechanical and thermal protection for the LEDs. The profile can be use with high power LED's up to 1W each. Led profiles are IP20 can be use outside with IP67 led ribbons only.



AL-RSL15
AB-SL
EC-RSL15



EC-RSL15
End Caps