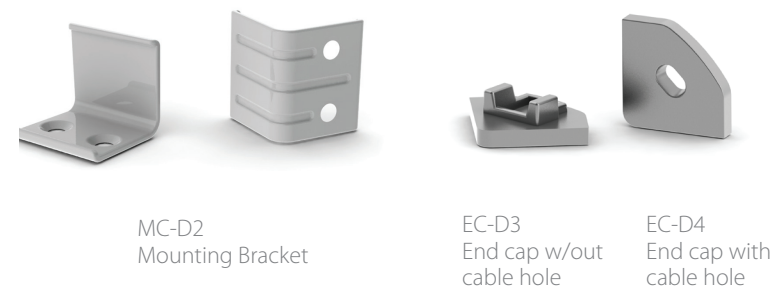
AL-D2  
AB-SLMC-D2  
Mounting BracketEC-D3  
End cap w/out  
cable holeEC-D4  
End cap with  
cable hole

## ALU-45° LED PROFILE

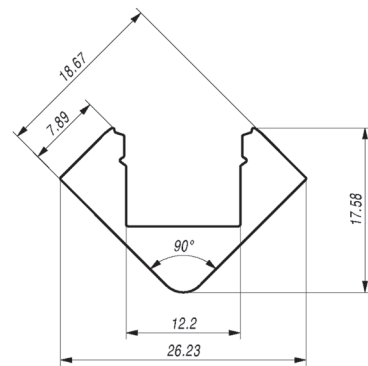
ALU-45°; 17,5 x 26mm

### FEATURES:

- High quality diffuser now placing from the front on click
- Polycarbonate UV resistant, damage resistant (walk over safe)
- Diffuser available in transparent, 50% opal and opal
- Base of the profile is made in anodized aluminum
- Profile available in RAL9010 and standard anode color
- Profile is available in lengths 1m, 2m or 3m (large quantity order)
- ALU-45° is suitable for low power and high power leds
- Simplicity design with high quality finish

### APPLICATIONS:

- Under kitchen cabinets LED lighting
- Stores shelves LED lighting
- Furniture production, inside cabinets LED lighting
- Storage shelves LED lighting
- Exhibition boot LED lighting



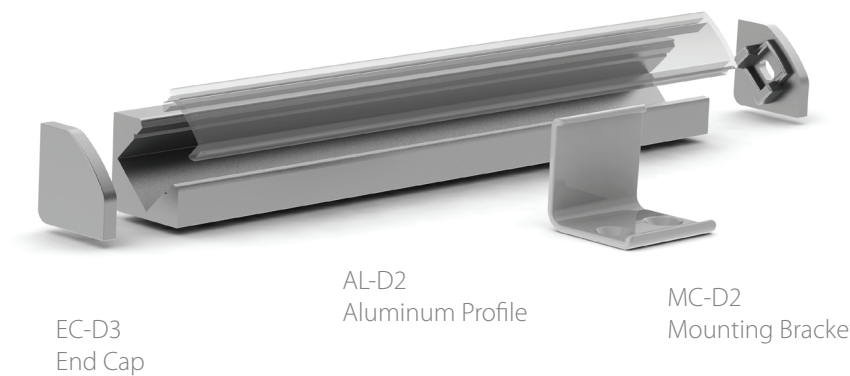
LC-D2



### DESCRIPTION

This is Quality anodized aluminum LED profile in silver or RAL9010 finish color with 45° degree LEDs light emitting angle.

ALU-45° has been designed to fit in at any corner LED lighting application. The light emitted by the LEDs is directed by the shape of the profile in 45° degree angle to do not blind the person who stands in front of it. The LED profile is dedicated for the standard LED stripes up to 12mm of wideness. Large amount of aluminum weight [0,45kg/m] provides excellent thermal heat sink condition to the LEDs and also presents itself as the nice, stylish and professionally looking housing. The profile it is able to handle and maintain stable temperature [45/50°C] at long period of time the in load up to 25W/m. It comes with choice of three different Quality UV resistant, snap-in diffusers, frosted, 50% frosted and transparent. The available accessories for ALU-45° LED profile such as end caps and mounting brackets helps professionally finish the installation.

EC-D3  
End CapAL-D2  
Aluminum ProfileMC-D2  
Mounting Bracket