

Single-beam Photoelectric Safety Switches WSU/WEU26-3

WEU26/3-103A00, WSU26/3-103A00



Empfänger

Model Name WEU26/3-103A00
Part Number 1047985



Sender

Model Name WSU26/3-103A00
Part Number 1047984



- Universal in application
- Relay outputs
- Robust design
- Large scanning range
- Front screen heating



Applications

Access protection (vertical): ✓
Hazardous point protection: -

Functions-Receiver

Front screen heating: ✓

Functions-Sender

Front screen heating: ✓

Technical Data-Receiver

Scanning range: 0,5 ... 20 m
 Number of beams: 1
 Synchronisation: optical, without separate synchronization cable
 detection capability: 30 mm
 Protection class: I (EN 50178:1998)
 Enclosure rating: IP 67 (EN 60529)
 Type: Type 4 (IEC 61496)
 Safety integrity level: SIL3 (IEC 61508)
 SILCL3 (IEC 62061)
 Category: Category 4 (EN ISO 13849)
 Performance Level: PL e (EN ISO 13849)
 B10d parameter: 1* 1E 06 switching cycles (at AC-15, 230 V, 0.4 A), 2,6*1E 05 switching cycles (at AC-15, 230 V, 2.0 A), 1* 1E 06 switching cycles (at DC-13, 24 V, 0.6 A), 2*1E 05 switching cycles (at DC-13, 24 V, 1.5 A)

PFHd:	4,0 * 1E-09
TM (Mission Time):	20 a
Supply voltage typical, from, to:	19,2 V DC, 24 V DC, 28,8 V DC, the external voltage supply must be capable of buffering brief mains voltage failures of 20 ms as specified in EN 60204-1. Suitable power supplies are available as accessories from SICK.
Switching outputs:	Relay
Maximum response time:	22 ms
Switching current:	0,02 ... 2 A
Switching voltage min ... max:	10 ... 230 V AC, 10 ... 30 V DC
Mechanical life (relay contacts):	≥ 1*1E 07 switching cycles
Maximum power consumption:	8 W
Diagnosis display:	LED
Dimensions (W x H x D):	156 x 50 x 116 mm
Connection type:	PG gland
Housing material:	Aluminum diecast
Ambient operating temperature from ... to:	-25 ... 55 °C
Storage temperature from ... to:	-25 ... 70 °C
Air humidity from ... to:	Non-condensing 15 ... 95 %
Vibration resistance (checked to):	5 g (IEC 60068-2-6)
Oscillation frequency from ... to:	10 ... 55 Hz
Shock resistance:	10 g, 16 ms, IEC 60068-2-29
Weight:	1 kg

Technical Data-Sender

Number of beams:	1
Synchronisation:	optical, without separate synchronization cable
detection capability:	30 mm
Wave length:	950 nm
Protection class:	I (EN 50178:1998)
Enclosure rating:	IP 67 (EN 60529)
Type:	Type 4 (IEC 61496)
Safety integrity level:	SIL3 (IEC 61508) SILCL3 (IEC 62061)
Category:	Category 4 (EN ISO 13849)
Performance Level:	PL e (EN ISO 13849)
B10d parameter:	1* 1E 06 switching cycles (at AC-15, 230 V, 0.4 A), 2,6*1E 05 switching cycles (at AC-15, 230 V, 2.0 A), 1* 1E 06 switching cycles (at DC-13, 24 V, 0.6 A), 2*1E 05 switching cycles (at DC-13, 24 V, 1.5 A)
PFHd:	4,0 * 1E-09
TM (Mission Time):	20 a
Supply voltage typical, from, to:	19,2 V DC, 24 V DC, 28,8 V DC, the external voltage supply must be capable of buffering brief mains voltage failures of 20 ms as specified in EN 60204-1. Suitable power supplies are available as accessories from SICK.
Maximum power consumption:	6 W
Diagnosis display:	LED
Dimensions (W x H x D):	156 x 50 x 116 mm
Connection type:	PG gland
Housing material:	Aluminum diecast
Ambient operating temperature from ... to:	-25 ... 55 °C
Storage temperature from ... to:	-25 ... 70 °C
Air humidity from ... to:	Non-condensing 15 ... 95 %
Vibration resistance (checked to):	5 g (IEC 60068-2-6)

Oscillation frequency from ... to:

10 ... 55 Hz

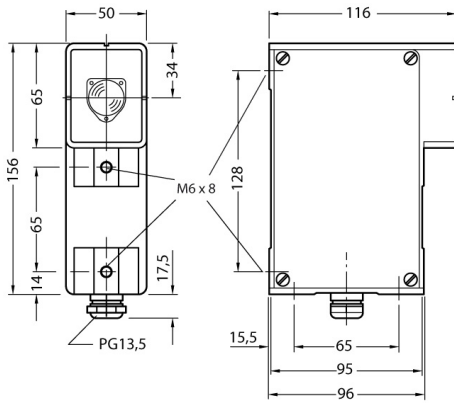
Shock resistance:

10 g, 16 ms, IEC 60068-2-29

Weight:

1 kg

Maßbild



Australia

Phone +61 3 9497 4100
1800 33 48 02 – tollfree
E-Mail sales@sick.com.au

Belgium/Luxembourg

Phone +32 (0)2 466 55 66
E-Mail info@sick.be

Brasil

Phone +55 11 3215-4900
E-Mail sac@sick.com.br

Ceská Republika

Phone +420 2 57 91 18 50
E-Mail sick@sick.cz

China

Phone +852-2763 6966
E-Mail ghk@sick.com.hk

Danmark

Phone +45 45 82 64 00
E-Mail sick@sick.dk

Deutschland

Phone +49 211 5301-0
E-Mail info@sick.de

España

Phone +34 93 480 31 00
E-Mail info@sick.es

France

Phone +33 1 64 62 35 00
E-Mail info@sick.fr

Great Britain

Phone +44 (0)1727 831121
E-Mail info@sick.co.uk

India

Phone +91-22-4033 8333
E-Mail info@sick-india.com

Israel

Phone +972-4-999-0590
E-Mail info@sick-sensors.com

Italia

Phone +39 02 27 43 41
E-Mail info@sick.it

Japan

Phone +81 (0)3 3358 1341
E-Mail support@sick.jp

Nederlands

Phone +31 (0)30 229 25 44
E-Mail info@sick.nl

Norge

Phone +47 67 81 50 00
E-Mail austefjord@sick.no

Österreich

Phone +43 (0)22 36 62 28 8-0
E-Mail office@sick.at

Polska

Phone +48 22 837 40 50
E-Mail info@sick.pl

Republic of Korea

Phone +82-2 786 6321/4
E-Mail kang@sickkorea.net

Republika Slovenija

Phone +386 (0)1-47 69 990
E-Mail office@sick.si

România

Phone +40 356 171 120
E-Mail office@sick.ro

Russia

Phone +7 495 775 05 34
E-Mail info@sick-automation.ru

Schweiz

Phone +41 41 619 29 39
E-Mail contact@sick.ch

Singapore

Phone +65 6744 3732
E-Mail admin@sicksgp.com.sg

Suomi

Phone +358-9-25 15 800
E-Mail sick@sick.fi

Sverige

Phone +46 10 110 10 00
E-Mail info@sick.se

Taiwan

Phone +886 2 2375-6288
E-Mail sickgrc@ms6.hinet.net

Türkiye

Phone +90 216 587 74 00
E-Mail info@sick.com.tr

United Arab Emirates

Phone +971 4 8865 878
E-Mail info@sick.ae

USA/Canada/México

Phone +1(952) 941-6780
1 800-325-7425 – tollfree
E-Mail info@sickusa.com

More representatives and agencies
in all major industrial nations at
www.sick.com