

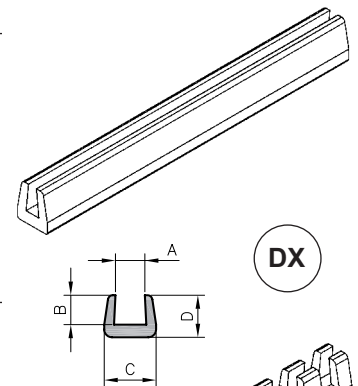
PLIOBORD for indoor

Material:	polyethylene (PE)	polyethylene non flammable (PE AF)
Colour:	natural	white
Operating temperature:	-50 to +85°C	-50 to +75°C
Tensile strenght at break:	>12 MPa	>10 MPa
Ultimate elongation:	>550 %	>600 %
Dielectric strenght:	60 kV/mm	60 kV/mm
Chemical resistance:	very good	very good
Flame resistance:	none	V2 UL94

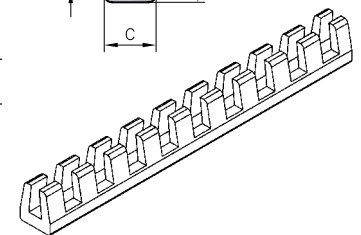
Application: protection of cables and conduits from sharp edges in sheet metal work or in panels. Has the advantage of being adaptable to sheet thicknesses from 1 to 4 mm.



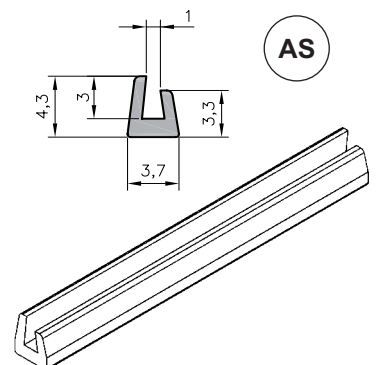
Polyethylene (PE)		SH	Polyethylene non flammable (PE AF)		dimensions (mm)				m	
type	article number		type	article number	A	B	C	D		
Profile P plain										
DX 1	P	0826 0021 018	DX 1	PAF	0826 0031 001	1,0	2,0	3,0	3,2	35
DX 1,2	P	0826 0051 018	-	-	-	1,2	3,2	3,5	4,5	30
DX 1,5	P	0826 0022 018	DX 1,5	PAF	0826 0032 001	1,5	2,0	3,5	3,2	30
DX 2	P	0826 0023 018	DX 2	PAF	0826 0033 001	2,0	3,0	4,3	4,3	25
DX 3	P	0826 0024 018	DX 3	PAF	0826 0034 001	3,0	3,0	5,3	4,3	20
DX 4	P	0826 0025 018	DX 4	PAF	0826 0035 001	4,0	3,5	6,9	5,3	15



Profile C crenellated										
DX 1	C	0826 0001 018	DX 1	CAF	0826 0011 001	1,0	2,0	3,0	3,2	35
DX 1,5	C	0826 0002 018	DX 1,5	CAF	0826 0012 001	1,5	2,0	3,5	3,2	30
DX 2	C	0826 0003 018	DX 2	CAF	0826 0013 001	2,0	3,0	4,3	4,3	25
DX 3	C	0826 0004 018	DX 3	CAF	0826 0014 001	3,0	3,0	5,3	4,3	20
DX 4	C	0826 0005 018	DX 4	CAF	0826 0015 001	4,0	3,5	6,9	5,3	15



Polyethylene (PE)		SH	m
type	article number		
AS 1,5	0826 0041 018		30



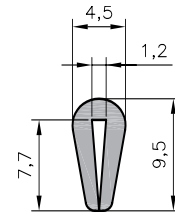


PLIOBORD for outdoor

Material:	flexible PVC
Colour:	black
Operating temperature:	-20 to +90°C
Hardness Shore A:	90 +/- 5
Tensile strength at break:	20 MPa
Ultimate elongation:	300 %
Dielectric strength:	20 kV/mm
Flame resistance:	V2 UL94
Application:	used for the protection of outside sides until 1,2 mm thickness.



type	article number	
EX 1,2	0826 0060 010	25



EX

