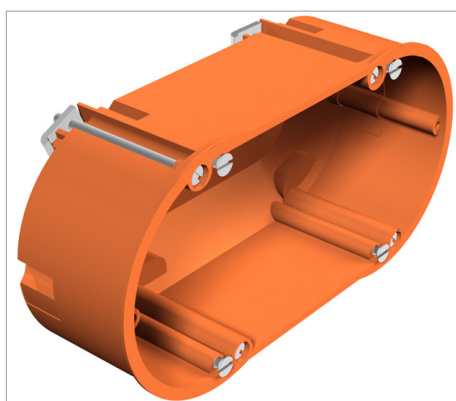


## Fiche Technique Cavity wall, double accessory socket



Double accessory socket, for two service units or one double service unit, with four device bolts. Dimensions to DIN 49073-1, for plate thickness 7–35 mm. Standard combination spacing 71 mm, 14 break-out openings for NYM cables, data cables and pipes Ø 20 mm, protection rating IP20.

Type	Installation type	Colour	Box quantity	Pack. pcs	Weight kg/100 pcs.	"N° de
HG 60 2	Cavity wall	Orange	100	10	4.850	

PP Polypropylene

price/

