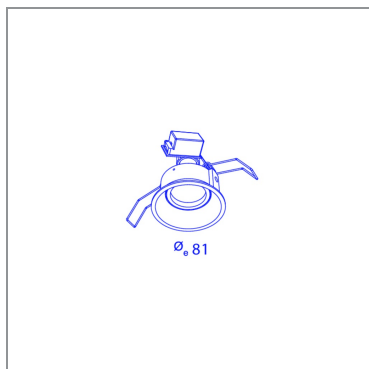


**BS3001**

WH



BS3001



### SPECIFICATIONS

CUT-OUT SIZE	Ø75
MIN RECESSED HEIGHT	110mm
WEIGHT	0.2kg
INGRESS PROTECTION (IP)	IP20, IP20 inside ceiling
GLOWWIRETEST	850°C

### COMPLEMENTARY OPTIONS

BS2000 BS2000 - PLASTER KIT PLASTER KIT

### REMARKS

WITH TORSION SPRINGS