

# Blocks & Holders



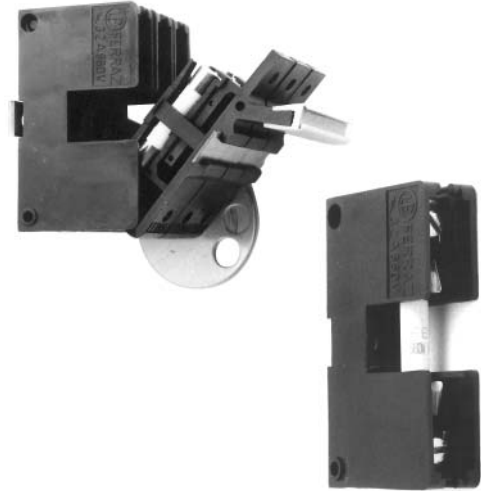
Miniature Fuses

## Fuse holders and fuse disconnectors

SI 6.32

### DISCONNECTORS AND HOLDERS FOR FERRULE-TYPE FUSES 6.3 x 32

- COMPLIANCE WITH IEC 947-3.
- MOUNTING ON SYMMETRICAL OR ASYMMETRICAL 35 mm DIN-RAIL.
- PROTECTION AGAINST TOUCHING OF LIVE PARTS.
- PROTECTION DEGREE: IP 2X FOR DISCONNECTORS (WHEN DEVICE IS CONNECTED AND CLOSED)
- SILVER-PLATED CLIPS WITH ELASTIC CLAMPING.
- SELF-EXTINGUISHING MATERIAL V0-CLASS AS PER UL94.
- PADLOCKING DEVICE, BLOWN FUSE INDICATION THROUGH L.E.D ON REQUEST.
- SALT SPRAY-PROOF VERSION AVAILABLE ON REQUEST.



### MAIN ELECTRICAL CHARACTERISTICS

Insulation voltage: 690 V  
 Rated conventional current Ith: 32 A  
 Permissible max. power: 3,5 W  
 Impulse withstand voltage Uimp: 8 kV

Operation class: AC 20 B  
 Short-circuit withstand current with Ferraz Shawmut fuses: I<sub>c</sub> max = 4,7 kA.  
 Power frequency withstand voltage: 2.5 Kv, 50 Hz during 1 min.

**Overload current limitation:**

- Fuseholders without grip with FERRAZ SHAWMUT fuses: No limitation
- Disconnector with FERRAZ SHAWMUT fuse rated ≤ 10 A: No limitation
- Disconnector with FERRAZ SHAWMUT fuse rated > 10 A: Clearing of overloads longer than 200 s by another protection device (thermal relay or other)

**Connections:**

- CC type: Screw clamp terminals for copper cables with 10 mm<sup>2</sup> max. section.
- LL type : 6.3 mm clips.
- LC type : Upstream clips and downstream screw clamp terminals.
- Recommended tightening torque for clamp terminals: 1.2 Nm to 1.4 Nm.
- Maximum tightening torque for holders: 1.5 to 2 Nm.

**Blown fuse indication auxiliary contact:**

- Factory mounted and operating only with a 6.3x32 fuse with trip-indicator

	Non inductive load			Inductive load cosφ=0.6 or L/R=2.5 ms		
	30 V	110 V	250 V	30 V	110 V	250 V
AC interrupting rating	.....	5 A	5 A	.....	5 A	5 A
DC interrupting rating	4 A	0.4 A	.....	2 A	0.4 A	.....

- Minimum voltage-current for a certain operating: 24 V 10 mA
- Connection: Soldering or 2.8 mm clips

**Blown-fuse LED indication:**

- In-factory mounted . DC: 1 LED with polarization + 1 LED with upstream terminal; AC: 2 LEDs.
- Maximum operating voltage according to models: up to 250 V (AC and DC)
- Current after fuse blowing : 1.7 mA to 6 mA.

# Blocks & Holders



Miniature Fuses

## Fuse holders and fuse disconnectors

## SI 6.32

### HOLDERS WITHOUT GRIP



Ref. Number	Cat. Number	Connecting	Packaging	unit weight
M091482	SI 6.32 CC	Screw clamp	10	30g
Z091746	SI 6.32 LL	6.3 mm clips.	10	30g
J091939	SI 6.32 LC	Upstream clips and downstream screw clamp	10	30g

No protection against live terminals and fuse touching.

Mounting: Directly screwed on base or snapped on DIN-rail an adaptation (refer to accessories).

### DISCONNECTORS WITH OR WITHOUT INTERLOCKING



Without locking

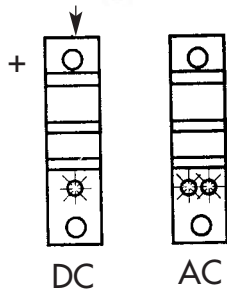


With locking grip

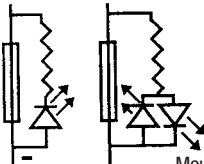
Ref. Number	Cat. Number	Connecting	Packaging	unit weight
N091483	SI 6.32 CC PRE	Screw clamp	10	38g
M091942	SI 6.32 PRE V	Screw clamp with lock	10	40g
G082990	SI 6.32 CC PRE BS M	Bornes à cage avec action positive pour sortir le fusible	10	40g
E091728	SI 6.32 LL PRE	6.3 mm clips	10	38g
Q091945	SI 6.32 LL PRE V	6.3 mm clips with locking	10	40g
R091946	SI 6.32 LC PRE	Upstream clips and downstream screw clamp	10	38g
W091973	SI 6.32 LC PRE V	Upstr. clips and downstr. screw clamp with locking	10	40g

Mounting : Directly screwed on base or snapped on DIN-rail an adaptation (refer to accessories).

### DISCONNECTORS WITH LED INDICATION



Schéma



Ref. Number	Cat. Number	Connecting	Max. voltage of the circuit	Packaging	Unit weight
F091982	SI 6.32 CC PRE D 30	Screw clamp	30V DC Upstream terminal at plus	5	40g
Q092014	SI 6.32 LL PRE D 30	6.3 mm clips			
A092046	SI 6.32 LC PRE D 30	Clip upstr./Clamp downstr.			
G091983	SI 6.32 CC PRE D 50	Screw clamp	50V DC Upstream terminal at plus	5	40g
W092019	SI 6.32 LL PRE D 50	6.3 mm clips			
B092047	SI 6.32 LC PRE D 50	Clip upstr./Clamp downstr.			
A091954	SI 6.32 CC PRE D 125	Screw clamp	125V DC Upstream terminal at plus	5	40g
S092016	SI 6.32 LL PRE D 125	6.3 mm clips			
C092048	SI 6.32 LC PRE D 125	Clip upstr./Clamp downstr.			
J091985	SI 6.32 CC PRE D 250	Screw clamp	250V DC Upstream terminal at plus	5	40g
T092017	SI 6.32 LL PRE D 250	6.3 mm clips			
D092049	SI 6.32 LC PRE 2D 250	Clip upstr./Clamp downstr.			
K091986	SI 6.32 CC PRE 2D 30	Screw clamp	30V AC	5	40g
V092018	SI 6.32 LL PRE 2D 30	6.3 mm clips			
E092050	SI 6.32 LC PRE 2D 30	Clip upstr./Clamp downstr.			
L091987	SI 6.32 CC PRE 2D 50	Screw clamp	50V AC	5	40g
R092015	SI 6.32 LL PRE 2D 50	6.3 mm clips			
F092051	SI 6.32 LC PRE 2D 125	Clip upstr./Clamp downstr.			
M091988	SI 6.32 CC PRE 2D 125	Screw clamp	125V AC	5	40g
X092020	SI 6.32 LL PRE 2D 125	6.3 mm clips			
G092052	SI 6.32 LC PRE 2D 125	Clip upstr./Clamp downstr.			
Y092021	SI 6.32 LL PRE 2D 250	6.3 mm clips	250V AC	5	40g
H092053	SI 6.32 LC PRE 2D 250	Clip upstr./Clamp downstr.			

Mounting: Directly screwed on base or snapped on DIN-rail an adaptation (refer to accessories).

# Blocks & Holders



Miniature Fuses

## Fuse holders and fuse disconnectors

## SI 6.32

### DISCONNECTORS WITH AUXILLIARY CONTACT INDICATION



Ref. Number	Catalog Number	Connecting	Packaging	Unit weight
T092109	SI 6.32 LL PRE+MC 2,5	6.3 mm clip.	5	45g
P092335	SI 6.32 LC PRE+MC 2,5	Upstream clips and downstream screw clamp	5	45g

Impossible for SI 6.32 CC PRE type disconnecter.

Mounting: Directly screwed on base or snapped on DIN-rail an adaptation (refer to accessories).

### DISCONNECTORS WITH NEUTRAL DUMMY FUSES



Ref. Number	Catalog Number	Connecting	Packaging	Unit weight
W092088	SI 6.32 CC PRE + Neutre	Screw clamp	10	45g
X092089	SI 6.32 LL PRE + Neutre	6.3 mm clip	10	45g
X085879	SI 6.32 LC PRE + Neutre	Upstream clips and downstream screw clamp	10	45g

Mounting: Directly screwed on base or snapped on DIN-rail adaptation (refer to accessories).

\* 6 x 32 neutral dummy fuse Ref. Number : H 047594.

## ACCESSORIES

### COUPLING STRIPS FOR 2, 3 AND 4-POLE MODEL MOUNTING



Ref. Number	Catalog Number	Packaging	Unit weight
F091867	PROFILE SII 6 X 32 PRE	10	2,5g
G091868	PROFILE SIII 6 X 32 PRE	10	2,5g
H091869	PROFILE SIV 6 X 32 PRE	10	2,5g

Mounting : For slipping on grips. Marking can be slipped on the strip.



### OFF-POSITION PADLOCKING DEVICES FOR 1, 2, 3 AND 4-POLE MODELS



Ref. Number	Catalog Number	Packaging	Unit weight
B092070	DISPOSITIF CAD SI 6 X 32 PRE	5	38g

Only one device to be cut according to the number of poles (pre-cut in factory).  
Padlocking in off-position by 3 dia. 8mm padlocks.

### FIXING ADAPTERS FOR DIN-RAIL MOUNTING

	Rail type	Ref. Number	Catalog Number	Packaging	Unit weight
	DIN symmetrical EN 50022	B092093	FIXOMEGA FM4	10	4,5g
	DIN asymmetrical EN 50035	K092046J K092046Q	EF 46	10 100	4g

# Blocks & Holders

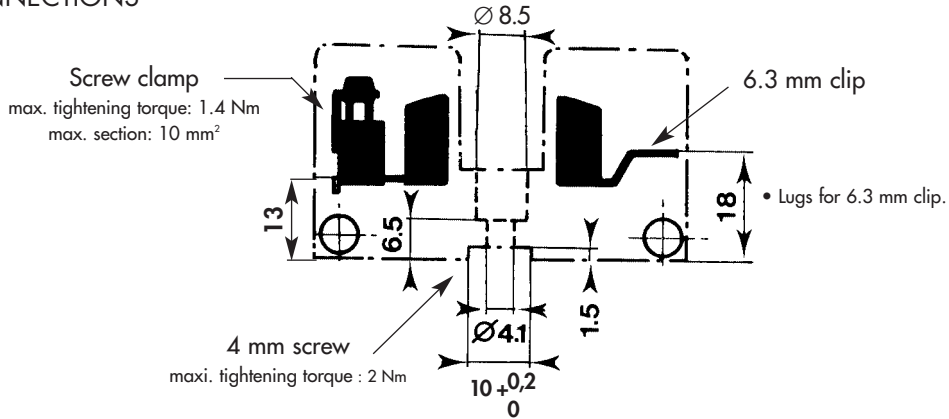


Miniature Fuses

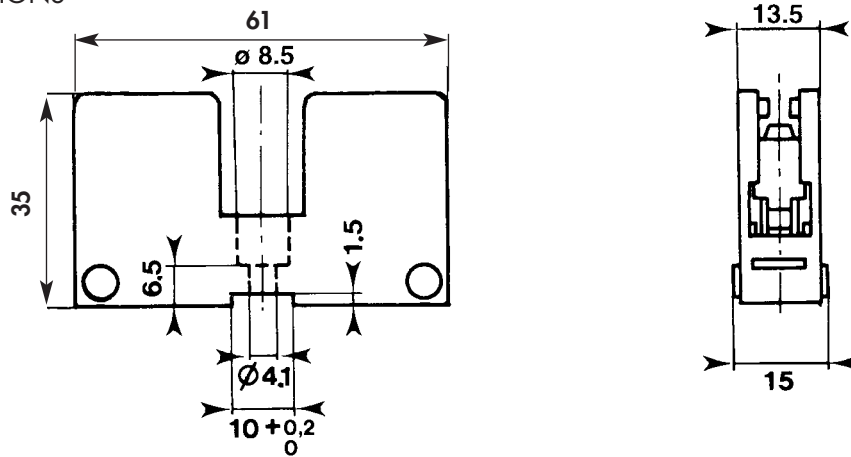
## Fuse holders and fuse disconnectors

SI 6.32

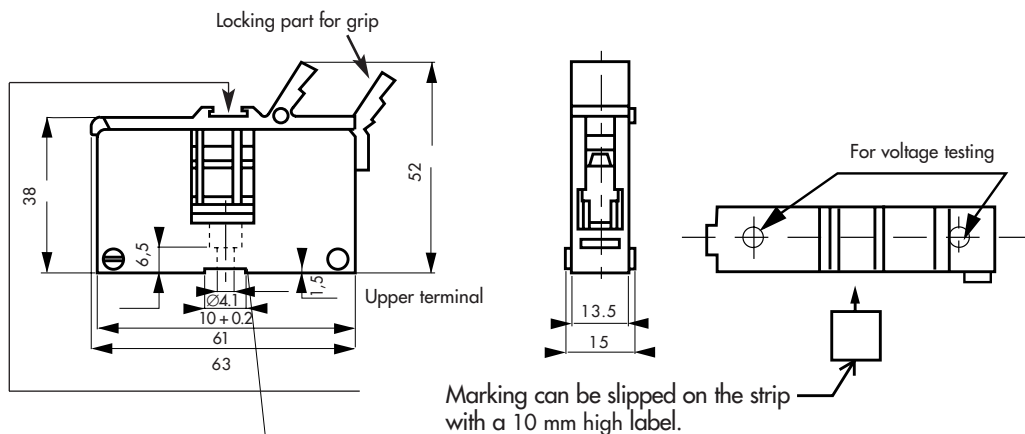
### CONNECTIONS



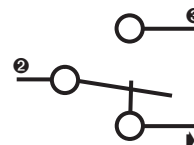
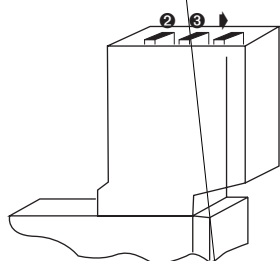
### HOLDER DIMENSIONS



### DISCONNECTOR DIMENSIONS



### CONNECTING AUXILLIARY BLOWN-FUSE MICROSWITCH



Connection:  
Soldering or 2.8 mm clips