

NH fuse-links gG 690VAC

double indicator/live gripping-lugs size 000, 00, 0, 1, 2, 3

LOW VOLTAGE IEC FUSES

IEC NH FUSE-LINKS



The NH system is classified among plug-in fuse systems and is composed of:

- fuse-base (possibly including terminal covers and phase barriers)
- fuse-link with blade contact
- fuse-link replacement device (LV HRC fuse puller)

Since the design of this system cannot guarantee non-interchangeability of rated current it must be handled by a qualified professional.

Type “gG” NH fuse-links are full range breaking capacity fuse-links and are used to protect cables and equipment. They can interrupt any current surge, from the lowest fusing current up to their breaking capacity, and so can be used alone as protection. They also protect electrical devices and industrial set-ups from the electrodynamic effects of very high short-circuit currents.

TECHNICAL DATA OVERVIEW

| | |
|----------------------|-----------------------|
| Voltage AC | 690 VAC |
| Voltage Range DC | 250 ... 400 VDC |
| Ampere Range (A) | 2 ... 500 A |
| Size per Standard | 000, 00, 0, 1, 2, 3 |
| Speed/Characteristic | gG |
| I.R. AC (IEC) | 80 kA |
| I.R. DC (IEC) | 80 kA |
| Body Material | ceramic |
| Contact Materials | copper, silver-plated |

FEATURES & BENEFITS

- Dimensions according to DIN 43 620 parts 1 to 4
- Non-isolated gripping lugs
- Double indicator
- Lead free contact blades
- 0% cadmium

APPLICATIONS

- gG: general purpose cable and line protection

STANDARDS

- VDE 0636 Part 201
- IEC 60269-1 and -2



MERSEN reserves the right to change, update or correct, without notice, any information contained in this datasheet.

NH fuse-links gG 690VAC

double indicator/live gripping-lugs size 000, 00, 0, 1, 2, 3

PRODUCT RANGE



NH000GG69V2

Size 000 gG 690VAC

| Catalog number | Item number | Rated voltage AC (IEC) | Rated voltage DC (IEC) | Rated current I _n | Power dissipation at I _n | Package | Weight |
|----------------|-------------|------------------------|------------------------|------------------------------|-------------------------------------|---------|---------|
| NH000GG69V2 | E228440 | 690 V | 250 V | 2 A | 1.9 W | 3 | 0.13 kg |
| NH000GG69V4 | F228441 | 690 V | 250 V | 4 A | 1.5 W | 3 | 0.13 kg |
| NH000GG69V6 | G228442 | 690 V | 250 V | 6 A | 1.6 W | 3 | 0.13 kg |
| NH000GG69V10 | J228444 | 690 V | 250 V | 10 A | 1.1 W | 3 | 0.13 kg |
| NH000GG69V16 | K228445 | 690 V | 250 V | 16 A | 1.8 W | 3 | 0.13 kg |
| NH000GG69V20 | L228446 | 690 V | 250 V | 20 A | 2.3 W | 3 | 0.13 kg |
| NH000GG69V25 | M228447 | 690 V | 250 V | 25 A | 2.4 W | 3 | 0.13 kg |
| NH000GG69V32 | N228448 | 690 V | 250 V | 32 A | 3.1 W | 3 | 0.13 kg |
| NH000GG69V35 | P228449 | 690 V | 250 V | 35 A | 3 W | 3 | 0.13 kg |
| NH000GG69V40 | Q228450 | 690 V | 250 V | 40 A | 3.7 W | 3 | 0.13 kg |
| NH000GG69V50 | R228451 | 690 V | 250 V | 50 A | 4.1 W | 3 | 0.13 kg |
| NH000GG69V63 | S228452 | 690 V | 250 V | 63 A | 5.4 W | 3 | 0.13 kg |
| NH000GG69V80 | T228453 | 690 V | 250 V | 80 A | 6.5 W | 3 | 0.13 kg |



NH00GG69V32

Size 00 gG 690VAC

| Catalog number | Item number | Rated voltage AC (IEC) | Rated voltage DC (IEC) | Rated current I _n | Power dissipation at I _n | Package | Weight |
|----------------|-------------|------------------------|------------------------|------------------------------|-------------------------------------|---------|--------|
| NH00GG69V32 | V228454 | 690 V | 250 V | 32 A | 3.1 W | 3 | 0.2 kg |
| NH00GG69V35 | W228455 | 690 V | 250 V | 35 A | 3 W | 3 | 0.2 kg |
| NH00GG69V40 | X228456 | 690 V | 250 V | 40 A | 3.7 W | 3 | 0.2 kg |
| NH00GG69V50 | Y228457 | 690 V | 250 V | 50 A | 4.1 W | 3 | 0.2 kg |
| NH00GG69V63 | Z228458 | 690 V | 250 V | 63 A | 5.6 W | 3 | 0.2 kg |
| NH00GG69V80 | A228459 | 690 V | 250 V | 80 A | 6.8 W | 3 | 0.2 kg |
| NH00GG69V100 | B228460 | 690 V | 250 V | 100 A | 7.5 W | 3 | 0.2 kg |
| NH00GG69V125 | C228461 | 690 V | 250 V | 125 A | 10 W | 3 | 0.2 kg |



NH0GG69V160

Size 0 gG 690VAC

| Catalog number | Item number | Rated voltage AC (IEC) | Rated voltage DC (IEC) | Rated current I _n | Power dissipation at I _n | Package | Weight |
|----------------|-------------|------------------------|------------------------|------------------------------|-------------------------------------|---------|---------|
| NH0GG69V6 | D228462 | 690 V | 400 V | 6 A | 1.6 W | 3 | 0.27 kg |
| NH0GG69V10 | E228463 | 690 V | 400 V | 10 A | 1.1 W | 3 | 0.27 kg |
| NH0GG69V16 | F228464 | 690 V | 400 V | 16 A | 1.8 W | 3 | 0.27 kg |
| NH0GG69V20 | G228465 | 690 V | 400 V | 20 A | 2.3 W | 3 | 0.27 kg |
| NH0GG69V25 | H228466 | 690 V | 400 V | 25 A | 2.4 W | 3 | 0.27 kg |
| NH0GG69V32 | J228467 | 690 V | 400 V | 32 A | 3.1 W | 3 | 0.27 kg |
| NH0GG69V35 | K228468 | 690 V | 400 V | 35 A | 3 W | 3 | 0.27 kg |
| NH0GG69V40 | L228469 | 690 V | 400 V | 40 A | 3.7 W | 3 | 0.27 kg |
| NH0GG69V50 | M228470 | 690 V | 400 V | 50 A | 4.1 W | 3 | 0.27 kg |
| NH0GG69V63 | N228471 | 690 V | 400 V | 63 A | 6.6 W | 3 | 0.27 kg |
| NH0GG69V80 | P228472 | 690 V | 400 V | 80 A | 8 W | 3 | 0.27 kg |
| NH0GG69V100 | Q228473 | 690 V | 400 V | 100 A | 9.4 W | 3 | 0.27 kg |
| NH0GG69V125 | R228474 | 690 V | 400 V | 125 A | 11.8 W | 3 | 0.27 kg |
| NH0GG69V160 | S228475 | 690 V | 400 V | 160 A | 14.6 W | 3 | 0.27 kg |

NH fuse-links gG 690VAC

double indicator/live gripping-lugs size 000, 00, 0, 1, 2, 3

PRODUCT RANGE

Size 1 gG 690VAC



NH1GG69V20

| Catalog number | Item number | Rated voltage AC (IEC) | Rated voltage DC (IEC) | Rated current I _n | Power dissipation at I _n | Width | Package | Weight |
|----------------|-------------|------------------------|------------------------|------------------------------|-------------------------------------|---------|---------|---------|
| NH1GG69V16 | T228476 | 690 V | 400 V | 16 A | 1.8 W | 29.5 mm | 3 | 0.27 kg |
| NH1GG69V20 | V228477 | 690 V | 400 V | 20 A | 2.3 W | 29.5 mm | 3 | 0.27 kg |
| NH1GG69V25 | W228478 | 690 V | 400 V | 25 A | 2.4 W | 29.5 mm | 3 | 0.27 kg |
| NH1GG69V32 | X228479 | 690 V | 400 V | 32 A | 3.1 W | 29.5 mm | 3 | 0.27 kg |
| NH1GG69V35 | Y228480 | 690 V | 400 V | 35 A | 3 W | 29.5 mm | 3 | 0.27 kg |
| NH1GG69V40 | Z228481 | 690 V | 400 V | 40 A | 3.7 W | 29.5 mm | 3 | 0.27 kg |
| NH1GG69V50 | A228482 | 690 V | 400 V | 50 A | 4.1 W | 29.5 mm | 3 | 0.27 kg |
| NH1GG69V63 | B228483 | 690 V | 400 V | 63 A | 6.6 W | 29.5 mm | 3 | 0.27 kg |
| NH1GG69V80 | C228484 | 690 V | 400 V | 80 A | 8 W | 29.5 mm | 3 | 0.27 kg |
| NH1GG69V100 | D228485 | 690 V | 400 V | 100 A | 9.4 W | 29.5 mm | 3 | 0.27 kg |
| NH1GG69V125 | E228486 | 690 V | 400 V | 125 A | 11.8 W | 39.5 mm | 3 | 0.42 kg |
| NH1GG69V160 | F228487 | 690 V | 400 V | 160 A | 14.6 W | 39.5 mm | 3 | 0.42 kg |
| NH1GG69V200 | G228488 | 690 V | 400 V | 200 A | 18 W | 39.5 mm | 3 | 0.42 kg |
| NH1GG69V224 | V233261 | 690 V | 400 V | 224 A | 19 W | 39.5 mm | 3 | 0.42 kg |
| NH1GG69V250 | W233262 | 690 V | 400 V | 250 A | 20 W | 39.5 mm | 3 | 0.42 kg |

Size 2 gG 690VAC



NH2GG69V32

| Catalog number | Item number | Rated voltage AC (IEC) | Rated voltage DC (IEC) | Rated current I _n | Power dissipation at I _n | Width | Package | Weight |
|----------------|-------------|------------------------|------------------------|------------------------------|-------------------------------------|---------|---------|---------|
| NH2GG69V32 | H228489 | 690 V | 250 V | 32 A | 3.1 W | 39.5 mm | 3 | 0.42 kg |
| NH2GG69V35 | J228490 | 690 V | 250 V | 35 A | 3 W | 39.5 mm | 3 | 0.42 kg |
| NH2GG69V40 | K228491 | 690 V | 250 V | 40 A | 3.7 W | 39.5 mm | 3 | 0.42 kg |
| NH2GG69V50 | L228492 | 690 V | 250 V | 50 A | 4.1 W | 39.5 mm | 3 | 0.42 kg |
| NH2GG69V63 | M228493 | 690 V | 250 V | 63 A | 6.8 W | 39.5 mm | 3 | 0.42 kg |
| NH2GG69V80 | N228494 | 690 V | 250 V | 80 A | 8.3 W | 39.5 mm | 3 | 0.42 kg |
| NH2GG69V100 | P228495 | 690 V | 250 V | 100 A | 10.7 W | 39.5 mm | 3 | 0.42 kg |
| NH2GG69V125 | Q228496 | 690 V | 250 V | 125 A | 12.2 W | 39.5 mm | 3 | 0.42 kg |
| NH2GG69V160 | R228497 | 690 V | 250 V | 160 A | 15 W | 39.5 mm | 3 | 0.42 kg |
| NH2GG69V200 | S228498 | 690 V | 250 V | 200 A | 18.5 W | 39.5 mm | 3 | 0.42 kg |
| NH2GG69V224 | T228499 | 690 V | 250 V | 224 A | 19.2 W | 39.5 mm | 3 | 0.42 kg |
| NH2GG69V250 | V228500 | 690 V | 250 V | 250 A | 20.6 W | 39.5 mm | 3 | 0.42 kg |
| NH2GG69V300 | W228501 | 690 V | 250 V | 300 A | 21 W | 51 mm | 3 | 0.64 kg |
| NH2GG69V315 | X228502 | 690 V | 250 V | 315 A | 25 W | 51 mm | 3 | 0.64 kg |
| NH2GG69V355 | Y228503 | 690 V | 250 V | 355 A | 31.5 W | 51 mm | 3 | 0.64 kg |

Size 3 gG 690VAC



NH3GG69V500

| Catalog number | Item number | Rated voltage AC (IEC) | Rated voltage DC (IEC) | Rated current I _n | Power dissipation at I _n | Width | Package | Weight |
|----------------|-------------|------------------------|------------------------|------------------------------|-------------------------------------|-------|---------|---------|
| NH3GG69V250 | Z228504 | 690 V | 250 V | 250 A | 21.1 W | 51 mm | 1 | 0.65 kg |
| NH3GG69V300 | A228505 | 690 V | 250 V | 300 A | 22.6 W | 51 mm | 1 | 0.65 kg |
| NH3GG69V315 | B228506 | 690 V | 250 V | 315 A | 25 W | 51 mm | 1 | 0.65 kg |
| NH3GG69V355 | C228507 | 690 V | 250 V | 355 A | 32 W | 51 mm | 1 | 0.65 kg |
| NH3GG69V400 | D228508 | 690 V | 250 V | 400 A | 34 W | 70 mm | 1 | 1.05 kg |
| NH3GG69V425 | E228509 | 690 V | 250 V | 425 A | 34 W | 70 mm | 1 | 1.05 kg |
| NH3GG69V500 | F228510 | 690 V | 250 V | 500 A | 43 W | 70 mm | 1 | 1.05 kg |

NH fuse-links gG 690VAC

double indicator/live gripping-lugs size 000, 00, 0, 1, 2, 3

TECHNICAL DATA

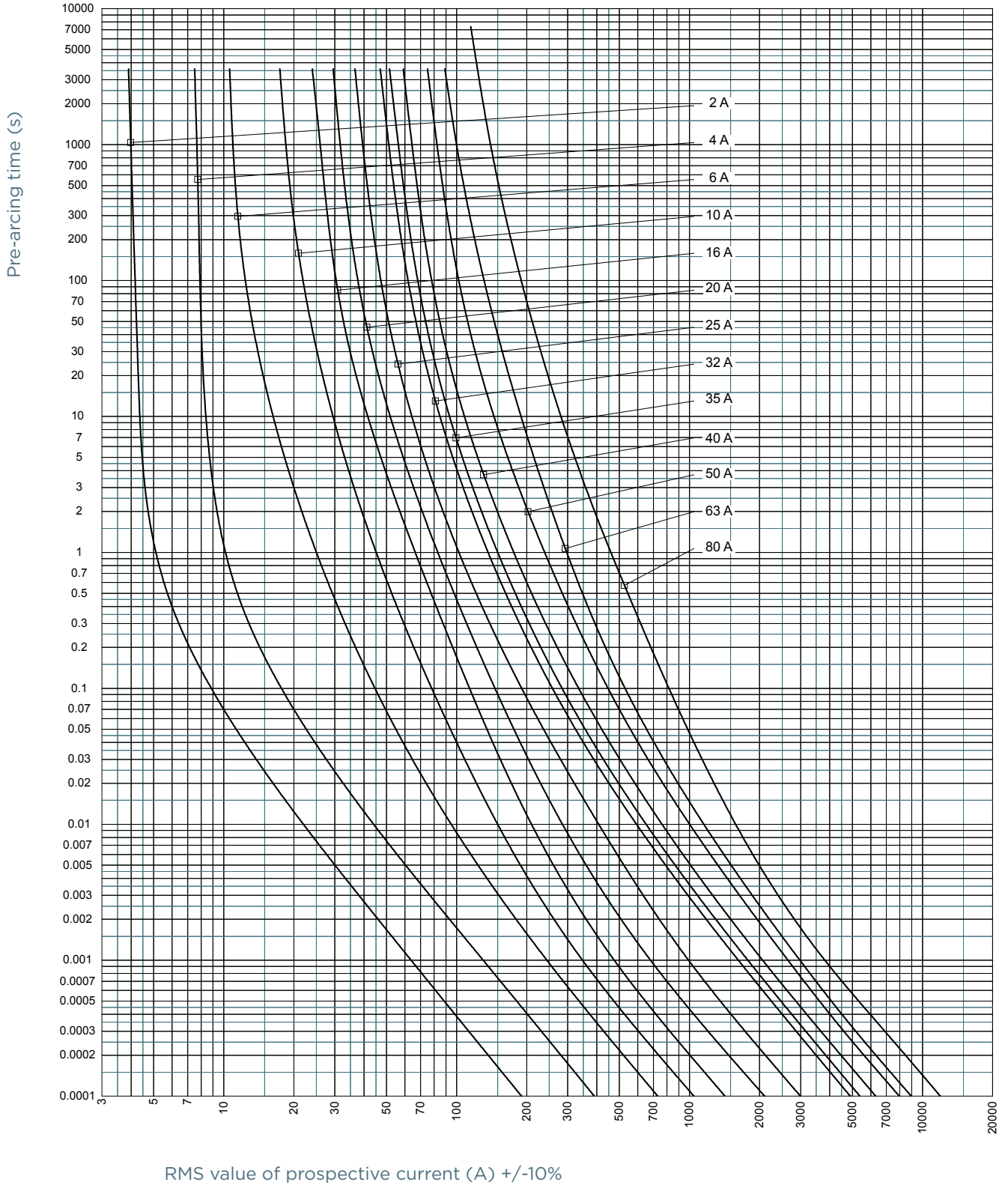
| | Size 000 | Size 00 | Size 0 | Size 1 | Size 2 | Size 3 |
|----------------------------|------------------|------------------|------------------|------------------|------------------|------------------|
| Size | 000 | 00 | 0 | 1 | 2 | 3 |
| Rated current | 2 ... 80 A | 32 ... 125 A | 6 ... 160 A | 16 ... 250 A | 32 ... 335 A | 250 ... 500 A |
| Rated breaking capacity AC | 80 kA | 80 kA | 80 kA | 80 kA | 80 kA | 80 kA |
| Rated voltage AC | 690 V | 690 V | 690 V | 690 V | 690 V | 690 V |
| Rated voltage DC | 250 V | 250 V | 400 V | 400 V | 250 V | 250 V |
| Indication System | double indicator | double indicator | double indicator | double indicator | double indicator | double indicator |
| Width | 21 mm | 30 mm | 30 mm | 40 mm | 52 mm | 72 mm |

NH fuse-links gG 690VAC

double indicator/live gripping-lugs size 000, 00, 0, 1, 2, 3

TIME CURRENT CHARACTERISTIC CURVES

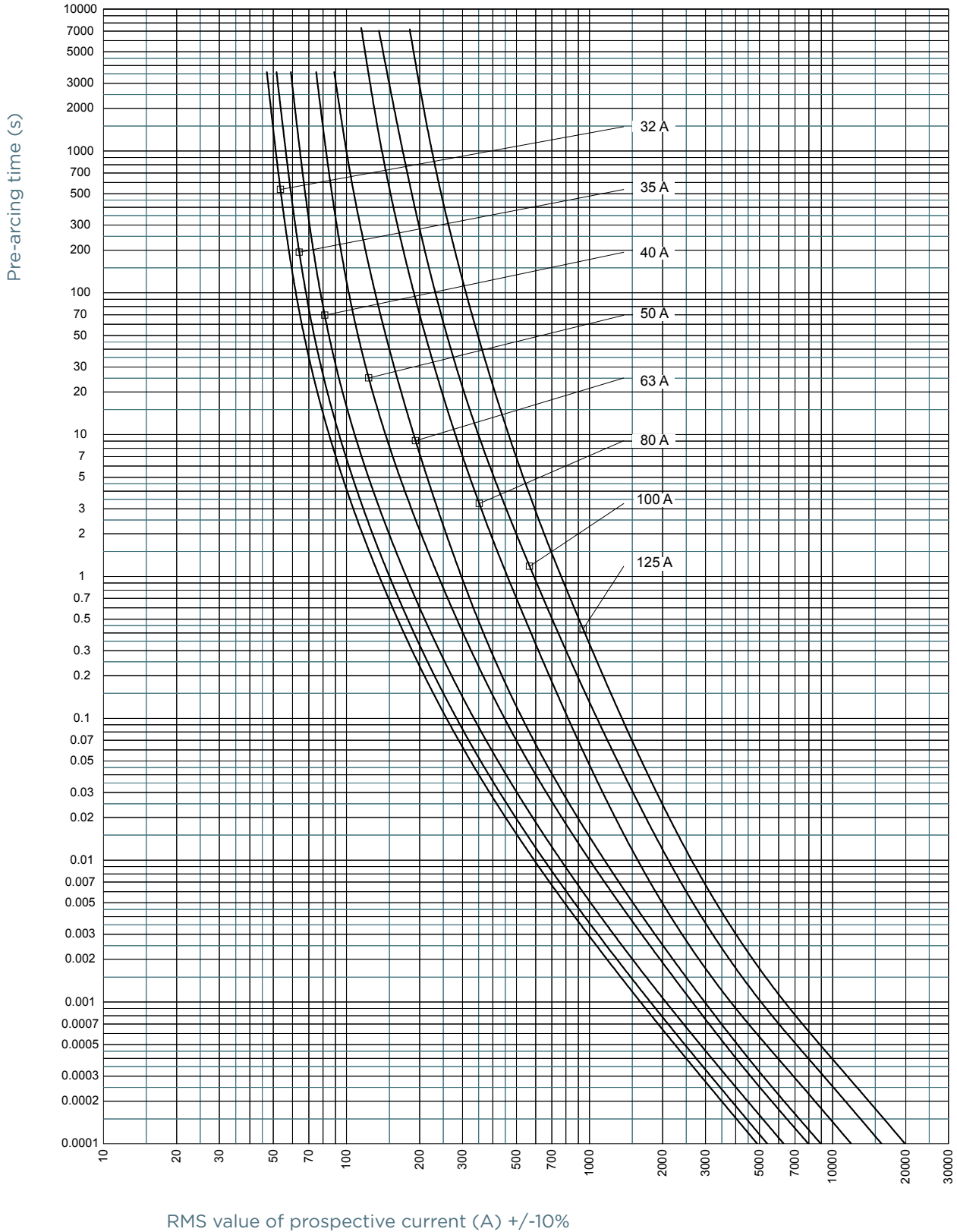
Size 000



MERSEN reserves the right to change, update or correct, without notice, any information contained in this datasheet.

TIME CURRENT CHARACTERISTIC CURVES

Size 00



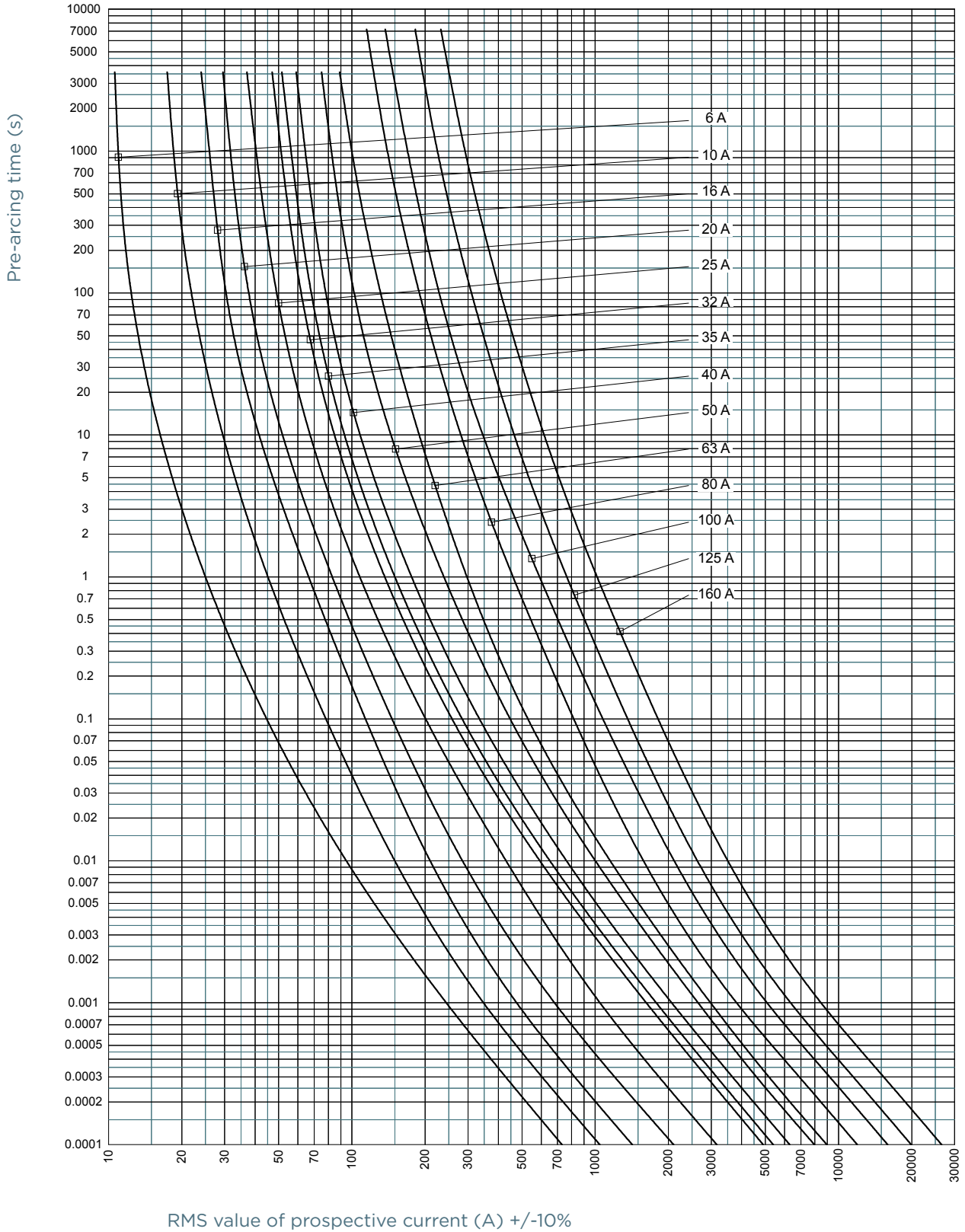
MERSEN reserves the right to change, update or correct, without notice, any information contained in this datasheet.

NH fuse-links gG 690VAC

double indicator/live gripping-lugs size 000, 00, 0, 1, 2, 3

TIME CURRENT CHARACTERISTIC CURVES

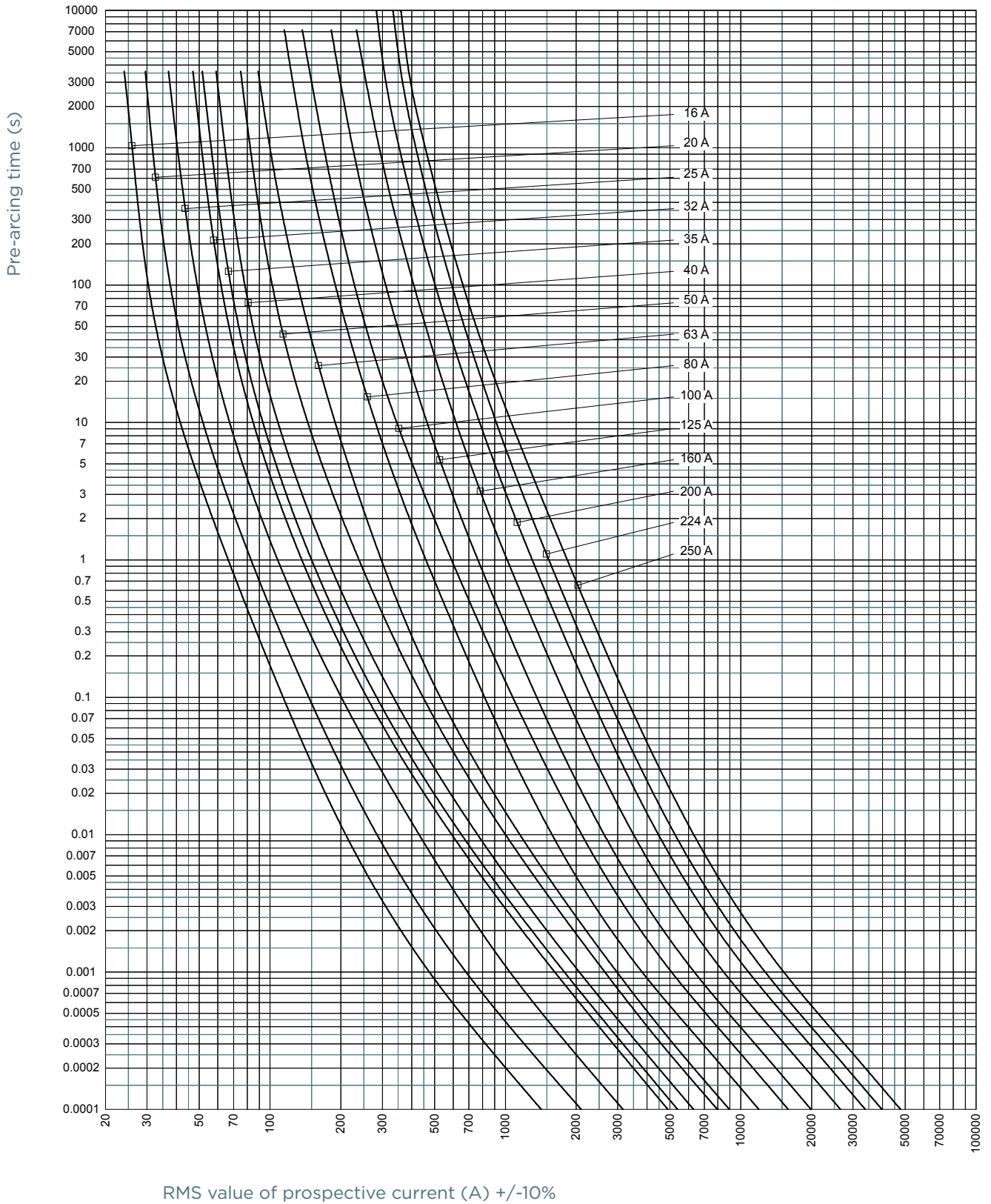
Size 0



MERSEN reserves the right to change, update or correct, without notice, any information contained in this datasheet.

TIME CURRENT CHARACTERISTIC CURVES

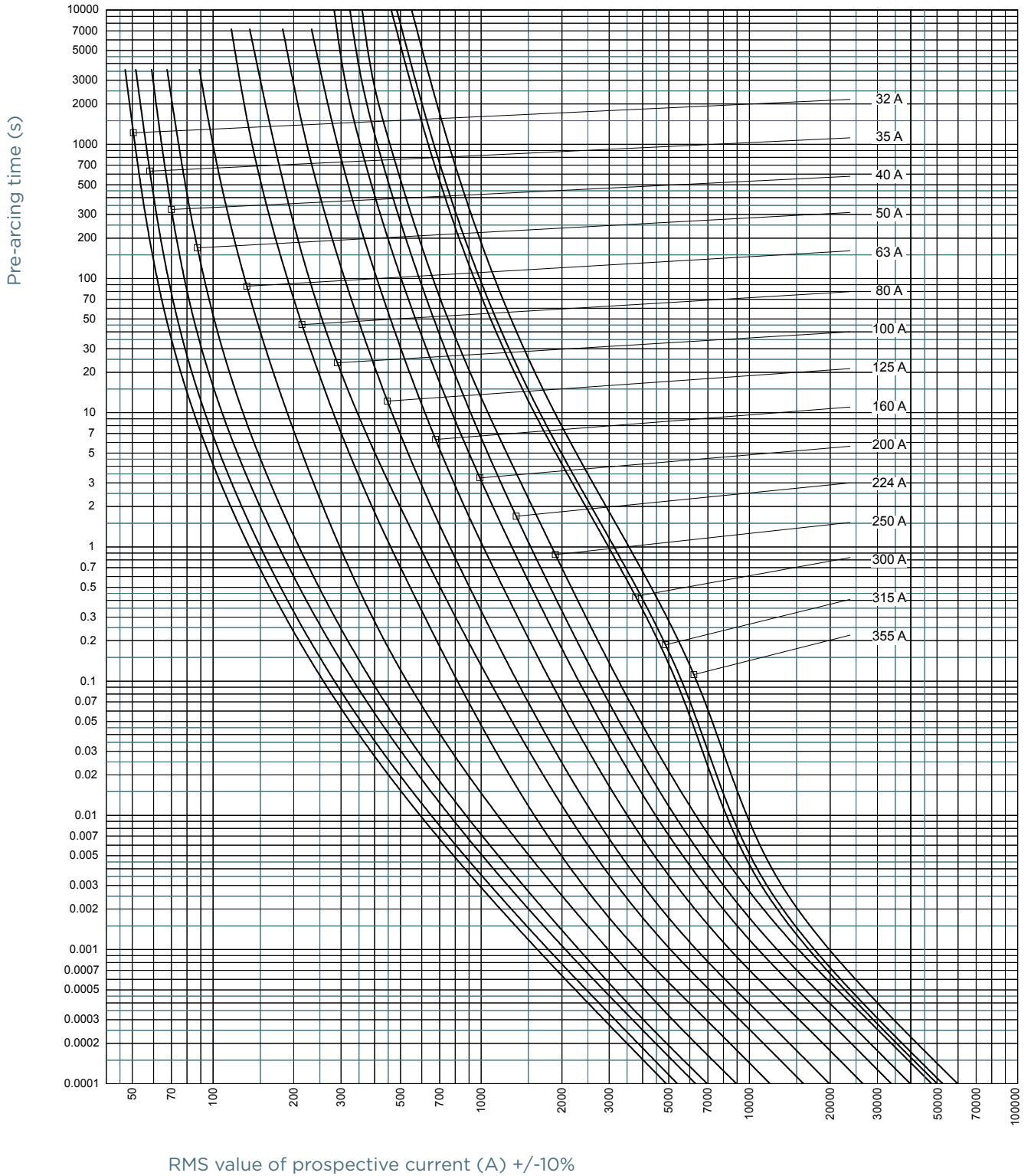
Size 1



MERSEN reserves the right to change, update or correct, without notice, any information contained in this datasheet.

TIME CURRENT CHARACTERISTIC CURVES

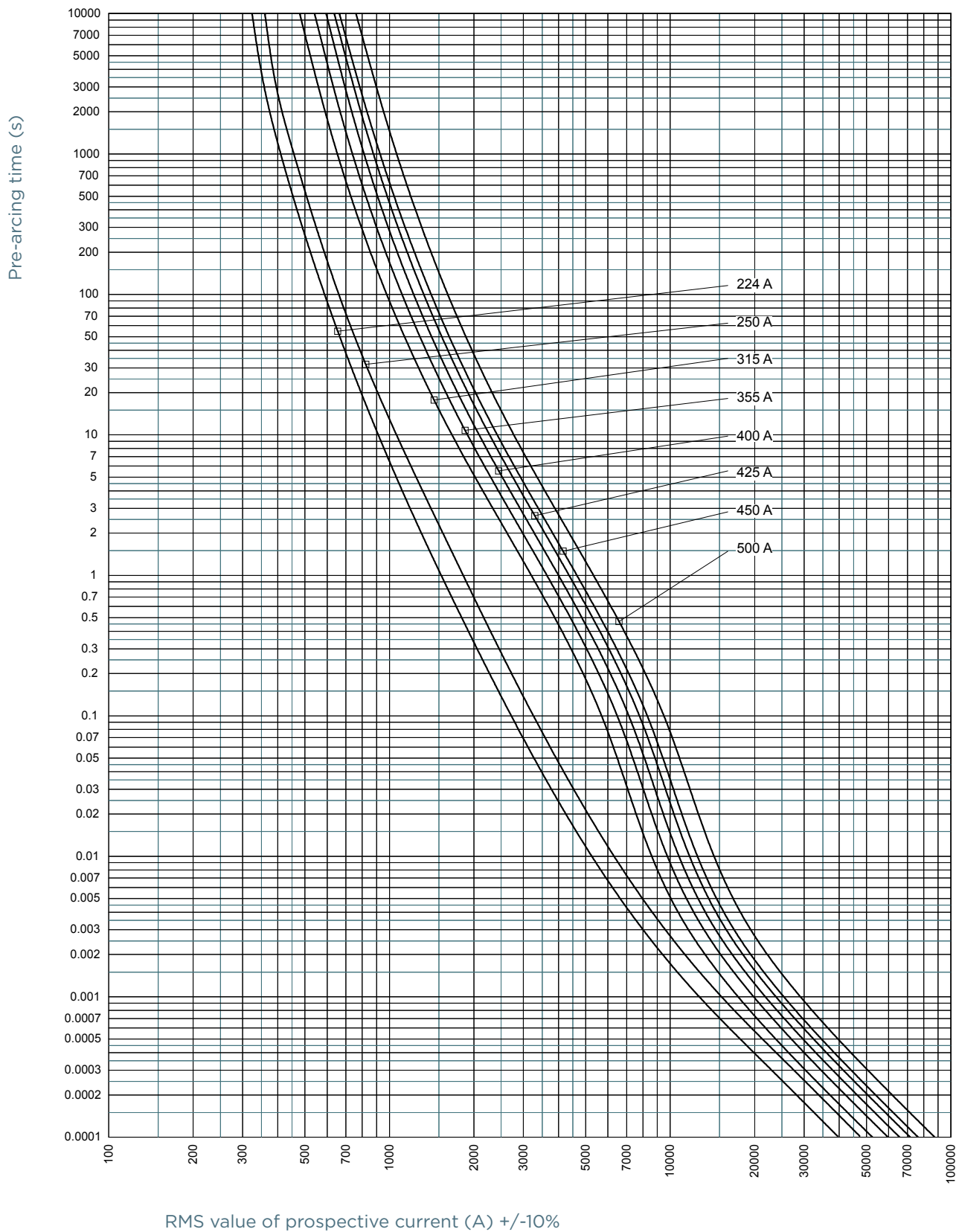
Size 2



MERSEN reserves the right to change, update or correct, without notice, any information contained in this datasheet.

TIME CURRENT CHARACTERISTIC CURVES

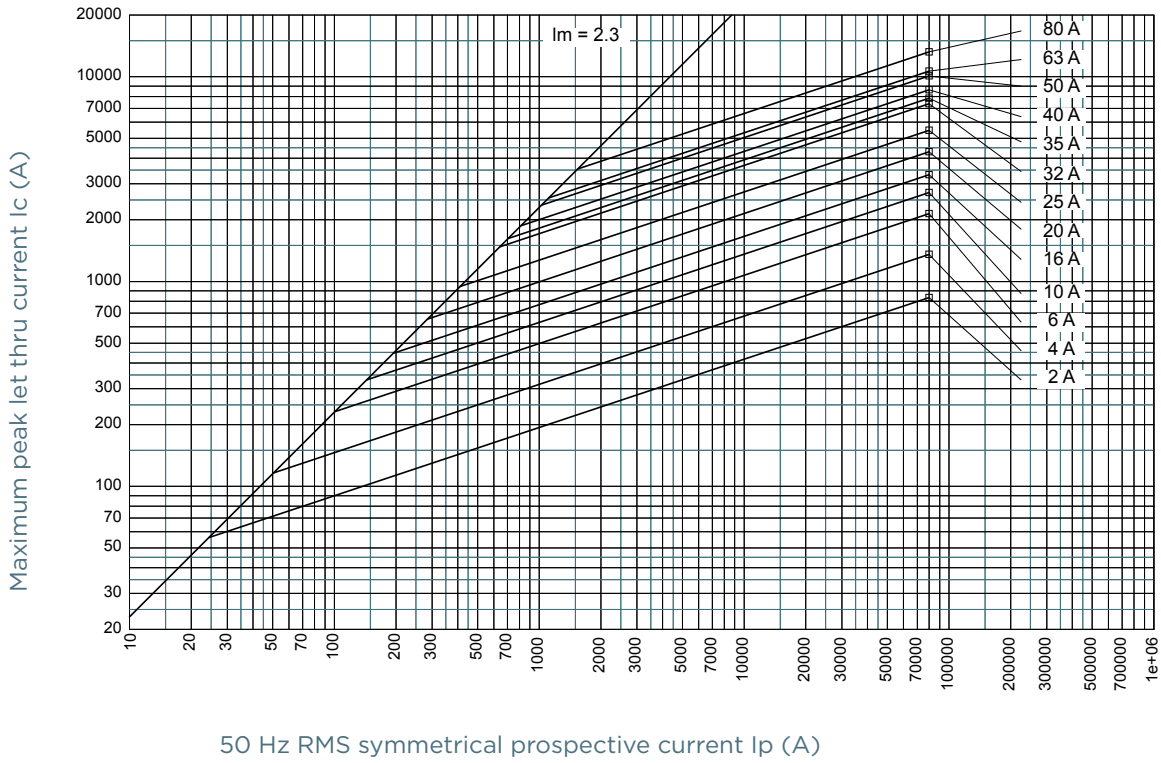
Size 3



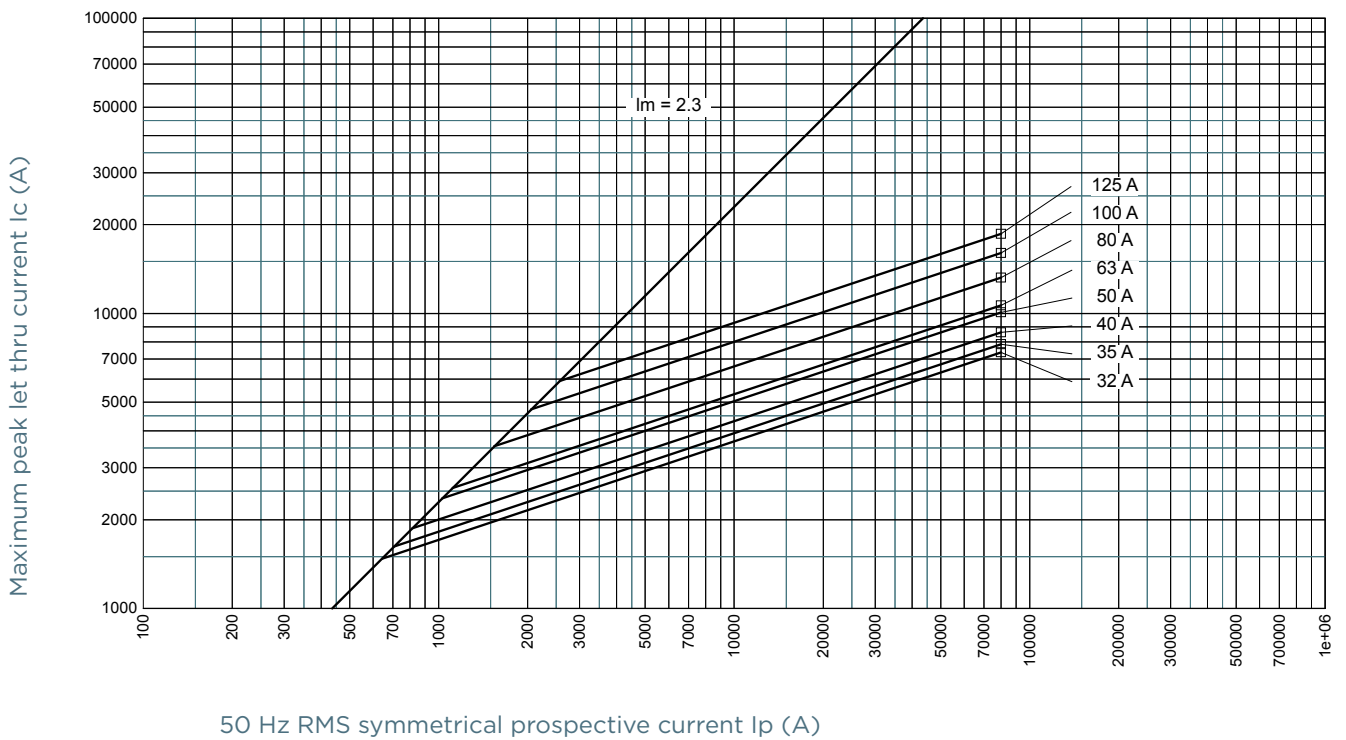
MERSEN reserves the right to change, update or correct, without notice, any information contained in this datasheet.

CUT-OFF CURRENT CHARACTERISTIC

Size 000



Size 00

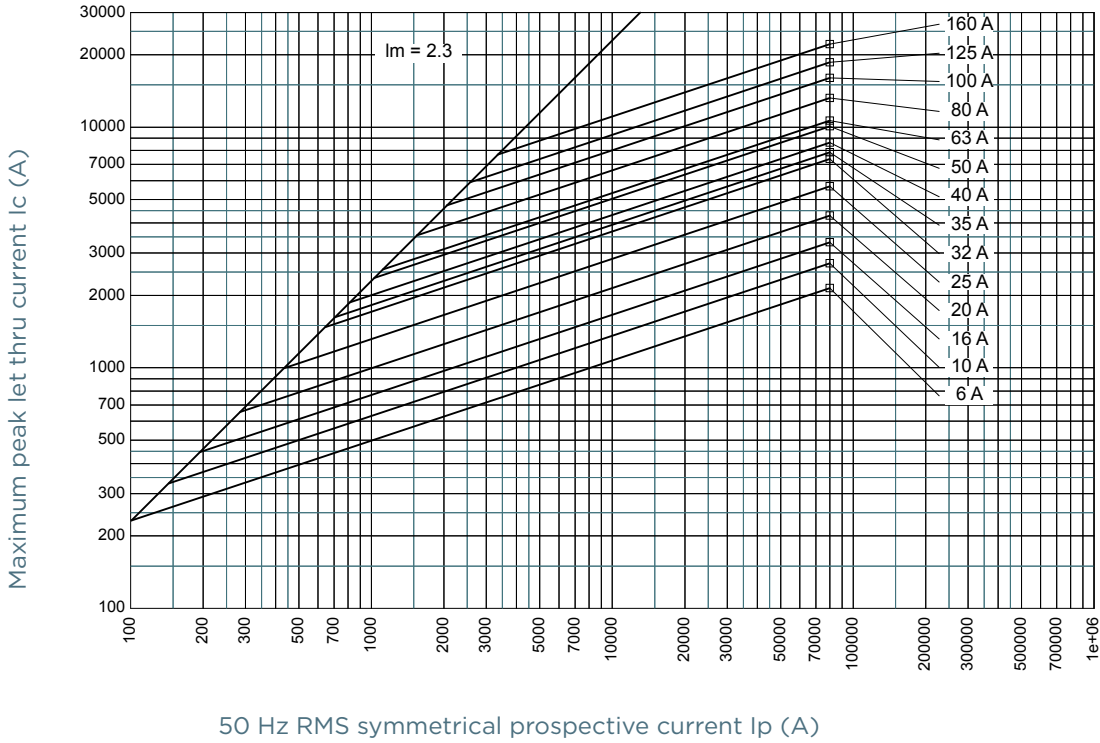


NH fuse-links gG 690VAC

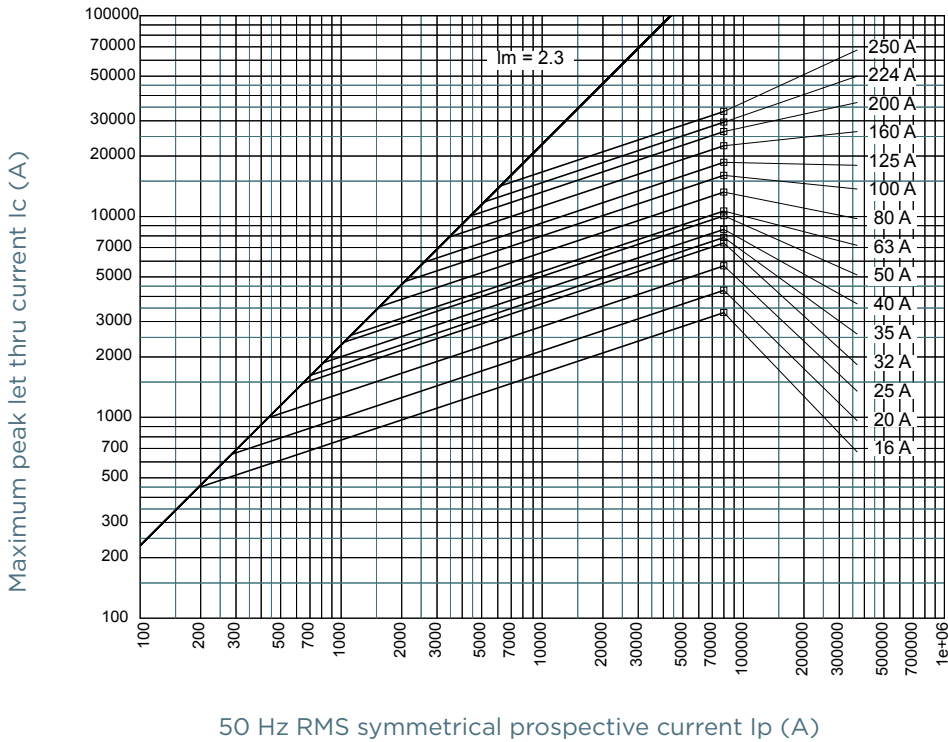
double indicator/live gripping-lugs size 000, 00, 0, 1, 2, 3

CUT-OFF CURRENT CHARACTERISTIC

Size 0

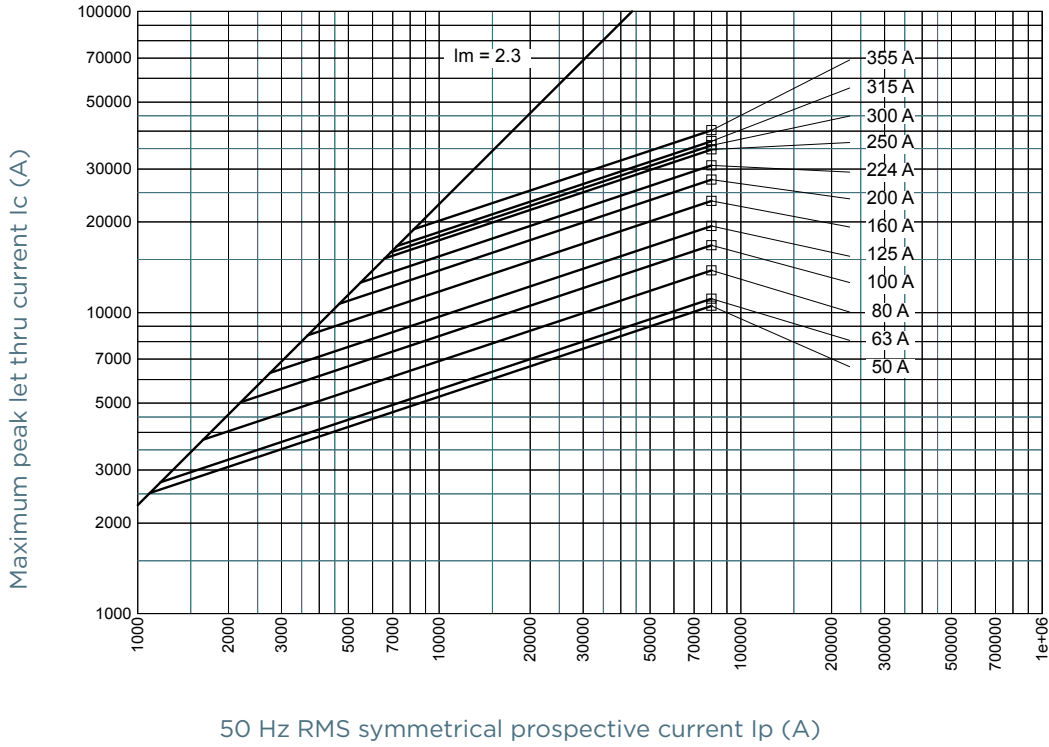


Size 1

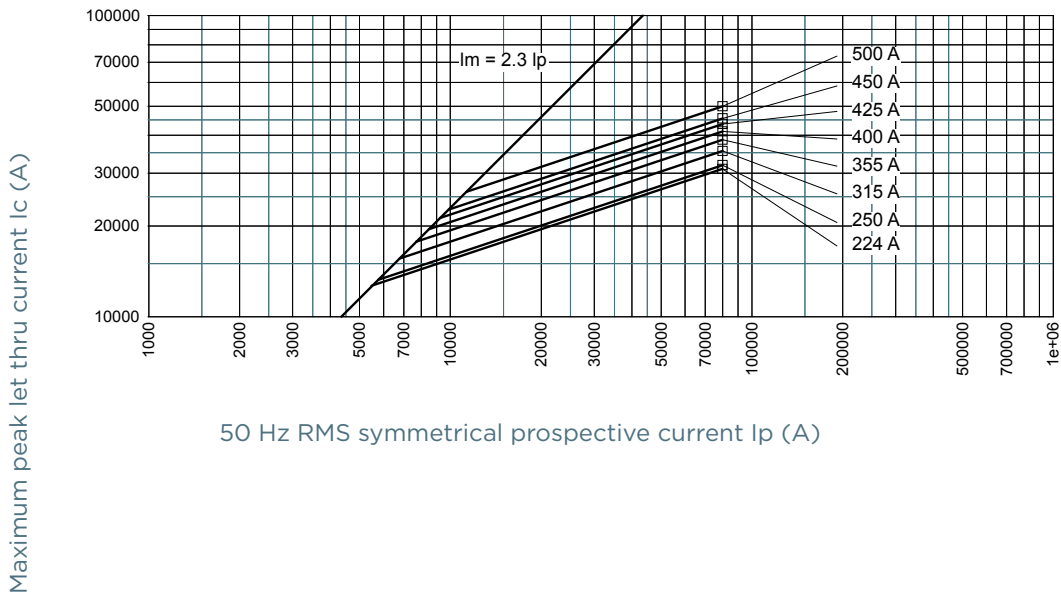


CUT-OFF CURRENT CHARACTERISTIC

Size 2

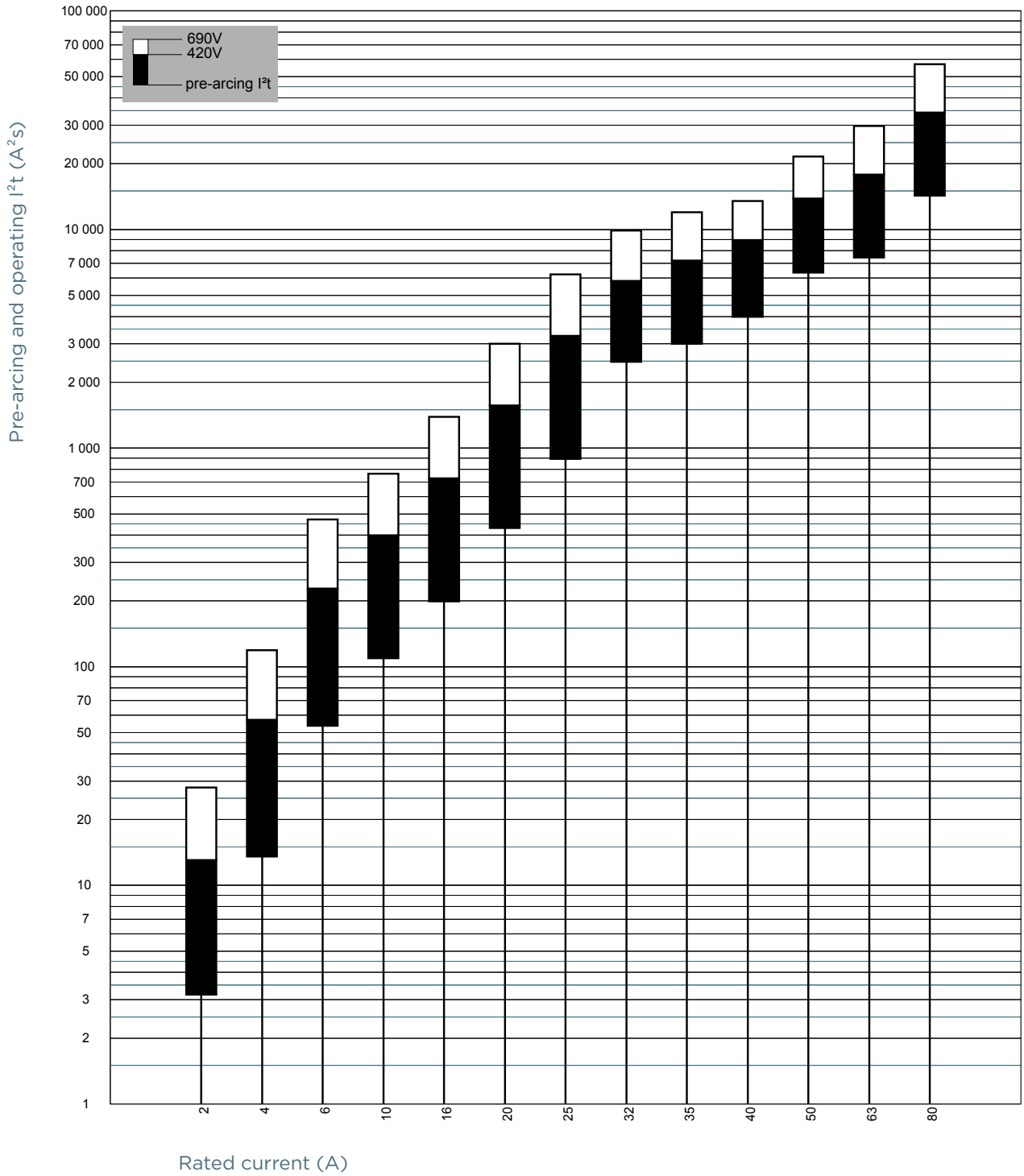


Size 3



PRE-ARCING AND OPERATING I²t CHARACTERISTICS

Size 000



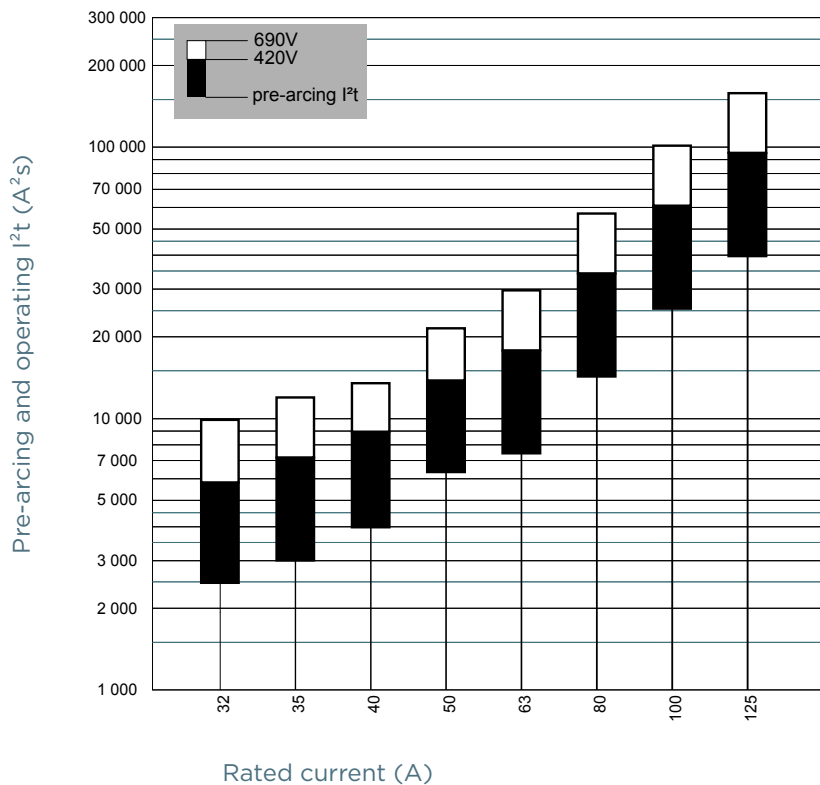
MERSEN reserves the right to change, update or correct, without notice, any information contained in this datasheet.

NH fuse-links gG 690VAC

double indicator/live gripping-lugs size 000, 00, 0, 1, 2, 3

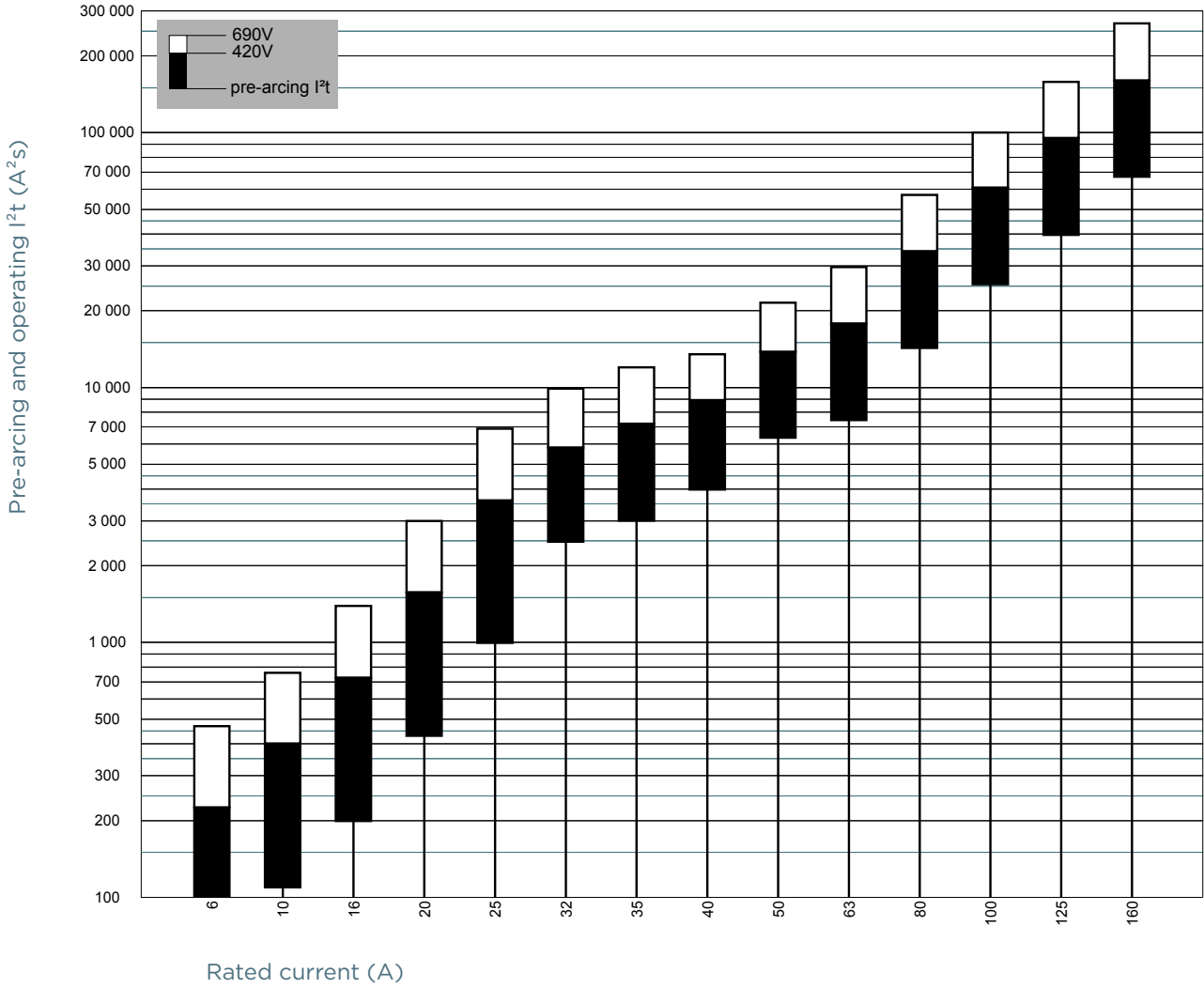
PRE-ARCING AND OPERATING I²t CHARACTERISTICS

Size 00



PRE-ARCING AND OPERATING I²t CHARACTERISTICS

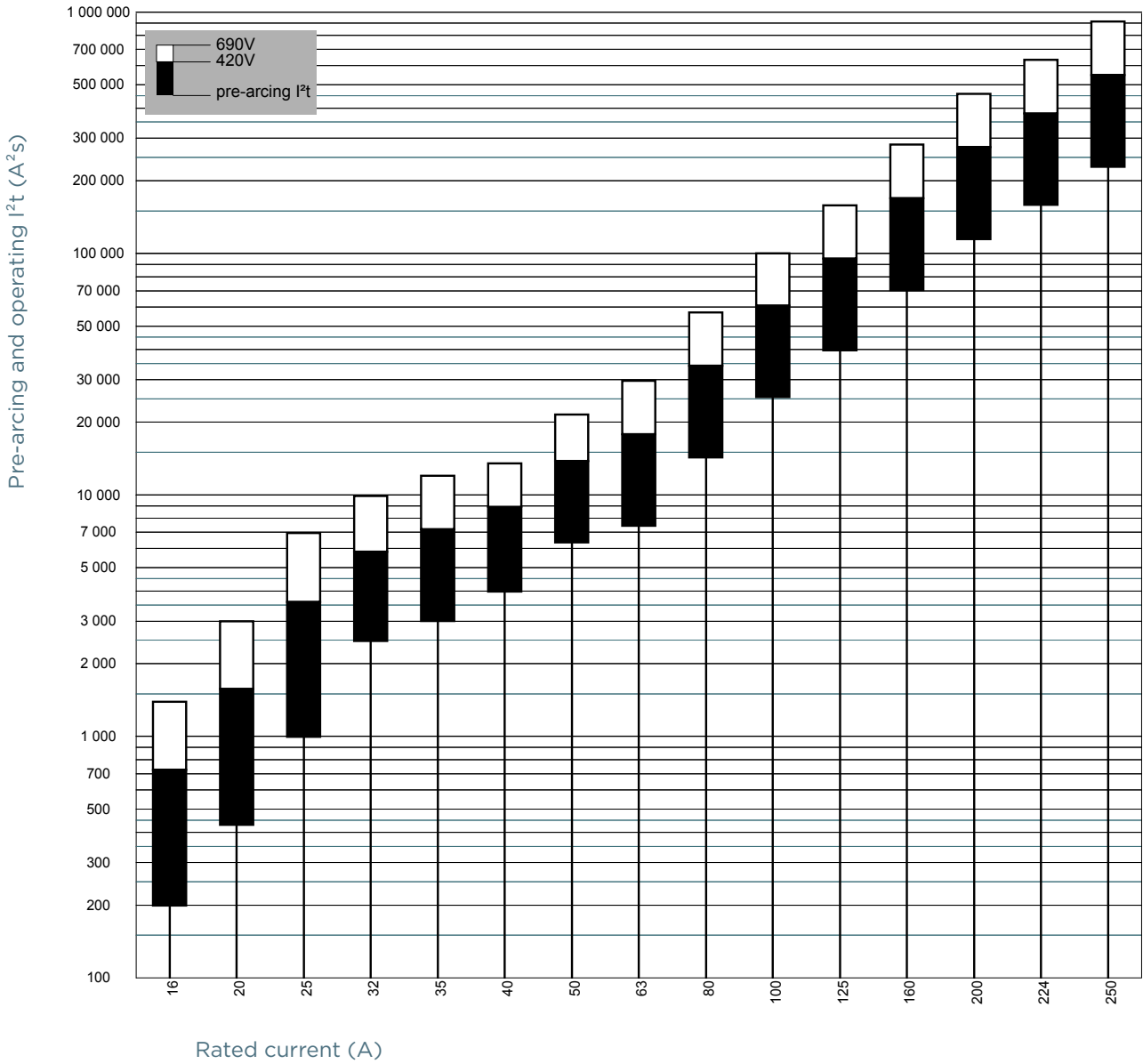
Size 0



MERSEN reserves the right to change, update or correct, without notice, any information contained in this datasheet.

PRE-ARCING AND OPERATING I²T CHARACTERISTICS

Size 1



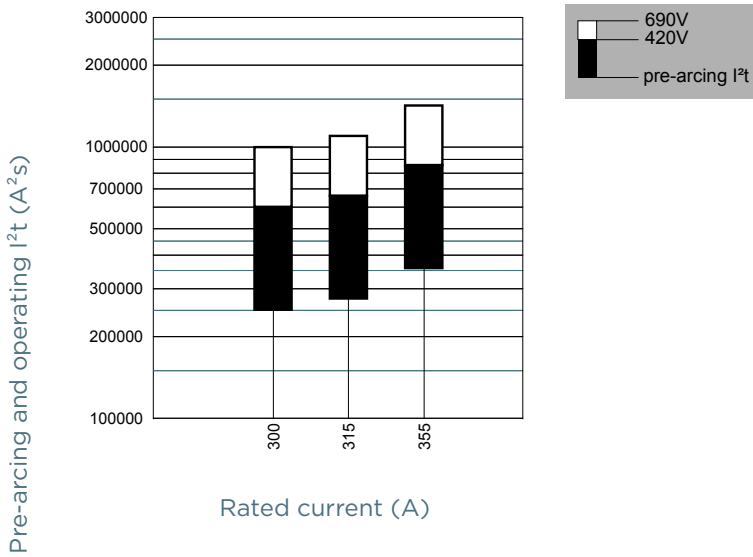
MERSEN reserves the right to change, update or correct, without notice, any information contained in this datasheet.

NH fuse-links gG 690VAC

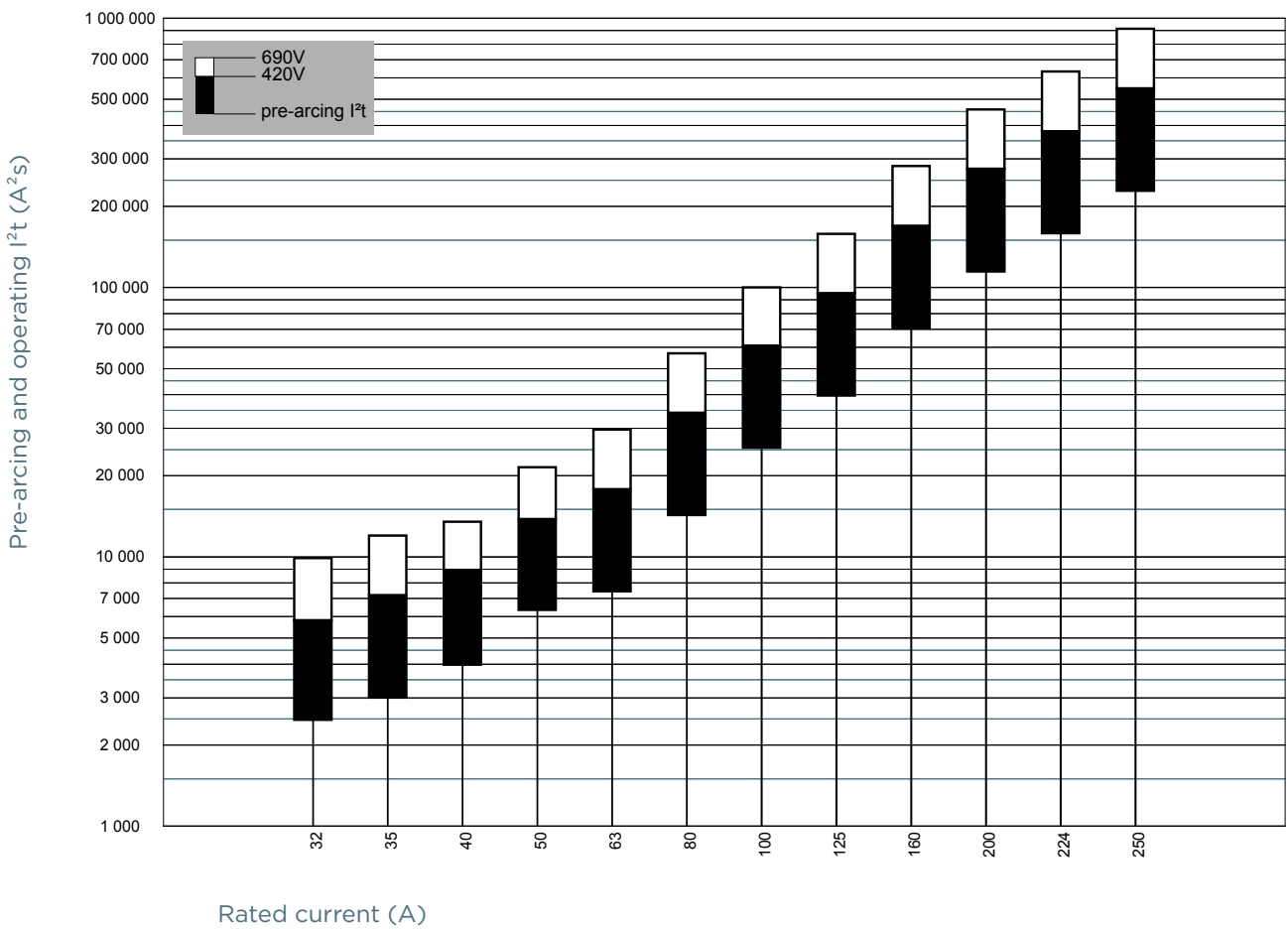
double indicator/live gripping-lugs size 000, 00, 0, 1, 2, 3

PRE-ARCING AND OPERATING I²t CHARACTERISTICS

Size 2, 300 - 355A



Size 2, 32 - 250A



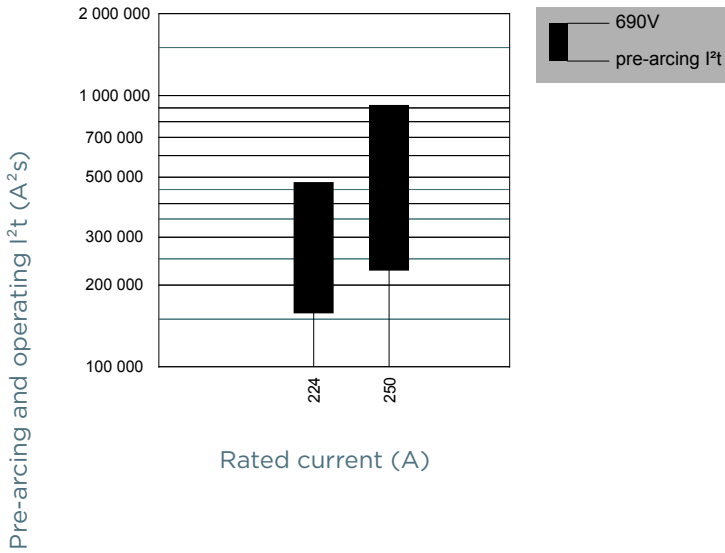
MERSEN reserves the right to change, update or correct, without notice, any information contained in this datasheet.

NH fuse-links gG 690VAC

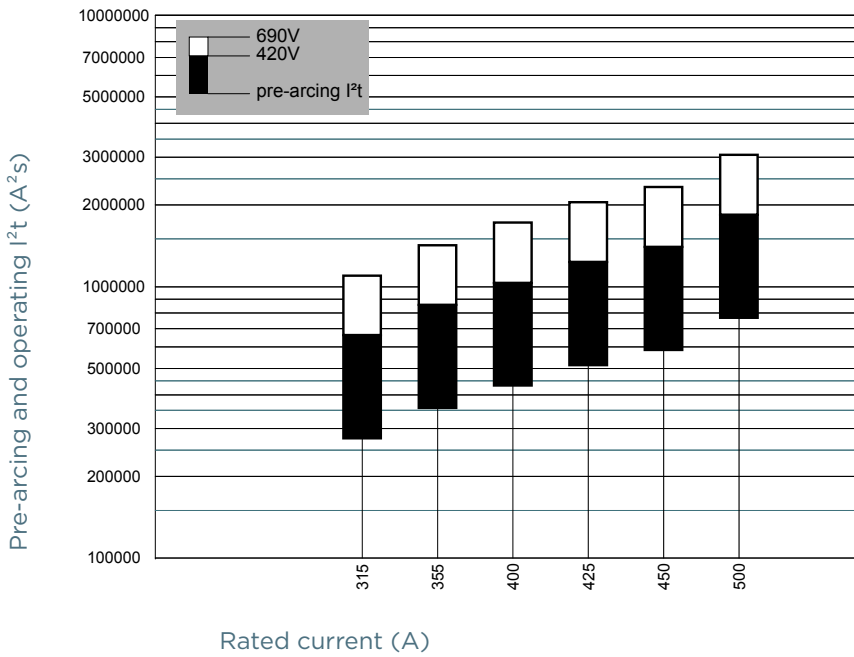
double indicator/live gripping-lugs size 000, 00, 0, 1, 2, 3

PRE-ARCING AND OPERATING I²t CHARACTERISTICS

Size 3, 224 - 250A



Size 3, 315 - 500A



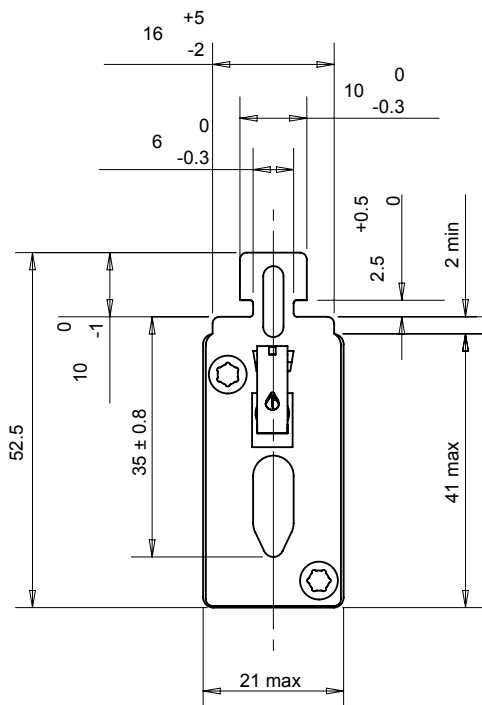
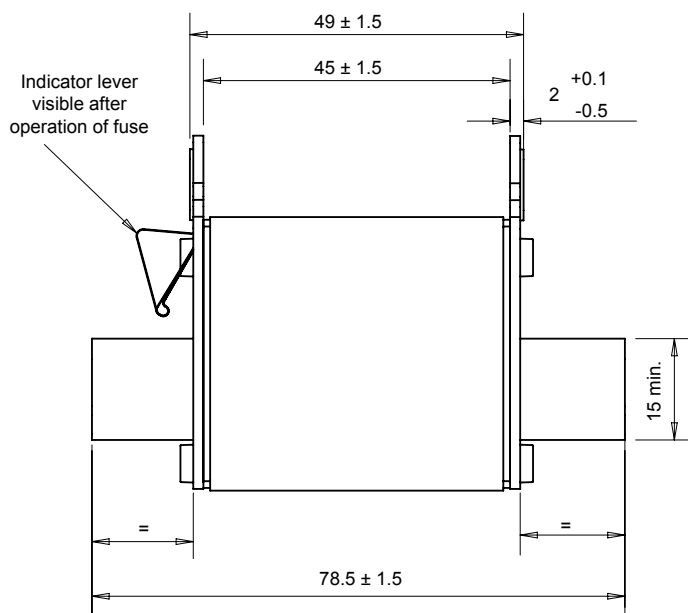
MERSEN reserves the right to change, update or correct, without notice, any information contained in this datasheet.

NH fuse-links gG 690VAC

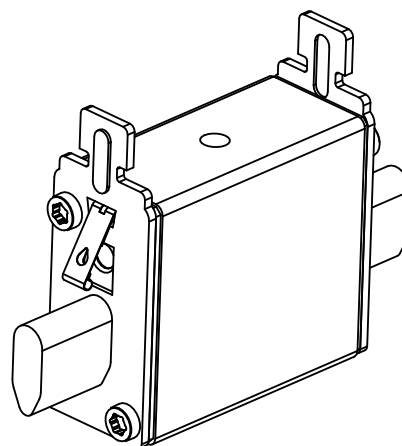
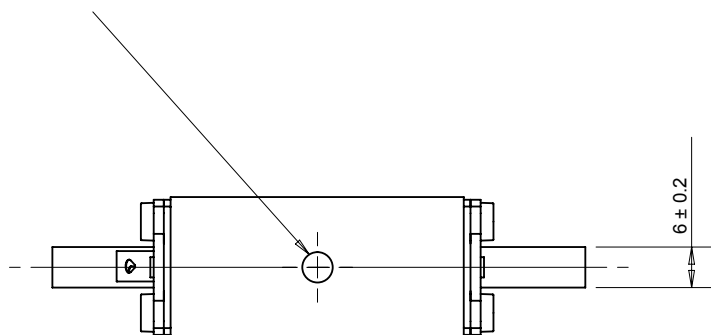
double indicator/live gripping-lugs size 000, 00, 0, 1, 2, 3

DIMENSIONS

Size 000 with double indicator



Visibility of red indicator signals conduction of the fuse-link.
After operation the red indicator is no longer visible



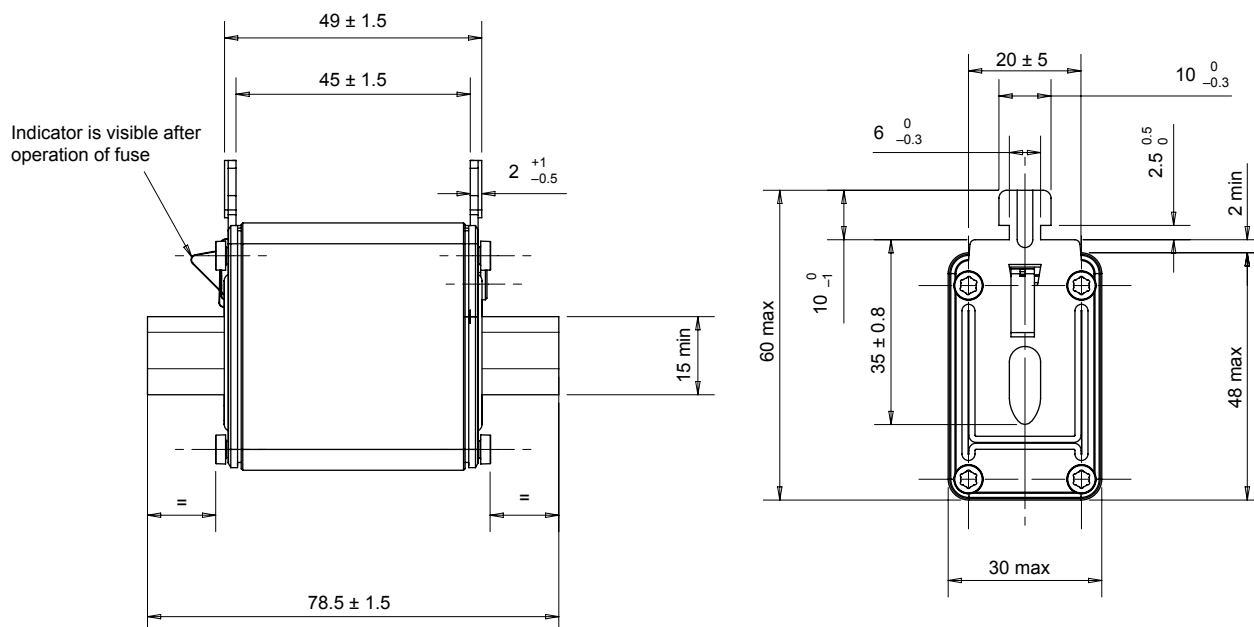
Dimensions in mm

NH fuse-links gG 690VAC

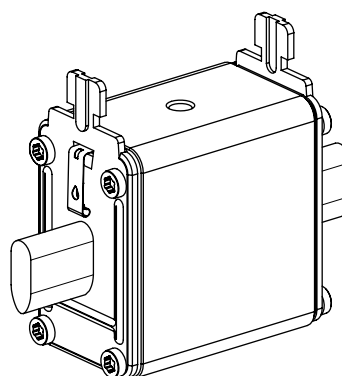
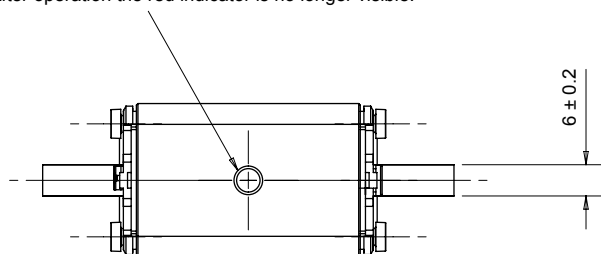
double indicator/live gripping-lugs size 000, 00, 0, 1, 2, 3

DIMENSIONS

Size 00 with double indicator



- Visibility of red indicator signals conduction of the fuse-link. After operation the red indicator is no longer visible.



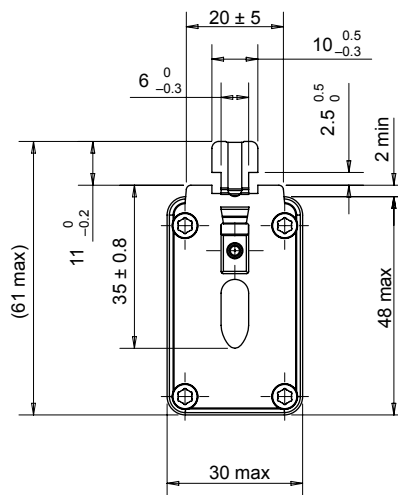
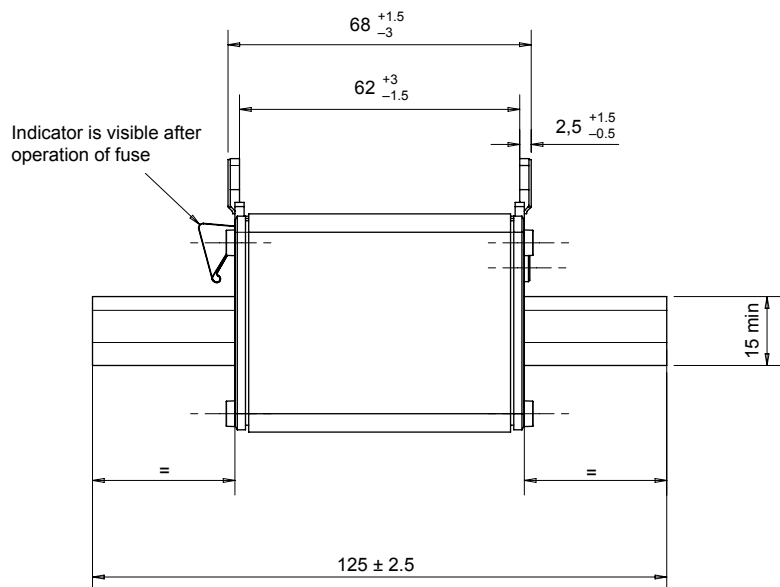
Dimensions in mm

NH fuse-links gG 690VAC

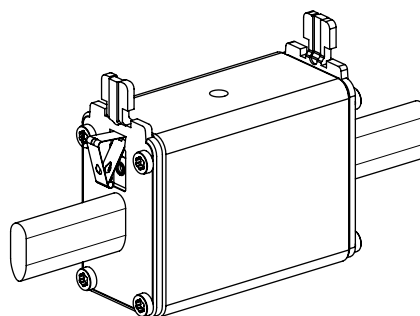
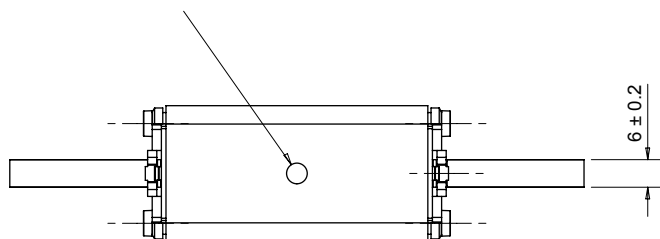
double indicator/live gripping-lugs size 000, 00, 0, 1, 2, 3

DIMENSIONS

Size 0 with double indicator



Visibility of red indicator signals conduction of the fuse-link.
After operation the red indicator is no longer visible.



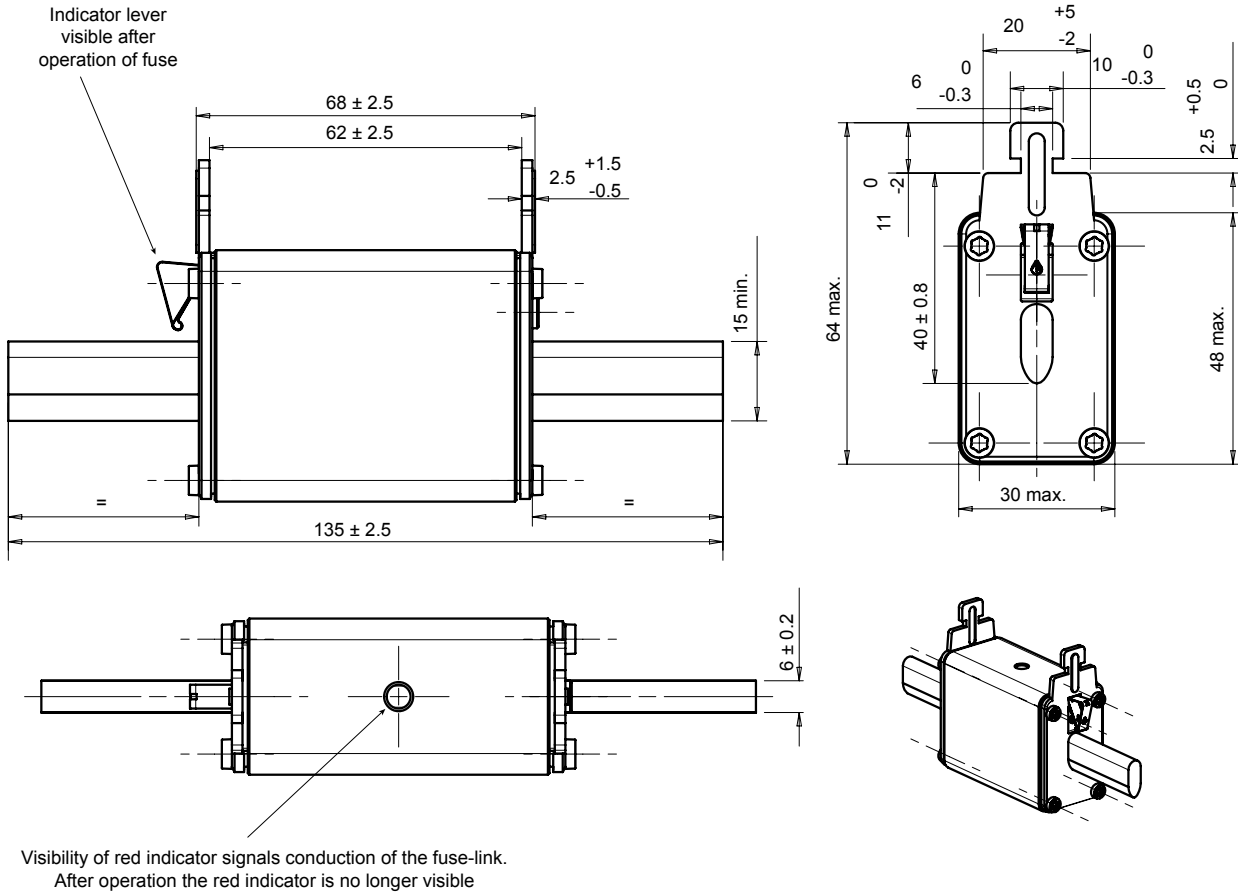
Dimensions in mm

NH fuse-links gG 690VAC

double indicator/live gripping-lugs size 000, 00, 0, 1, 2, 3

DIMENSIONS

Size 1 compact with double indicator (16-100A)



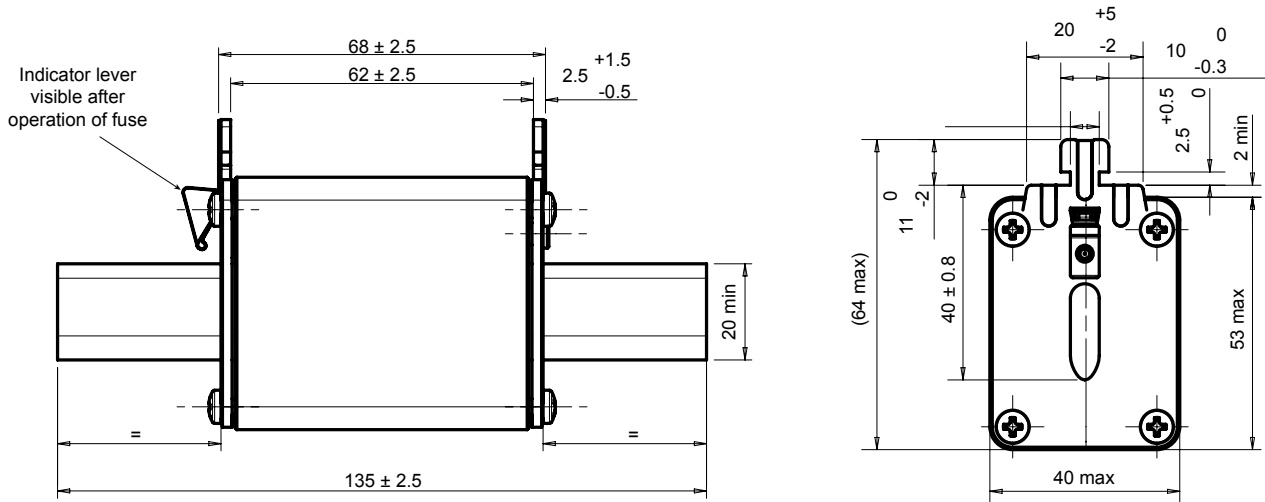
Dimensions in mm

NH fuse-links gG 690VAC

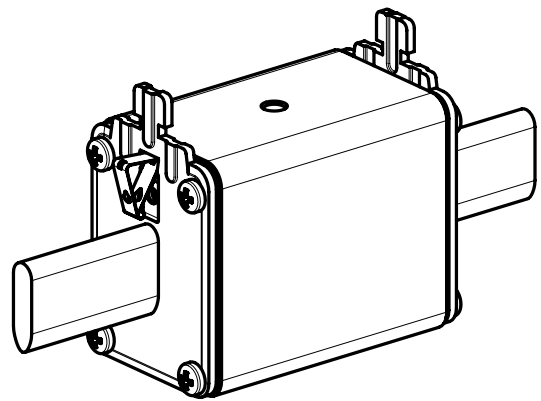
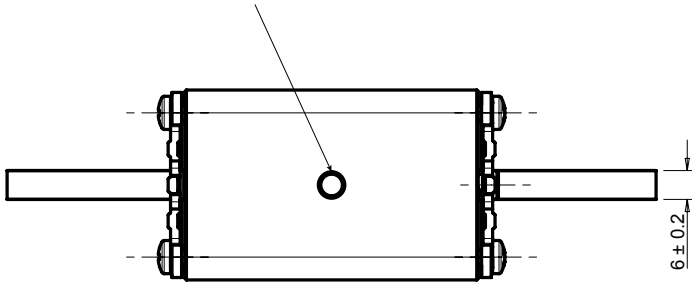
double indicator/live gripping-lugs size 000, 00, 0, 1, 2, 3

DIMENSIONS

Size 1 with double indicator (125-250A)



Visibility of red indicator signals conduction of the fuse-link.
After operation the red indicator is no longer visible



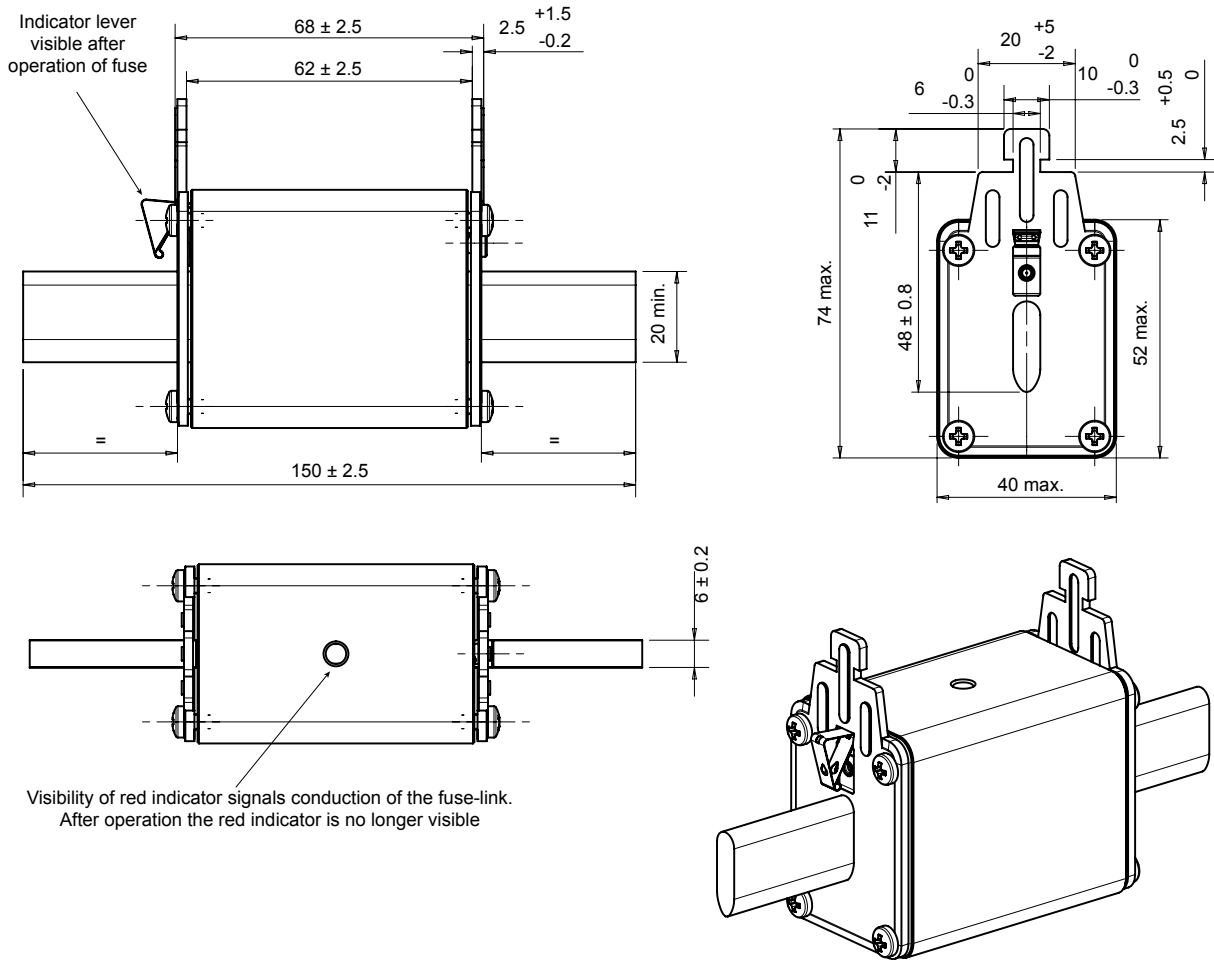
Dimensions in mm

NH fuse-links gG 690VAC

double indicator/live gripping-lugs size 000, 00, 0, 1, 2, 3

DIMENSIONS

Size 2 compact with double indicator (32-250A)



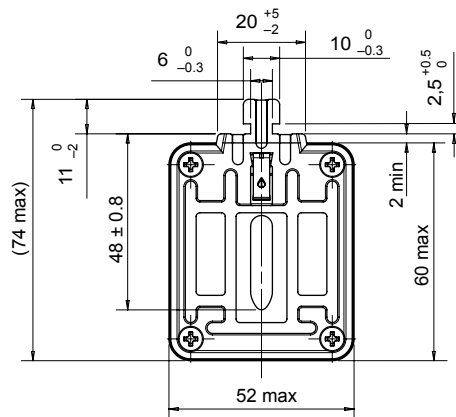
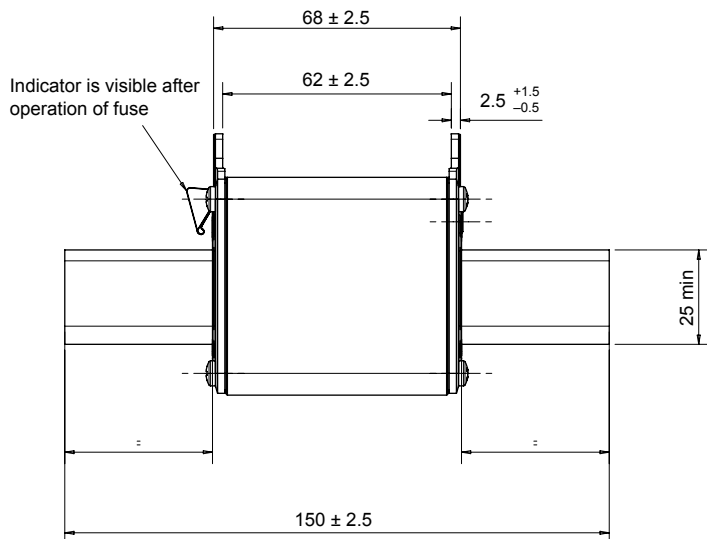
Dimensions in mm

NH fuse-links gG 690VAC

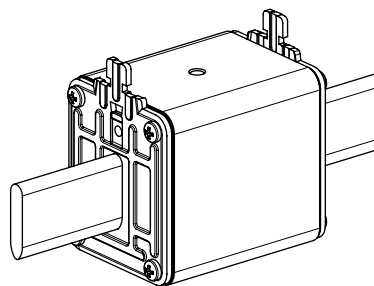
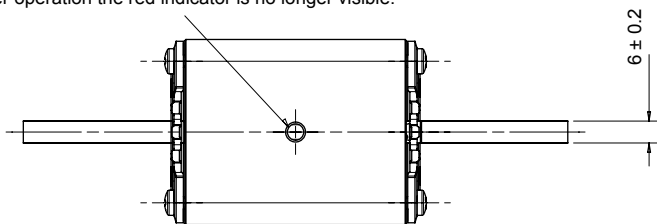
double indicator/live gripping-lugs size 000, 00, 0, 1, 2, 3

DIMENSIONS

Size 2 with double indicator (300-355A)



Visibility of red indicator signals conduction of the fuse-link.
After operation the red indicator is no longer visible.



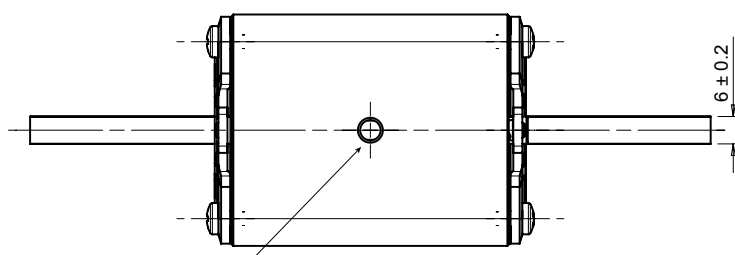
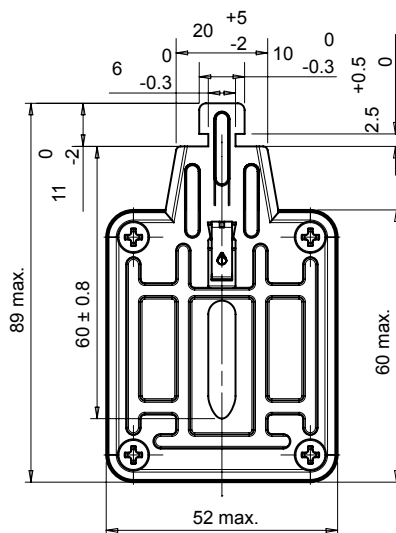
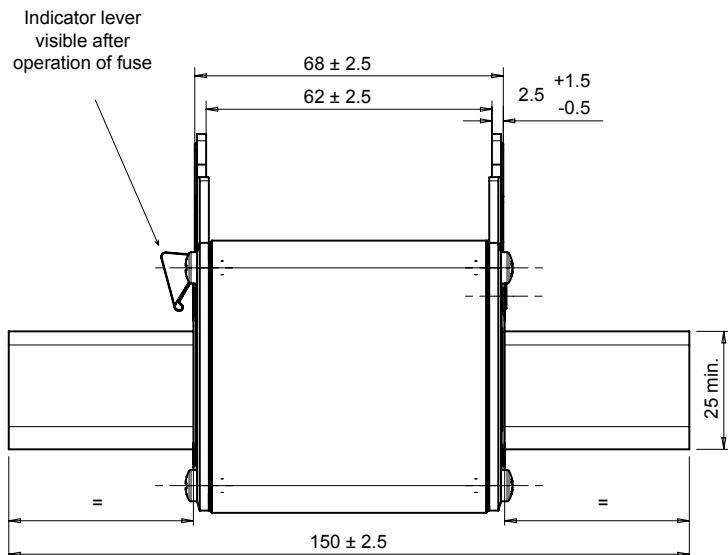
Dimensions in mm

NH fuse-links gG 690VAC

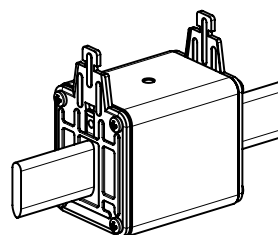
double indicator/live gripping-lugs size 000, 00, 0, 1, 2, 3

DIMENSIONS

Size 3 compact with double indicator (250-355A)



Visibility of red indicator signals conduction of the fuse-link.
After operation the red indicator is no longer visible



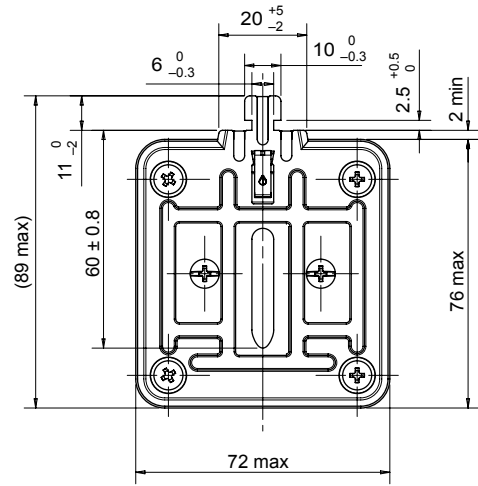
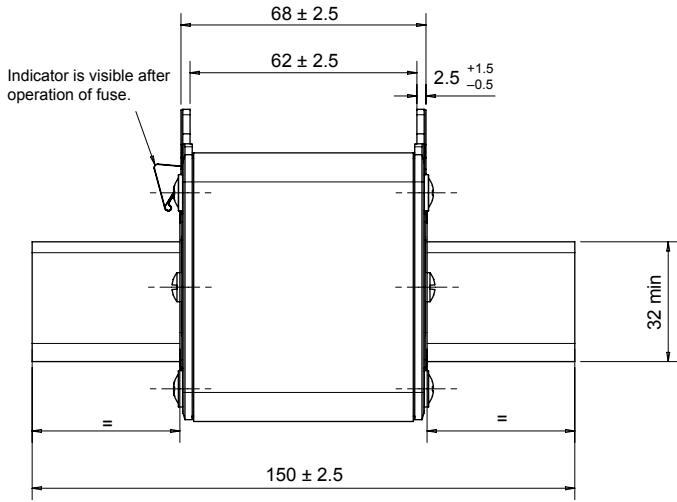
Dimensions in mm

NH fuse-links gG 690VAC

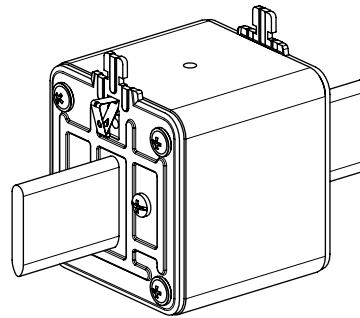
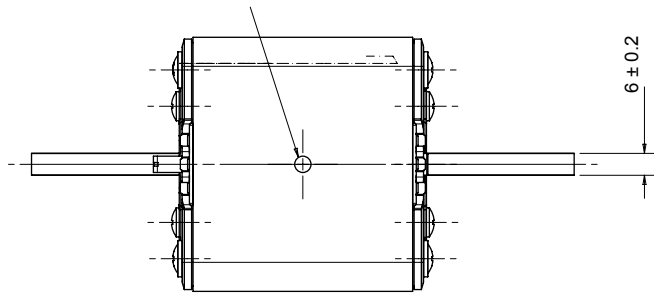
double indicator/live gripping-lugs size 000, 00, 0, 1, 2, 3

DIMENSIONS

Size 3 with double indicator (400-500A)



Visibility of red indicator signals conduction of the fuse-link. After operation the red indicator is no longer visible.



Dimensions in mm