



ENCLOSURE FOR COMMAND DEVICES, 22MM, ROUND, ENCLOSURE MATERIAL PLASTIC, YELLOW TOP PART, WITH PROTECTIVE COLLAR, 1 COMMAND POSITION, A=EMER.-STOP MUSHROOM PUSHBUTTON RED, 40MM, ROT.-TO-UNLATCH MECHANISM, 1NC, 1NC, SCREW TERMINAL, FLOOR MOUNTING, TOP AND BOTTOM 1 X M20 EACH

Enclosure:		
Design of the enclosure		Enclosure for command and signaling devices with standard equipment
Material / of the enclosure		plastic
Color / of top part of the enclosure		yellow
Number of Command Points		1
Product component / protective collar		Yes
Form / of the enclosure front		Square
Design of electrical connection / on enclosure		Cable routing above, below / left, right, each 1 x M20
Type of mounting / of enclosure		Vertical / horizontal
Product function / EMERGENCY STOP function		Yes

Actuato/ signaling device:		
Design of the operating mechanism		Emergency stop mushroom pushbutton
Assembling of the commanding and signaling device		A = Emergency stop mushroom pushbutton
Number of mushroom pushbuttons		1
Number of indicator lights		0
Number of pushbuttons		0
Number of key-operated switches		0
Color / of the activation element		Red
Material / of the activation element		plastic

<b>Product component / front ring</b>		No
<b>Type of unlocking device</b>		rotate-to-unlatch mechanism

#### Holder:

<b>Material / of the holder</b>		Plastic
---------------------------------	--	---------

#### Contact block/ lampholder:

<b>Number of switching elements</b>		2
<b>Number of NC contacts / for auxiliary contacts</b>		2
<b>Number of NO contacts / for auxiliary contacts</b>		0
<b>Number of changeover contacts / for auxiliary contacts</b>		0
<b>Product function / positive opening</b>		Yes
<b>Number of lampholders</b>		0
<b>Type of fixing/fixation / for contact blocks</b>		Floor mounting
<b>Design of electrical connection / of contact blocks, socket, and accessories</b>		Screw-type terminal
<b>Product component / fluorescent materials</b>		No
<b>Product extension / optional / fluorescent materials</b>		No

#### Accessories:

<b>Number of backing plates</b>		0
<b>Number of labeling plates</b>		0
<b>Product component / holder for 3 switching elements</b>		No

#### General technical details:

<b>Type of voltage / of the operating voltage</b>		AC/DC
<b>Operating voltage</b>		
• for DC		
• rated value	V	5 ... 230
• 1 / for DC / rated value	V	230
• at 50 Hz / at AC		
• rated value	V	5 ... 400
• 1 / at 50 Hz / for AC / rated value	V	400
• at 60 Hz / at AC		
• rated value	V	5 ... 300
• 1 / at 60 Hz / for AC / rated value	V	300
<b>Operating current</b>		
• at AC-12		
• at 24 V / rated value	A	10
• at 48 V / rated value	A	10
• at 110 V / rated value	A	10
• at 230 V / rated value	A	10

<ul style="list-style-type: none"> <li>• at 400 V / rated value</li> </ul>	A	10
<ul style="list-style-type: none"> <li>• at AC-15</li> </ul>		
<ul style="list-style-type: none"> <li>• at 24 V / rated value</li> </ul>	A	6
<ul style="list-style-type: none"> <li>• at 48 V / rated value</li> </ul>	A	6
<ul style="list-style-type: none"> <li>• at 110 V / rated value</li> </ul>	A	6
<ul style="list-style-type: none"> <li>• at 230 V / rated value</li> </ul>	A	6
<ul style="list-style-type: none"> <li>• at 400 V / rated value</li> </ul>	A	3
<ul style="list-style-type: none"> <li>• at DC-12</li> </ul>		
<ul style="list-style-type: none"> <li>• at 24 V / rated value</li> </ul>	A	10
<ul style="list-style-type: none"> <li>• at 48 V / rated value</li> </ul>	A	5
<ul style="list-style-type: none"> <li>• at 110 V / rated value</li> </ul>	A	2.5
<ul style="list-style-type: none"> <li>• at 230 V / rated value</li> </ul>	A	1
<ul style="list-style-type: none"> <li>• at DC-13</li> </ul>		
<ul style="list-style-type: none"> <li>• at 24 V / rated value</li> </ul>	A	3
<ul style="list-style-type: none"> <li>• at 48 V / rated value</li> </ul>	A	1.5
<ul style="list-style-type: none"> <li>• at 110 V / rated value</li> </ul>	A	0.7
<ul style="list-style-type: none"> <li>• at 230 V / rated value</li> </ul>	A	0.3
<b>Delivery state / pre-wired on strip terminal</b>		No
<b>Product component / stand/pedestal</b>		No
<b>Resistance against shock</b>		
<ul style="list-style-type: none"> <li>• for devices without incandescent lamp / according to IEC 60068-2-27</li> </ul>		<= 50g
<b>Resistance against vibration / according to IEC 60068-2-6</b>		20 ... 200 Hz: 5g
<b>Item designation</b>		
<ul style="list-style-type: none"> <li>• according to DIN EN 61346-2</li> </ul>		S
<ul style="list-style-type: none"> <li>• according to DIN 40719 extendable after IEC 204-2 / according to IEC 750</li> </ul>		S
<b>Tightening torque / of the screws in the bracket / maximum</b>	N·m	1
<b>Ambient temperature</b>		
<ul style="list-style-type: none"> <li>• during operating</li> </ul>	°C	-25 ... +70
<ul style="list-style-type: none"> <li>• during storage</li> </ul>	°C	-40 ... +80
<b>Protection class IP</b>		IP65
<b>B10 value / with high demand rate / according to SN 31920</b>		100,000
<b>Proportion of dangerous failures / with high demand rate / according to SN 31920</b>	%	20
<b>Proportion of dangerous failures / with low demand rate / according to SN 31920</b>	%	20
<b>Failure rate (FIT value) / with low demand rate / according to SN 31920</b>	FIT	100
<b>T1 value / for proof test interval or service life / according to IEC 61508</b>	a	20

climatic class / during the operating phase / according to EN 60721		3K6
Shape / of the installation hole		round
Mounting diameter	mm	22
Width	mm	85
Height	mm	85
Depth	mm	106

#### Certificates/ approvals:

General Product Approval

Declaration of  
Conformity

Test Certificates



[Special Test Certificate](#)

Shipping Approval

other



ABS



DNV



LRS



PRS

[Confirmation](#)

[Environmental Confirmations](#)

#### Further information:

Information- and Downloadcenter (Catalogs, Brochures,...)

<http://www.siemens.com/industrial-controls/catalogs>

Industry Mall (Online ordering system)

<http://www.siemens.com/industrial-controls/mall>

Cax online generator

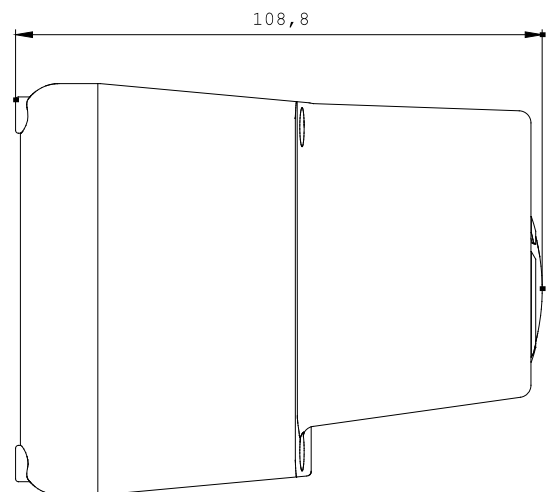
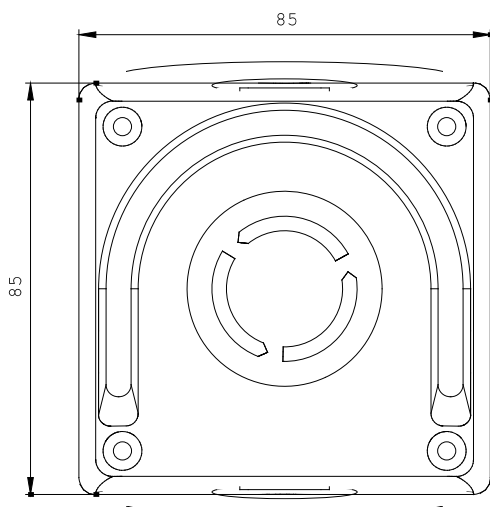
<http://www.siemens.com/cax>

Service&Support (Manuals, Certificates, Characteristics, FAQs,...)

<http://support.automation.siemens.com/WWW/view/en/3SB3801-0EF3/all>

Image database (product images, 2D dimension drawings, 3D models, device circuit diagrams, ...)

[http://www.automation.siemens.com/bilddb/cax\\_en.aspx?mlfb=3SB3801-0EF3](http://www.automation.siemens.com/bilddb/cax_en.aspx?mlfb=3SB3801-0EF3)



last change:

Oct 28, 2013