



SCHUKO SOCKET 16A WITH EARTHING PIN ACC. TO CEE 7 FOR INSTALL. IN DISTRIB. BOARDS

Model			
Design of the product		others	
Cover version		central plate	
Design of the special power supply unit		without special current supply	
Design of the socket / according to VDE 0620 for severe conditions		No	
Design of the phase tap		Without	
General technical data			
Marking / of socket outlet		without imprint	
Mounting type		others	
Surface processing		others	
Material		others	
Protection class			
Protection class IP		IP20	
Main circuit			
Operating frequency	• minimum	Hz	50
	• maximum	Hz	50
Operating voltage	• Rated value	V	230
	• Rated value	A	16
Appearance			
• Color			grey

Product details

Product component		
• Ejection equipment		No
• Labeling field		No
• Increased touch protection		No
• Fault current protection		No
• miniature fuse		No
• Integrated / functional lighting		No
• Integrated / Light source		No
• Integrated / orientation lighting		No
• Hinged lid		No
Product property		
• lockable		No
• halogen-free		Yes
• transparent		No

Product function

Product function		
• Socket selectable		No
• Overvoltage protection		No

Number

Number of units		1
Number of sockets / switchable		0

Connections

Arrangement of contacts / diagonal		
• Design of the electrical connection		screw-type terminal

Mechanical Design

Height	mm	74
Width	mm	44
Depth	mm	71
Mounting type		others
Material		
• of the enclosure		others

General Product Approval

other



[Environmental Confirmations](#)

Further information

Information- and Downloadcenter (Catalogs, Brochures,...)

<http://www.siemens.com/lowvoltage/catalogs>

Industry Mall (Online ordering system)

<https://eb.automation.siemens.com/mall/en/WW/Catalog/Product/5TE6803>

Service&Support (Manuals, Certificates, Characteristics, FAQs,...)

<http://support.automation.siemens.com/WW/view/en/5TE6803/all>

Image database (product images, 2D dimension drawings, 3D models, device circuit diagrams, ...)

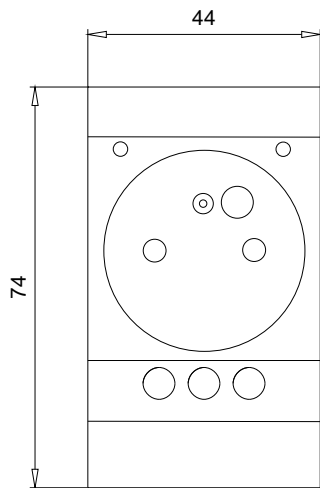
http://www.automation.siemens.com/bilddb/cax_en.aspx?mfb=5TE6803

CAX-Online-Generator

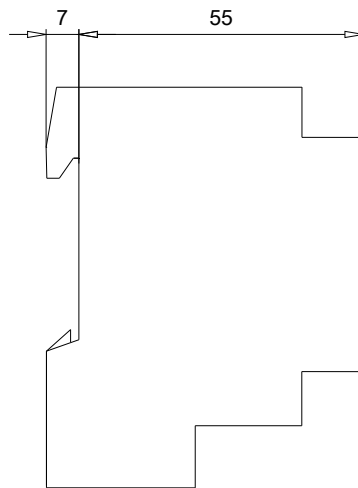
<http://www.siemens.com/cax>

Tender specifications

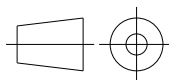
<http://ausschreibungstexte.siemens.com/tiplv>



last modified:



21.10.2014



fSiemens Logo b0 i0 c0 p2;s			
Date:	Name:	Format/Size: DIN A4	nicht massstabsgetreu