

PIC

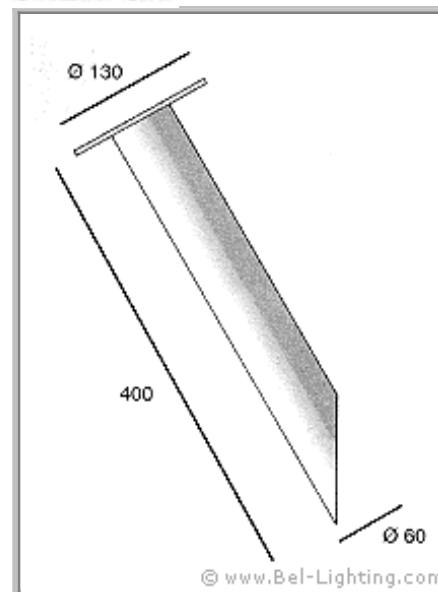
802.00.02

Catalog page:232



BEL LIGHTING

Parc d'Activités Economiques
Avenue Ernest Solvay 42
1480 Saintes (Tubize) - Belgium
Phone + 32(0)2 355 24 28
Fax + 32(0)2 355 03 96
info@bel-lighting.com



couleur : noir
verre :
fixation : sol
Poids net Kg : : 0,4 Kg
Matériaux : corps en acier galvanisé
Dimension (mm) :
43 x 510 (Ø x h)

Farbe : schwarz
Glas :
Befestigung : Grund
Netto Gewicht Kg : : 0,4 Kg
Baumaterial : Körper in galvanised Stahl
Abmessungen (mm) :
43 x 510 (Ø x h)

color : black
glass :
fixing : ground
Net weight Kg : : 0,4 Kg
Matériaux : Body made in galvanised steel
Dimension (mm) :
43 x 510 (Ø x h)

The data in this document are provided in good faith and only for your information. This data may not be used against BEL LIGHTING - SENICO, who reserves the right to alter all product data any time, without any notice. BEL LIGHTING - SENICO conditions of sale are always applicable.

PIC

802.00.02

Catalog page:232

kleur : zwart
glass :
bevestiging : grond
Netto gewicht Kg : : 0,4 Kg
Raw materialen : lichaam in galvanised metaal
Afmetingen (mm) :
43 x 510 (Ø x h)



LIGHTING CREATOR

χρωμα : μαυρο
γυαλι :
τοποθετηση : εδαφος
καθαρο βαρος : 0,4 Kg
υλικα που χρησιμοποιουνται : σωμα από σιδερο (galvanised)
διαστασεις (mm) :
43 x 510 (Ø x h)

BEL LIGHTING

Parc d'Activités Economiques
Avenue Ernest Solvay 42
1480 Saintes (Tubize) - Belgium
Phone + 32(0)2 355 24 28
Fax + 32(0)2 355 03 96
info@bel-lighting.com

The data in this document are provided in good faith and only for your information. This data may not be used against BEL LIGHTING - SENICO, who reserves the right to alter all product data any time, without any notice. BEL LIGHTING - SENICO conditions of sale are always applicable.