

# Bar-through CT

## References



Primary	Secondary	TBA 60			TBA 100		T2BA 100	
		Class 0.5	Class 1	Reference	Class 0.5	Reference	Class 0.2s	Reference
200 A	5 A		2.5 VA	192T 7020				
250 A	5 A		2.5 VA	192T 7025				
300 A	5 A		2.5 VA	192T 7030				
400 A	5 A		5 VA	192T 7040				
500 A	5 A		5 VA	192T 7050				
600 A	5 A		10 VA	192T 7060	5 VA	192T 8060		
750 A	5 A		10 VA	192T 7075	5 VA	192T 8075		
800 A	5 A		10 VA	192T 7080	5 VA	192T 8080		
1000 A	5 A		15 VA	192T 7090	5 VA	192T 8090		
1200 A	5 A		15 VA	192T 7092	10 VA	192T 8092	7.5 VA	192U 8092
1250 A	5 A		15 VA	192T 7093	10 VA	192T 8093	7.5 VA	192U 8093
1500 A	5 A		15 VA	192T 7095	15 VA	192T 8095	7.5 VA	192U 8095
1600 A	5 A		15 VA	192T 7094	15 VA	192T 8094		
2000 A	5 A		15 VA	192T 7096	15 VA	192T 8096	7.5 VA	192U 8096
2500 A	5 A				30 VA	192T 8097	7.5 VA	192U 8097
3000 A	5 A				30 VA	192T 8098	7.5 VA	192U 8098
4000 A	5 A				30 VA	192T 8099 <sup>(1)</sup>		

(1) Specific dimensions for this rating, see diagram.



Primary	Secondary	TBA 103		T2BA 103		TBA 127		T2BA 127	
		Class 0.5	Class 1	Class 0.2s	Reference	Class 0.5	Reference	Class 0.2s	Reference
400 A	5 A		5 VA		192T 9340	2.5 VA	192T 9740		
500 A	5 A		5 VA		192T 9350	2.5 VA	192T 9750		
600 A	5 A		5 VA		192T 9360	2.5 VA	192T 9760		
750 A	5 A	2.5 VA			192T 9375	2.5 VA	192T 9775		
800 A	5 A	5 VA			192T 9380	5 VA	192T 9780		
1000 A	5 A	10 VA		7.5 VA	192T 9390	10 VA	192T 9790		
1200 A	5 A	10 VA		5 VA	192T 9392	10 VA	192T 9792	5 VA	192U 9792
1250 A	5 A	10 VA		7.5 VA	192T 9393	10 VA	192T 9793	5 VA	192U 9793
1500 A	5 A	15 VA		7.5 VA	192T 9395	15 VA	192T 9795	7.5 VA	192U 9795
1600 A	5 A	10 VA			192T 9394	15 VA	192T 9794		
2000 A	5 A	15 VA			192T 9396	15 VA	192T 9796	7.5 VA	192U 9796
2500 A	5 A					15 VA	192T 9797		
3000 A	5 A					25 VA	182T 9798		
4000 A	5 A					30 VA	182T 9799		

## Accessories

Description of accessories	TBA 60 Reference	TBA 100 Reference	T2BA 100 Reference	TBA 103 Reference	T2BA 103 Reference	TBA 127 Reference	T2BA 127 Reference
Sealable cover	192T 0102	192T 0102	192T 0102	192T 0102	192T 0102	192T 0102	192T 0102

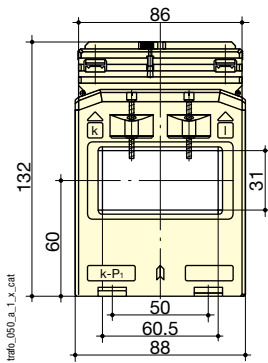
CT Plug-in transducer (CEA-VA)		TBA 100 Reference
Power supply	Output	Reference
Self supplied	0-20 mA / 0-10 VDC	192Y 0045
230 VAC	0-20 mA / 0-10 VDC	192Y 0245
24 VDC	0-20 mA / 0-10 VDC	192Y 0145

CT Plug-in transducer (CEA-VA4)		TBA 100 Reference
Power supply	Output	Reference
230 VAC	4-20 mA / 0-10 VDC	192Y 0285
24 VDC	4-20 mA / 0-10 VDC	192Y 0185

# Bar-through CT

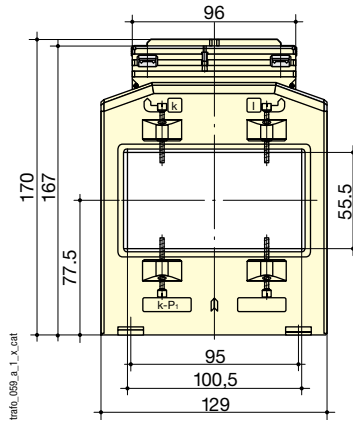
## Dimensions

**TBA 60**

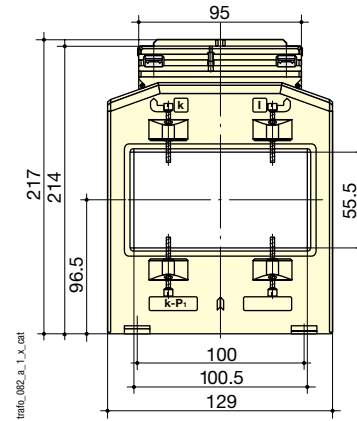


**TBA 100 and T2BA 100**

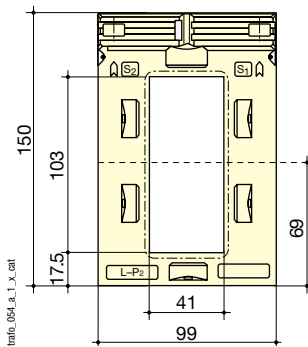
600 to 3000 A



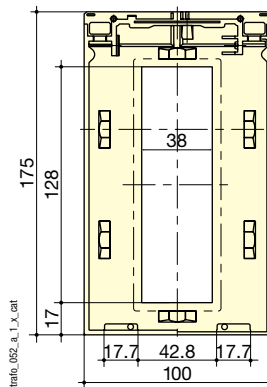
4000 A



**TBA 103 and T2BA 103**



**TBA 127 and T2BA 127**



Bar-through CT	TBA 60	TBA 100	T2BA 100	TBA 103	T2BA 103	TBA 127	T2BA 127
Bar (mm)	60 x 30	100 x 55	100 x 55	103 x 41	103 x 41	128 x 38	128 x 38
H x W x D (mm)	132 x 88 x 78	170 x 129 x 78 <sup>(1)</sup>	170 x 129 x 78	150 x 99 x 58	150 x 99 x 58	175 x 100 x 55	175 x 100 x 55

(1) TBA 100 with 4000 A primary, different dimensions.

# Bar or cable-through three-phase CT

## References

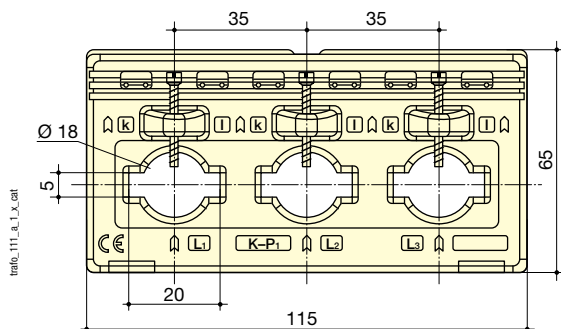


Primary	Secondary <sup>(1)</sup>	TCB3 18-20		TCB3 22-30	
		Class	Reference	Class	Reference
3 x 100 A	3 x 5 A	1 VA	192T 3310		
3 x 150 A	3 x 5 A	1.25 VA	192T 3315		
3 x 200 A	3 x 5 A	1.5 VA	192T 3320		
3 x 250 A	3 x 5 A	2.5 VA	192T 3325	2.5 VA	192T 3425
3 x 300 A	3 x 5 A			3.75 VA	192T 3430
3 x 400 A	3 x 5 A			5 VA	192T 3440
3 x 500 A	3 x 5 A			5 VA	192T 3450
3 x 600 A	3 x 5 A			5 VA	192T 3460

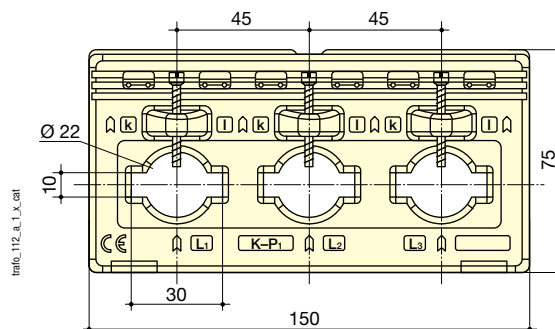
(1) Secondary 1 A; on request.

## Dimensions

TCB3 18-20



TCB3 22-30



Bar or cable-through three-phase CT	TCB3 18-20	TCB3 22-30
Ø cable (mm)	18	22
H x W x D (mm)	115 x 65 x 37	150 x 75 x 37
DIN rail mounting.	no	no

# Modular cable-through three phase CT

## References

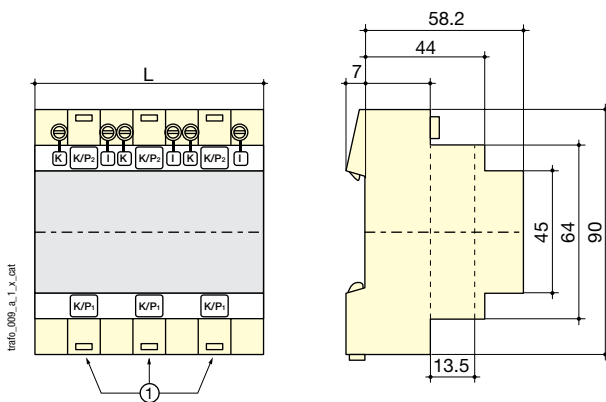


Primary	Secondary <sup>(1)</sup>	TCA 13 - 3P		
		Class 0.5	Class 1	Reference
3 x 50 A	5 A	1 VA		192T 1905
3 x 60 A	5 A	1.25 VA		192T 1906
3 x 75 A	5 A	1.5 VA		192T 1907
3 x 80 A	5 A	1.5 VA		192T 1908
3 x 100 A	5 A		2.5 VA	192T 1910
3 x 125 A	5 A		2.5 VA	192T 1912
3 x 150 A	5 A		2.5 VA	192T 1915
3 x 160 A	5 A		2.5 VA	192T 1916

(1) Secondary 1 A: on request.

## Dimensions

### TCA 13 - 3P

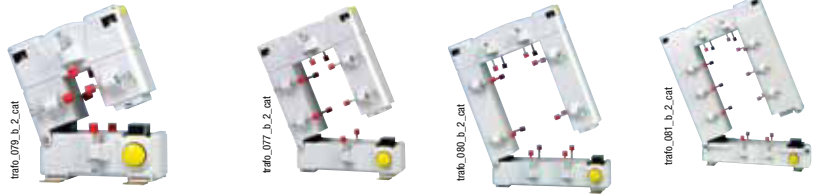


(1) Cable-through aperture Ø 13.5mm.

Number of optional modules	Front protection rating	Terminal block protection rating	W (mm)	Mounting
6	IP65	IP20	105	35 mm DIN-rail

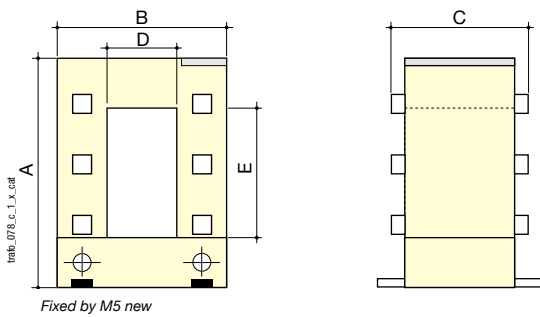
# Bar through split-core CT

## References



Primary	Secondary	TO 23		TO 58		TO 812		TO 816		
		Class 0.5	Class 1 VA	Class 0.5	Reference	Class 0.5	Reference	Class 0.5	Reference	
100 A	5 A		1.25 VA	192T 4601						
150 A	5 A		1.5 VA	192T 4602						
200 A	5 A		1.5 VA	192T 4603						
250 A	5 A		1.5 VA	192T 4604	1 VA	192T 4625	1 VA	192T 4725		
300 A	5 A	1.5 VA		192T 4605	1.5 VA	192T 4630	1.5 VA	192T 4730		
400 A	5 A	2.5 VA		192T 4606	1.5 VA	192T 4640	1.5 VA	192T 4740		
500 A	5 A				2.5 VA	192T 4650	2.5 VA	192T 4750		
600 A	5 A				2.5 VA	192T 4660	2.5 VA	192T 4760		
750 A	5 A				2.5 VA	192T 4675	2.5 VA	192T 4775		
800 A	5 A				2.5 VA	192T 4680	2.5 VA	192T 4780		
1000 A	5 A				5 VA	192T 4610	5 VA	192T 4710	10 VA	192T 4810
1250 A	5 A						7.5 VA	192T 4712	10 VA	192T 4812
1500 A	5 A						7.5 VA	192T 4715	10 VA	192T 4815
1600 A	5 A								10 VA	192T 4814
2000 A	5 A								10 VA	192T 4820
2500 A	5 A								10 VA	192T 4825
3000 A	5 A								15 VA	192T 4830
4000 A	5 A								15 VA	192T 4840
5000 A	5 A								15 VA	192T 4850

## Dimensions



### Dimensions (mm)

Type	A (mm)	B (mm)	C (mm)	D (mm)	E (mm)
TO 23	106	93	58	20	30
TO 58	152	125	58	50	80
TO 812	198	155	58	80	120
TO 816	246	195	79	80	160

Bar through split-core CT	TO 23	TO 58	TO 812	TO 816
H x W x D (mm)	106 x 93 x 58	152 x 125 x 58	198 x 155 x 58	246 x 195 x 79