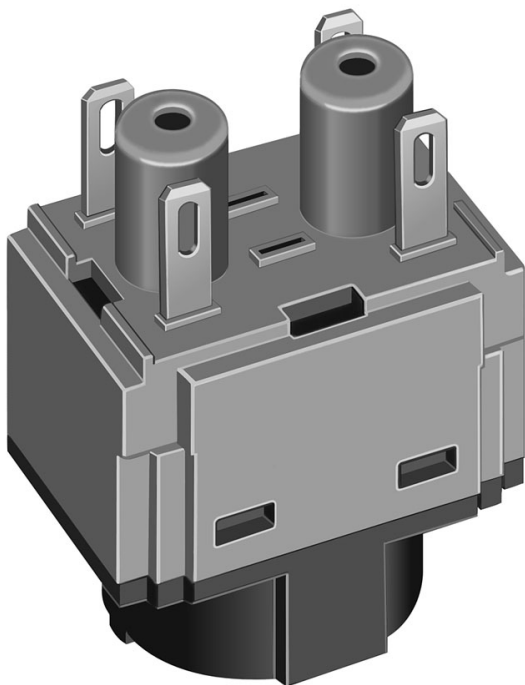


61-8755.17 - Switching element for emergency-stop switch, foolproof EN IEC 60947-5-5

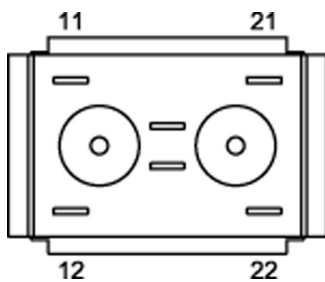
Components configured by yourself

61-8755.17 - Switching element for emergency-stop switch, foolproof EN IEC 60947-5-5



Attention: The preview is based on a sample product. This can differ from your current configuration.

Component layout



Other Attributes

Weight 0.008 kg

Connection Method

Terminal Solder (plug 2.8x0.5mm)

Switching element

Switching voltage 250 V AC
 Switching current 5 A
 Switching system Slow-make
 Contacts 2 NC
 Contact material Silver