



ENCLOSURE FOR 22MM PROGRAM PLASTIC VERSION  
 1 COMMAND POSITION YELLOW TOP PART WITH  
 PROTECTIVE COLLAR A=EMER.-STOP40MM ROT.-TO-  
 UNLAT. 1NC

Enclosure:		
Design of the enclosure		Enclosure for command and signaling devices with standard equipment
Material / of the enclosure		plastic
Color / of top part of the enclosure		yellow
Number of Command Points		1
Product component / protective collar		Yes
Form / of the enclosure front		Square
Design of electrical connection / on enclosure		Cable routing above, below / left, right, each 1 x M20
Type of mounting / of enclosure		Vertical / horizontal
Product function / EMERGENCY STOP function		Yes

Actuator / signaling device:		
Design of the operating mechanism		Emergency stop mushroom pushbutton
Assembling of the commanding and signaling device		A = Emergency stop mushroom pushbutton
Number of mushroom pushbuttons		1
Number of indicator lights		0
Number of pushbuttons		0
Number of key-operated switches		0
Material / of the activation element		plastic
Product component / front ring		No

Type of unlocking device		rotate-to-unlatch mechanism
<b>Holder:</b>		
Material / of the holder		Plastic
<b>Contact block / lampholder</b>		
Number of switching elements		1
Number of NC contacts / for auxiliary contacts		1
Number of NO contacts / for auxiliary contacts		0
Number of change-over switches / for auxiliary contacts		0
Product function / positive opening		Yes
Number of lampholders		0
Type of fixing/fixation / for contact blocks		Floor mounting
Design of electrical connection / of contact blocks, socket, and accessories		Screw-type terminal
Product component / fluorescent materials		No
Product extension / optional / fluorescent materials		No
<b>Accessories:</b>		
Number of backing plates		0
Number of labeling plates		0
Product component / holder for 3 switching elements		No
<b>General technical details:</b>		
Type of voltage / of the operating voltage		AC/DC
<b>Operating voltage</b>		
• for DC		
• rated value	V	5 ... 230
• 1 / for DC / rated value	V	230
• at 50 Hz / at AC		
• rated value	V	5 ... 400
• 1 / at 50 Hz / for AC / rated value	V	400
• at 60 Hz / at AC		
• rated value	V	5 ... 300
• 1 / at 60 Hz / for AC / rated value	V	300
<b>Operating current</b>		
• at AC-12		
• at 24 V / rated value	A	10
• at 48 V / rated value	A	10
• at 110 V / rated value	A	10
• at 230 V / rated value	A	10
• at 400 V / rated value	A	10

<ul style="list-style-type: none"> <li>• at AC-15 <ul style="list-style-type: none"> <li>• at 24 V / rated value</li> <li>• at 48 V / rated value</li> <li>• at 110 V / rated value</li> <li>• at 230 V / rated value</li> <li>• at 400 V / rated value</li> </ul> </li> <li>• at DC-12 <ul style="list-style-type: none"> <li>• at 24 V / rated value</li> <li>• at 48 V / rated value</li> <li>• at 110 V / rated value</li> <li>• at 230 V / rated value</li> </ul> </li> <li>• at DC-13 <ul style="list-style-type: none"> <li>• at 24 V / rated value</li> <li>• at 48 V / rated value</li> <li>• at 110 V / rated value</li> <li>• at 230 V / rated value</li> </ul> </li> </ul>	A	6
	A	6
	A	6
	A	6
	A	3
	A	10
	A	5
	A	2.5
	A	1
	A	3
	A	1.5
	A	0.7
	A	0.3
<b>Delivery state / pre-wired on strip terminal</b>		No
<b>Product component / stand/pedestal</b>		No
<b>Resistance against shock</b> <ul style="list-style-type: none"> <li>• for devices without incandescent lamp / according to IEC 60068-2-27</li> </ul>		<= 50g
<b>Resistance against vibration / according to IEC 60068-2-6</b>		20 ... 200 Hz: 5g
<b>Item designation</b> <ul style="list-style-type: none"> <li>• according to DIN EN 61346-2</li> <li>• according to DIN 40719 extendable after IEC 204-2 / according to IEC 750</li> </ul>		S S
<b>Tightening torque / of the screws in the bracket / maximum</b>	N·m	1
<b>Ambient temperature</b> <ul style="list-style-type: none"> <li>• during operating</li> <li>• during storage</li> </ul>	°C	-25 ... +70 °C -40 ... +80
<b>Protection class IP</b>		IP65
<b>B10 value / with high demand rate / according to SN 31920</b>		100,000
<b>Proportion of dangerous failures / with high demand rate / according to SN 31920</b>	%	20
<b>Proportion of dangerous failures / with low demand rate / according to SN 31920</b>	%	20
<b>Failure rate (FIT value) / with low demand rate / according to SN 31920</b>	FIT	100
<b>T1 value / for proof test interval or service life / according to IEC 61508</b>	a	20
<b>climatic class / during the operating phase / according to EN 60721</b>		3K6

Shape / of the installation hole		round
Mounting diameter	mm	22
Width	mm	85
Height	mm	85
Depth	mm	106

#### Certificates/approvals:

General Product Approval	Declaration of Conformity	Test Certificates
--------------------------	---------------------------	-------------------



CSA



GOST



EG-Konf.

[Special Test Certificate](#)

#### Shipping Approval

other



ABS



DNV



LRS



PRS

[Confirmation](#)

[Environmental Confirmations](#)

#### Further information:

##### Information- and Downloadcenter (Catalogs, Brochures,...)

<http://www.siemens.com/industrial-controls/catalogs>

##### Industry Mall (Online ordering system)

<http://www.siemens.com/industrial-controls/mall>

##### Cax online generator:

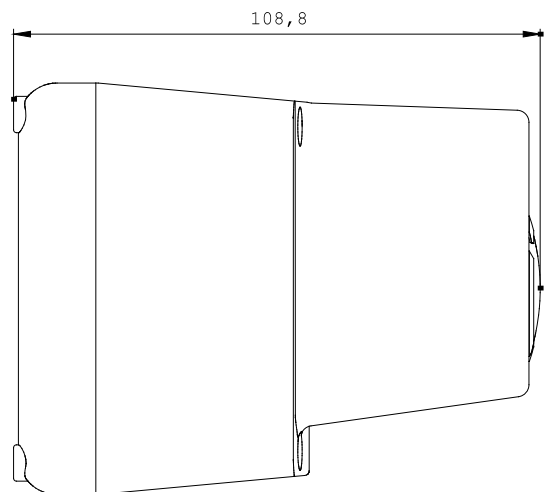
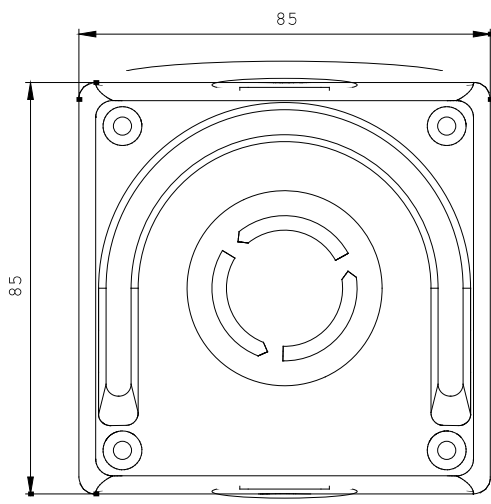
<http://www.siemens.com/cax>

##### Service&Support (Manuals, Certificates, Characteristics, FAQs,...)

<http://support.automation.siemens.com/VW/view/en/3SB3801-0DF3/all>

##### Image database (product images, 2D dimension drawings, 3D models, device circuit diagrams, ...)

[http://www.automation.siemens.com/bilddb/cax\\_en.aspx?mlfb=3SB3801-0DF3](http://www.automation.siemens.com/bilddb/cax_en.aspx?mlfb=3SB3801-0DF3)



last change:

Oct 22, 2012