



ENCLOSURE FOR COMMAND DEVICES, 22MM, ROUND, ENCLOSURE MATERIAL PLASTIC, ENCLOSURE TOP PART YELLOW, 1 COMMAND POINT, A=EMERGENCY STOP MUSHROOM PUSHBUTTON RED, 40MM, ROTATE-TO-UNLATCH, 1NC, SCREW CONNECTION, FLOOR MOUNTING, 1 X M20 EACH AT TOP AND BOTTOM

Enclosure:		
Design of the enclosure		Enclosure for command and signaling devices with standard equipment
Material / of the enclosure		plastic
Color / of top part of the enclosure		yellow
Number of Command Points		1
Product component / protective collar		No
Form / of the enclosure front		Square
Design of electrical connection / on enclosure		Cable routing above and below, both 1 x M20
Mounting type / of enclosure		Vertical
Product function / EMERGENCY STOP function		Yes

Actuato/ signaling device:		
Design of the operating mechanism		Emergency stop mushroom pushbutton
Assembling of the commanding and signaling device		A = Emergency stop mushroom pushbutton
Number of mushroom pushbuttons		1
Number of indicator lights		0
Number of pushbuttons		0
Number of key-operated switches		0
Color / of the activation element		Red
Material / of the activation element		plastic

Product component / front ring		No
Type of unlocking device		rotate-to-unlatch mechanism

Holder:

Material / of the holder		Plastic
---------------------------------	--	---------

Contact block/ lampholder:

Number of switching elements		1
Number of NC contacts / for auxiliary contacts		1
Number of NO contacts / for auxiliary contacts		0
Number of changeover contacts / for auxiliary contacts		0
Product function / positive opening		Yes
Number of lampholders		0
Mounting type / of contact blocks, socket, and accessories		Floor mounting
Design of electrical connection / of contact blocks, socket, and accessories		Screw-type terminal
Product component / fluorescent materials		No
Product extension / optional / fluorescent materials		No

Accessories:

Number of backing plates		0
Number of labeling plates		0
Product component / holder for 3 switching elements		No

General technical details:

Voltage type / of operating voltage		AC/DC
Operating voltage		
• for DC		
• rated value	V	5 ... 230
• 1 / for DC / rated value	V	230
• at 50 Hz / at AC		
• rated value	V	5 ... 400
• 1 / at 50 Hz / for AC / rated value	V	400
• at 60 Hz / at AC		
• rated value	V	5 ... 300
• 1 / at 60 Hz / for AC / rated value	V	300
Operating current		
• at AC-12		
• at 24 V / rated value	A	10
• at 48 V / rated value	A	10
• at 110 V / rated value	A	10
• at 230 V / rated value	A	10

<ul style="list-style-type: none"> • at 400 V / rated value 	A	10
<ul style="list-style-type: none"> • at AC-15 		
<ul style="list-style-type: none"> • at 24 V / rated value 	A	6
<ul style="list-style-type: none"> • at 48 V / rated value 	A	6
<ul style="list-style-type: none"> • at 110 V / rated value 	A	6
<ul style="list-style-type: none"> • at 230 V / rated value 	A	6
<ul style="list-style-type: none"> • at 400 V / rated value 	A	3
<ul style="list-style-type: none"> • at DC-12 		
<ul style="list-style-type: none"> • at 24 V / rated value 	A	10
<ul style="list-style-type: none"> • at 48 V / rated value 	A	5
<ul style="list-style-type: none"> • at 110 V / rated value 	A	2.5
<ul style="list-style-type: none"> • at 230 V / rated value 	A	1
<ul style="list-style-type: none"> • at DC-13 		
<ul style="list-style-type: none"> • at 24 V / rated value 	A	3
<ul style="list-style-type: none"> • at 48 V / rated value 	A	1.5
<ul style="list-style-type: none"> • at 110 V / rated value 	A	0.7
<ul style="list-style-type: none"> • at 230 V / rated value 	A	0.3
Delivery state / pre-wired on strip terminal		No
Product component / stand/pedestal		No
Resistance against shock		
<ul style="list-style-type: none"> • for devices without incandescent lamp / according to IEC 60068-2-27 		<= 50g
Resistance against vibration / according to IEC 60068-2-6		20 ... 200 Hz: 5g
Reference code		
<ul style="list-style-type: none"> • according to DIN EN 61346-2 		S
<ul style="list-style-type: none"> • according to DIN 40719 extended according to IEC 204-2 / according to IEC 750 		S
Tightening torque / of the screws in the bracket / maximum	N·m	1
Ambient temperature		
<ul style="list-style-type: none"> • during operating 	°C	-25 ... +70
<ul style="list-style-type: none"> • during storage 	°C	-40 ... +80
Protection class IP		IP65
B10 value / with high demand rate / according to SN 31920		100,000
Proportion of dangerous failures / with high demand rate / according to SN 31920	%	20
Proportion of dangerous failures / with low demand rate / according to SN 31920	%	20
Failure rate (FIT value) / with low demand rate / according to SN 31920	FIT	100
T1 value / for proof test interval or service life / according to IEC 61508	a	20

climatic class / during the operating phase / according to EN 60721		3K6
Shape / of the installation hole		round
Mounting diameter	mm	22
Width	mm	85
Height	mm	85
Depth	mm	64

Certificates/ approvals:

General Product Approval



Test Certificates

[Special Test Certificate](#)

Shipping Approval



other

[Confirmation](#)

[Environmental Confirmations](#)

Further information:

Information- and Downloadcenter (Catalogs, Brochures,...)

<http://www.siemens.com/industrial-controls/catalogs>

Industry Mall (Online ordering system)

<http://www.siemens.com/industrial-controls/mall>

Cax online generator

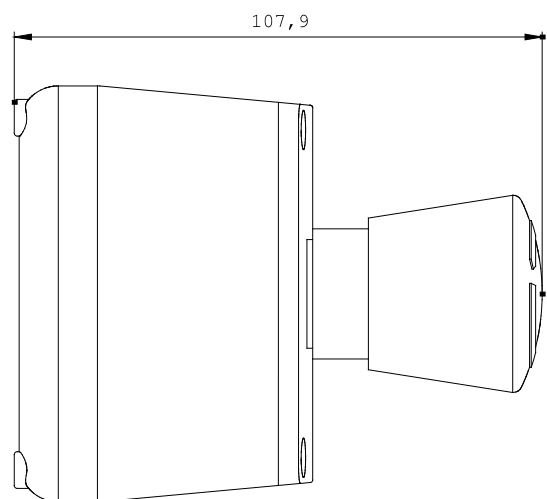
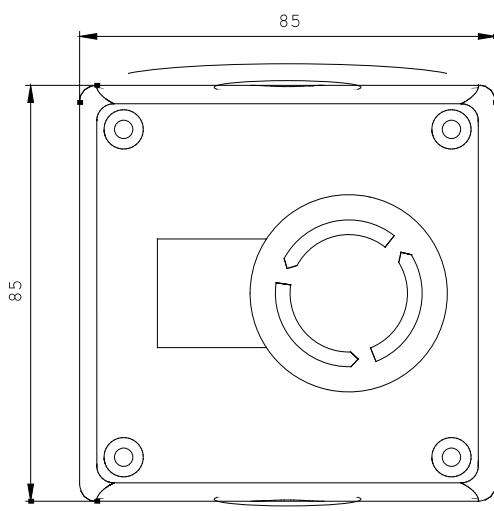
<http://www.siemens.com/cax>

Service&Support (Manuals, Certificates, Characteristics, FAQs,...)

<http://support.automation.siemens.com/WWW/view/en/3SB3801-0DG3/all>

Image database (product images, 2D dimension drawings, 3D models, device circuit diagrams, ...)

http://www.automation.siemens.com/bilddb/cax_en.aspx?mlfb=3SB3801-0DG3



last change:

Apr 21, 2014