

Technical data

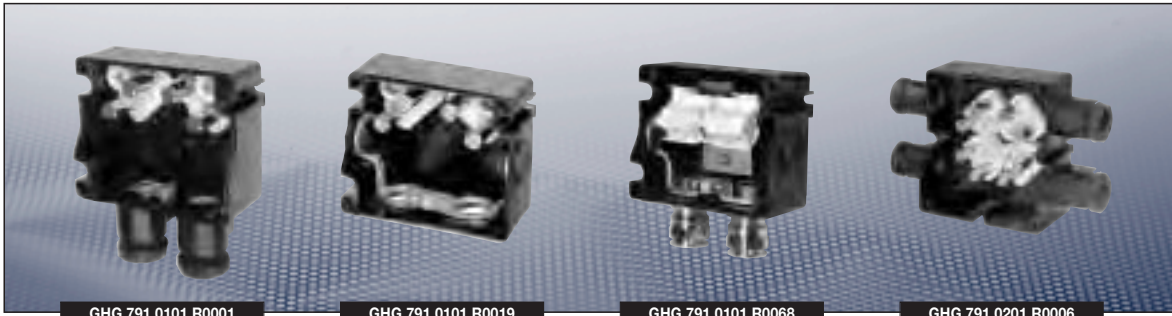
GHG 791 01 up to 6 terminals GHG 791 02 up to 6 terminals	
Marking to 94/9/EC	Ⓔ II 2 G Ex dem ia II, IIC / Ⓔ II 2 D Ex tD A21 IP66 T80 °C
EC-Type Examination Certificate	PTB 00 ATEX 3108
IECEX certification of conformity	IECEX BK1 07.0034
Marking accd. to IECEx	Ex e II T6 / Ex ia IIC T6 Ex tD A21 IP66 T58 °C
Permissible ambient temperature	-20 °C to +40 °C / -55 °C to +40 °C (option)
Rated voltage	690 V / 550 V ¹⁾
Rated current	depends on terminal cross section
Connecting terminals	max. 4 x 4 mm ² /PE 4 x 2.5 mm ² (multi-wire) max. 2 x 6 mm ² /PE 4 x 4 mm ² (solid-wire) or 2 x 6 mm ² + 1 x 2.5 mm ²
Insulation class	I
Degree of protection accd. EN 60529	IP66
Enclosure material	Polyamide

GHG 791 01 up to 6 terminals	
Cable glands/enclosure thread	max. 4 x M25 for cable Ø 8 - 17 mm max. 4 x M20 metal thread
Dimensions (L x W x H)	81.5 x 100 x 61 mm
Weight	approx. 0.3 kg

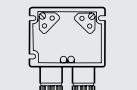
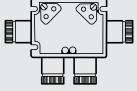
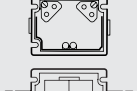
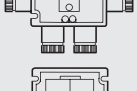

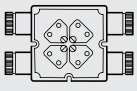
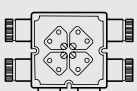
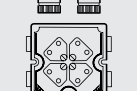
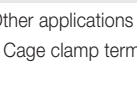

GHG 791 02 up to 6 terminals	
Cable glands/enclosure thread	max. 6 x M25 for cable Ø 8 - 17 mm max. 6 x M32 for cable Ø 12 - 21 mm max. 6 x M20 metal thread
Dimensions (L x W x H)	117.5 x 113.5 x 73.5 mm
Weight	approx. 0.5 kg

¹⁾ for cage clamp terminals

Ex-junction boxes 791



Ordering details

Design	Cable gland	No. of terminals	Order No.
GHG 791 01 up to 6 terminals			
	2 x M25 for cable Ø 8-17 mm	4 x Ex-e, 1 x PE	GHG 791 0101 R0001
	4 x M25 for cable Ø 8-17 mm incl. 2 x blanking plug M25	4 x Ex-e, 1 x PE	GHG 791 0101 R0002
	4 x M20 metal thread incl. 2 x threaded plug M20	4 x Ex-e, 1 x PE	GHG 791 0101 R0019
	4 x M25 for cable Ø 8-17 mm incl. 2 x blanking plug M25	4 x 4 Ex-e ¹⁾ , 2 x PE	GHG 791 0101 R0069
	4 x M20 metal thread incl. 2 x threaded plug M20	4 x 4 Ex-e ¹⁾ , 2 x PE	GHG 791 0101 R0068
GHG 791 02 up to 6 terminals			
	4 x M25 for cable Ø 8-17 mm incl. 2 x blanking plug M25	6 x Ex-e, 2 x PE	GHG 791 0201 R0006
	4 x M32 for cable Ø 12-21 mm incl. 2 x blanking plug M32	6 x Ex-e, 2 x PE	GHG 791 0201 R0007
	6 x M25 for cable Ø 12-21 mm incl. 4 x blanking plug M25	6 x Ex-e, 2 x PE	GHG 791 0201 R0001
	6 x M32 for cable Ø 12-21 mm incl. 4 x blanking plug M32	6 x Ex-e, 2 x PE	GHG 791 0201 R0002
	6 x M20 metal thread incl. 4 x threaded plug M20	8 x Ex-e, 1 x PE	GHG 791 0201 R0003

Other applications available on request.

¹⁾ Cage clamp terminal

Accessories

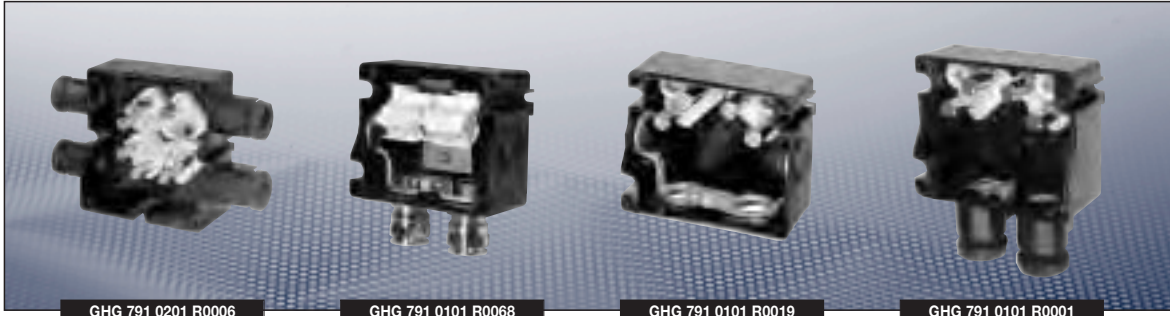
Mounting plate for junction box 791 01

Type	Application	Fixing method	Order No.
Size 1	Wall mounting	screwless mounting	GHG 610 1953 R0101
Size 1	Trellis mounting	screwless mounting	GHG 610 1953 R0103
Size 1	Pipe mounting	screwless mounting	GHG 610 1953 R0102
Protective canopy Size 2	for mounting plate size 1		GHG 610 1955 R0101

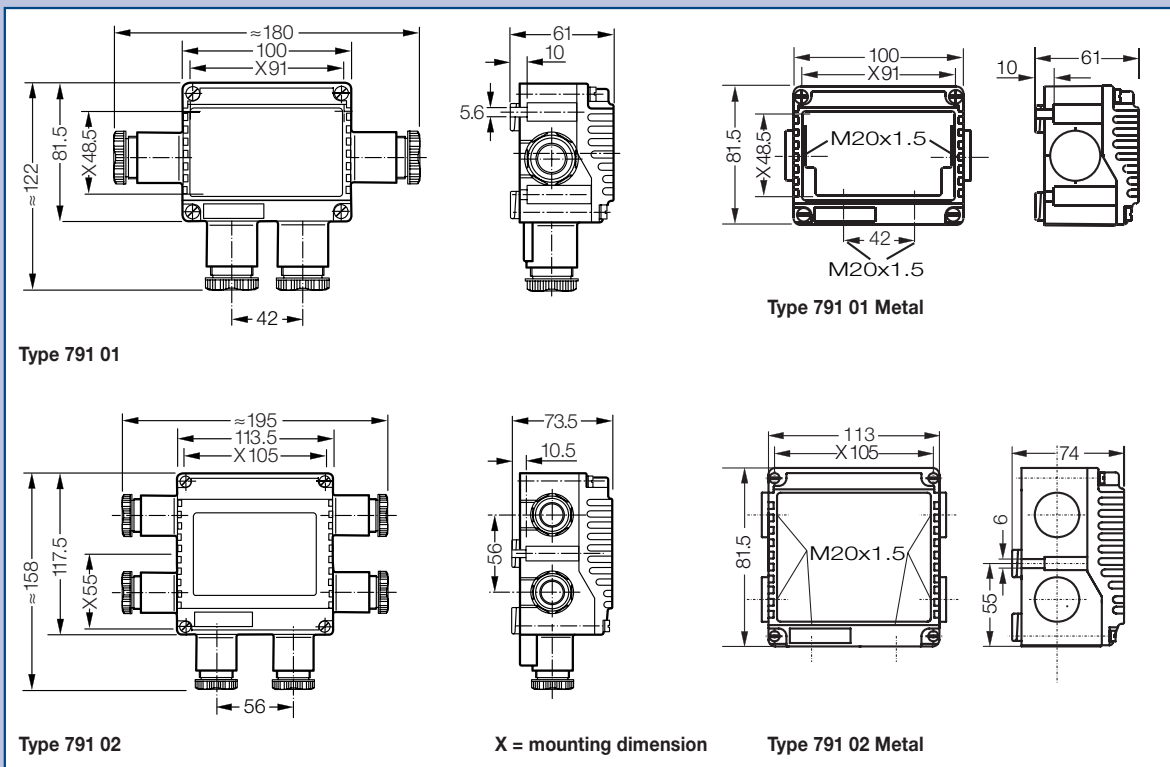
Mounting plate for junction box 791 02

Type	Application	Fixing method	Order No.
Size 2	Wall mounting	screwless mounting	GHG 610 1953 R0104
Size 2	Trellis mounting	screwless mounting	GHG 610 1953 R0106
Size 2	Pipe mounting	screwless mounting	GHG 610 1953 R0105
Protective canopy Size 2	for mounting plate size 2		GHG 610 1955 R0102

Details for accessories see page 7.78 pp.



Dimension drawing



Cooper Crouse-Hinds © 2009 - all rights reserved

Dimensions in mm

1
2
3
4
5
6
7
8
9
10
11
12