



22MM PLASTIC ROUND ACTUATOR: SELECTOR SWITCH  
2 SWITCH POSITIONS O-I LATCHING NON-ILLUMINATED  
WITH HOLDER BLACK

**Actuator / signaling device:**

<b>Design of the operating mechanism</b>		selector switch
<b>Type of unlocking device</b>		rotate-to-unlatch mechanism
<b>Color / of the activation element</b>		black
<b>Material / of the activation element</b>		plastic
<b>Number of switching positions</b>		2
<b>Actuating angle</b>		
• clockwise	°	50
<b>Product component / front ring</b>		Yes
<b>Material / of the front ring</b>		plastic
<b>Color / of the front ring</b>		black
<b>Design of the front ring</b>		Standard
<b>Product function / EMERGENCY STOP function</b>		No

**Holder:**

<b>Material / of the holder</b>		Plastic
---------------------------------	--	---------

**General technical details:**

<b>Resistance against shock</b>		
• for devices without incandescent lamp / according to IEC 60068-2-27		<= 50g

Resistance against vibration / according to IEC 60068-2-6		20 ... 200 Hz: 5g
Operating cycles / maximum	1/h	1,000
Mechanical operating cycles as operating time / typical		300,000
Item designation		S
<ul style="list-style-type: none"> <li>• according to DIN EN 61346-2</li> <li>• according to DIN 40719 extendable after IEC 204-2 / according to IEC 750</li> </ul>		S
Tightening torque / of the screws in the bracket / maximum	N·m	1
Ambient temperature		
<ul style="list-style-type: none"> <li>• during operating</li> <li>• during storage</li> </ul>	°C	-25 ... +70
	°C	-40 ... +80
Protection class IP		IP66
climatic class / during the operating phase / according to EN 60721		3K6
Type of mounting		front mounting
Shape / of the installation hole		round
Installation width	mm	28.5
Mounting diameter	mm	22
Mounting height	mm	24
Mounting depth	mm	29

#### Certificates/approvals:

##### General Product Approval



##### Test Certificates

[Special Test Certificate](#)

##### Shipping Approval



##### other

[Confirmation](#)

[other](#)

[Environmental Confirmations](#)

#### Further information:

##### Information- and Downloadcenter (Catalogs, Brochures,...)

<http://www.siemens.com/industrial-controls/catalogs>

##### Industry Mall (Online ordering system)

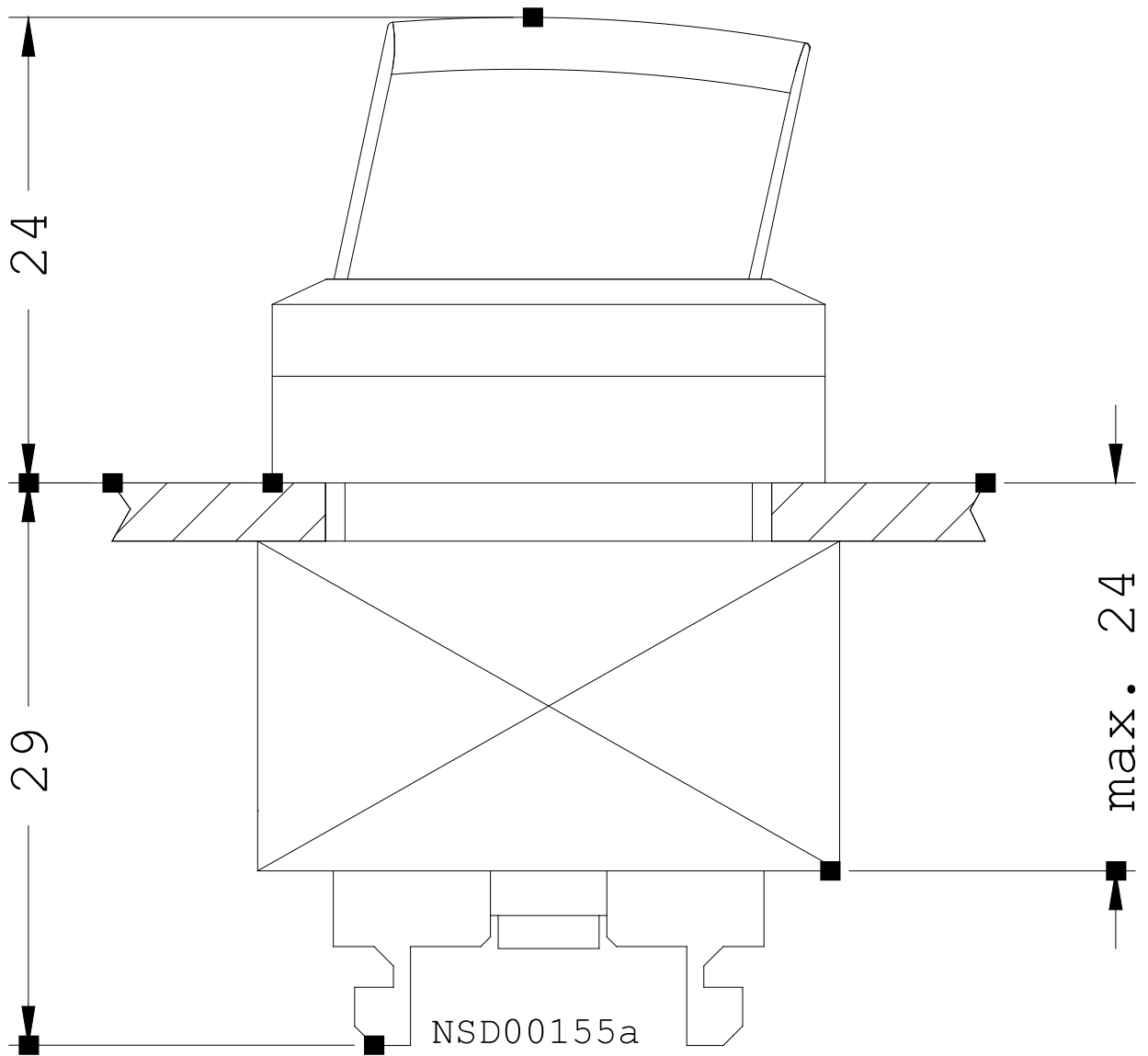
<http://www.siemens.com/industrial-controls/mall>

##### Cax online generator:

<http://www.siemens.com/cax>

##### Service&Support (Manuals, Certificates, Characteristics, FAQs,...)

<http://support.automation.siemens.com/WW/view/en/3SB3000-2KA11/all>



last change:

Jan 21, 2013