



ACTUATOR-/INDICATOR COMPONENT WITH INTEGRATED LED 24V AC/DC LAMP HOLDER SCREW TERMINAL WHITE

Contact block/ lampholder:		
product designation		lampholder
Number of NC contacts / for auxiliary contacts		0
Number of NO contacts / for auxiliary contacts		0
Number of changeover contacts / for auxiliary contacts		0
Product function / positive opening		No
Number of lampholders		1
Execution of the mounting		integrated
Nature of fluorescent material		LED
Color / of the fluorescent material		white
Design of the electrical connection		screw-type terminals

General technical details:		
Degree of pollution		class 3
Type of voltage / of the supply voltage / of the fluorescent material		AC/DC
Supply voltage / 1 / of the fluorescent material		
<ul style="list-style-type: none"> • at 60 Hz / for AC / rated value • at 50 Hz / for AC / rated value • for DC / rated value 	V	24
	V	24
	V	24
Type of voltage / of the operating voltage		AC/DC

Item designation		P
<ul style="list-style-type: none"> • according to DIN EN 61346-2 • according to DIN 40719 extendable after IEC 204-2 / according to IEC 750 		H
Ambient temperature		
<ul style="list-style-type: none"> • during operating 	°C	-25 ... +70
<ul style="list-style-type: none"> • during storage 	°C	-25 ... +80
protection class IP		
<ul style="list-style-type: none"> • of the terminal 		IP20
<ul style="list-style-type: none"> • of the housing 		IP40
Operating voltage / 1 / at 50 Hz / for AC / rated value	V	24
Operating voltage / 1 / at 60 Hz / for AC / rated value	V	24
Operating voltage		
<ul style="list-style-type: none"> • 1 / for DC / rated value 	V	24
<ul style="list-style-type: none"> • at 50 Hz / at AC / rated value 	V	21.6 ... 26.4
<ul style="list-style-type: none"> • at 60 Hz / at AC / rated value 	V	21.6 ... 26.4
<ul style="list-style-type: none"> • for DC • rated value 	V	21.6 ... 26.4
Suitability for integration		front element
<ul style="list-style-type: none"> • pressure selection button 		Yes
<ul style="list-style-type: none"> • front element 		Yes
<ul style="list-style-type: none"> • suspension switch 		Yes
<ul style="list-style-type: none"> • suspension pushbutton 		Yes
Insulation voltage / rated value	V	250
Impulse voltage resistance / rated value	kV	4
Tightening torque / for auxiliary contacts / with screw-type terminals	N·m	0.8
Product component		
<ul style="list-style-type: none"> • fluorescent materials 		Yes
<ul style="list-style-type: none"> • diode 		Yes
<ul style="list-style-type: none"> • lamp transformer 		No
<ul style="list-style-type: none"> • series resistance 		No
Type of mounting		front mounting

Connections:

Type of the connectable conductor cross-section

<ul style="list-style-type: none"> • for auxiliary contacts / solid 	2x (1 ... 1.5 mm ²)
<ul style="list-style-type: none"> • for auxiliary contacts / solid / with conductor end processing 	2x (0.5 ... 0.75 mm ²)
<ul style="list-style-type: none"> • for auxiliary contacts / finely stranded / with conductor end processing 	2x (0.5 ... 1.5 mm ²)
<ul style="list-style-type: none"> • for AWG conductors / for auxiliary contacts 	2x (18 ... 14)

Certificates/approvals:

General Product Approval



CCC



CSA



GOST

Declaration of Conformity



EG-Konf.

Test Certificates

[Special Test Certificate](#)

other

[Confirmation](#)

[Environmental Confirmations](#)

Further information:

Information- and Downloadcenter (Catalogs, Brochures,...)

<http://www.siemens.com/industrial-controls/catalogs>

Industry Mall (Online ordering system)

<http://www.siemens.com/industrial-controls/mall>

Cax online generator

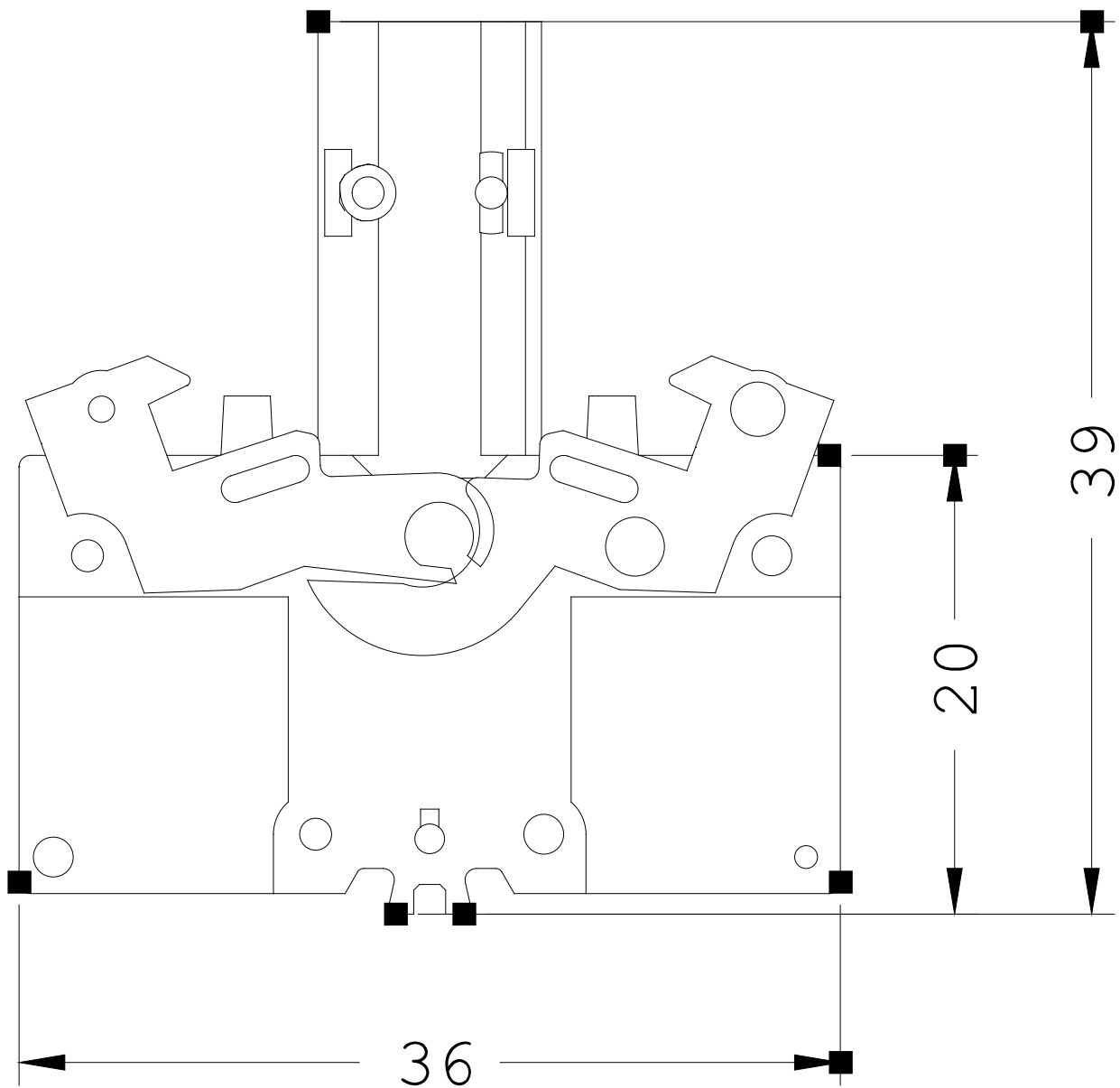
<http://www.siemens.com/cax>

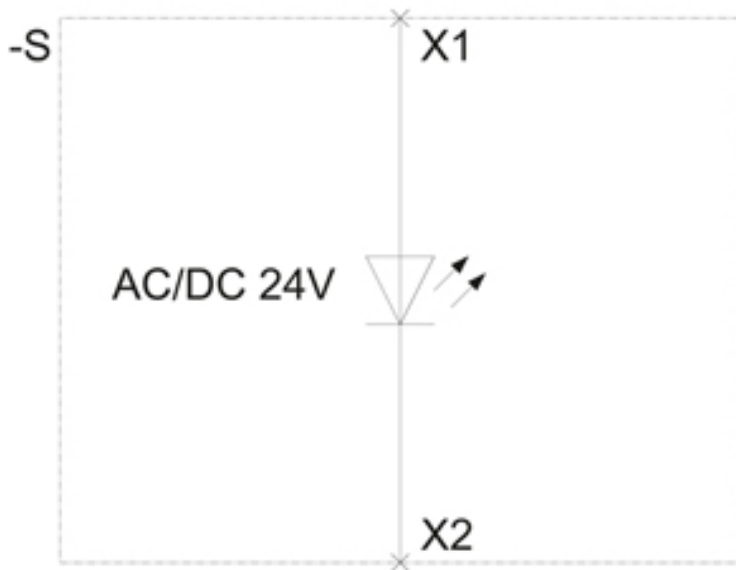
Service&Support (Manuals, Certificates, Characteristics, FAQs,...)

<http://support.automation.siemens.com/WWW/view/en/3SB3400-1PE/all>

Image database (product images, 2D dimension drawings, 3D models, device circuit diagrams, ...)

http://www.automation.siemens.com/bilddb/cax_en.aspx?mlfb=3SB3400-1PE





last change:

Sep 2, 2013