

**Technical data**

Ex-Safety switch 20 A		
Marking to 94/9/EC	Ⓔ II 2 G Ex ed ia IIC T6 / Ⓔ II 2 D Ex tD A21 IP66 T80 °C	
EC-Type Examination Certificate	PTB 99 ATEX 1161	
IECEx Certificate of Conformity	BKI 07.0012	
Marking accd. to IECEx	Ex ed ia IIC T6 Ex tD A21 IP66 T55 °C	
Permissible ambient temperature	-20 °C to +40 °C <sup>1)</sup>	
Rated voltage	up to max. 690 V	
Rated current	max. 20 A	
Frequency	50/60 Hz	
Switch rating AC3	230 V AC	20 A
	400 V AC	20 A
	500 V AC	16 A
	690 V AC	10 A
Back up fuse	up to 400 V AC	max. 35 A gL
	up to 500 V AC	max. 35 A gL
	up to 690 V AC	max. 25 A gL
Main contact	2 x 4 mm <sup>2</sup>	
Aux./Signal contact	2 x 0.5 - 2.5 mm <sup>2</sup>	
Insulation class	I	
Degree of protection accd. EN 60529	IP66	
Cable glands/enclosure drilling	M20 (d = 5 - 13 mm) see ordering details M25 (d = 8 - 17 mm) see ordering details M32 (d = 12 - 21 mm) see ordering details Option: metal flange with thread	
Weight	3-pole	approx. 1.48 kg
	6-pole	approx. 2.43 kg
Enclosure material	glass-fibre reinforced polyester	
Enclosure colour	black	
Auxiliary contact	1 x NO making - lagging; breaking - leading 1 x NC (only 6-pole version) making - leading; breaking - lagging	
Padlocking	can be locked in OFF position with 3 commercially available padlocks	

<sup>1)</sup> Other ambient temperatures on request

## Ex-Safety switches



3-pole

3-pole EMERGENCY STOP

6-pole

6-pole EMERGENCY STOP

### Ordering details

Version	Cable entry	Order No.
Safety switch 20 A 3-pole		
Version with 1 auxiliary contact (NO)		
3-pole	2 x M32 / 1 x M25	GHG 262 2301 R0001
3-pole EMERGENCY STOP	2 x M32 / 1 x M25	GHG 262 2301 R0002
Safety switch 20 A 4-pole		
Version with 2 auxiliary contact (1 x NO; 1 x NC)		
4-pole	2 x M20	GHG 262 2301 R0007
4-pole EMERGENCY STOP	2 x M32 / 1 x M25	GHG 262 2301 R0010
Safety switch 20 A 6-pole		
Version with 2 auxiliary contact (1 x NO; 1 x NC)		
6-pole	4 x M32 / 1 x M25	GHG 262 2601 R0001
6-pole	4 x M25	GHG 262 2601 R0005
6-pole EMERGENCY STOP	4 x M32 / 1 x M25	GHG 262 2601 R0002

Customized version on request, auxiliary contacts in Ex ia available

### Accessories

#### Mounting plate for Ex-safety switch 20 A 3-pole

Type	Application	Fixing technique	Order No.
Size 2	Wall mounting	snap-on	GHG 610 1953 R0104
Size 2	Pipe mounting	snap-on	GHG 610 1953 R0105
Size 2	Trellis mounting	snap-on	GHG 610 1953 R0106

#### Mounting plate for Ex-safety switch 20 A 6-pole

Type	Application	Fixing technique	Order No.
Size 3	Wall mounting	snap-on	GHG 610 1953 R0118
Size 3	Pipe mounting	snap-on	GHG 610 1953 R0110
Size 3	Trellis mounting	snap-on	GHG 610 1953 R0118

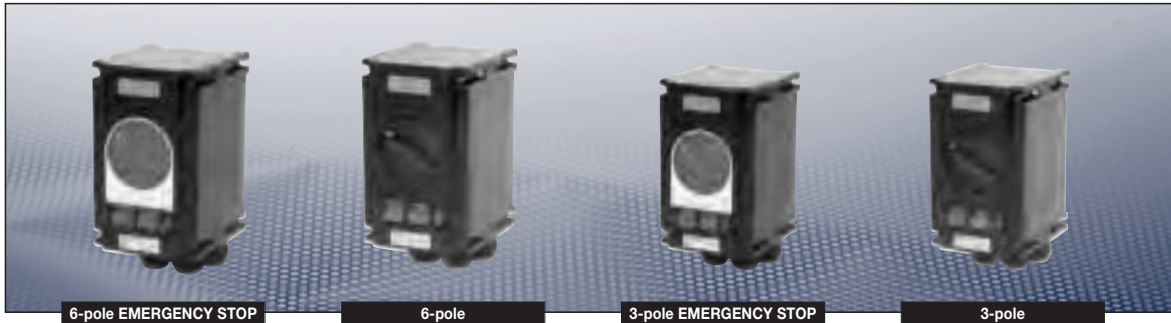
#### Accessories for mounting plates

Type	OU	Order No.
Label holder with label (unlabelled) for mounting plates size 1, 2, 2A and 3	10	GHG 610 1953 R0057
Installation kit for pipes 1" (of 27 - 30 mm) for mounting plates for pipe mounting	10	GHG 610 1953 R0020

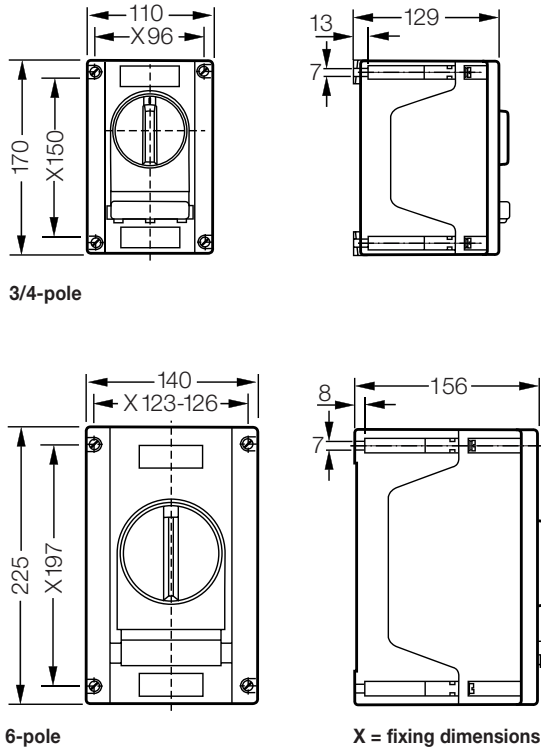
#### Accessories for canopies plates

Type	Application	OU	Order No.
Size 2	for mounting plates size 2	1	GHG 610 1955 R0102
Size 2A	for mounting plates size 2A	1	GHG 610 1955 R0103
Size 3	for pipe mounting plate size 3 vertical	1	GHG 610 1955 R0104
Size 3A	for wall/trellis mounting plate size 3 vertical	1	GHG 610 1955 R0105
Size 3B	for pipe mounting plate size 3 horizontal	1	GHG 610 1955 R0106

Please note that we can only deliver in the ordering units (OU) stated in the tables above



**Dimension drawing**



Cooper Crouse-Hinds © 2009 - all rights reserved

Dimensions in mm