



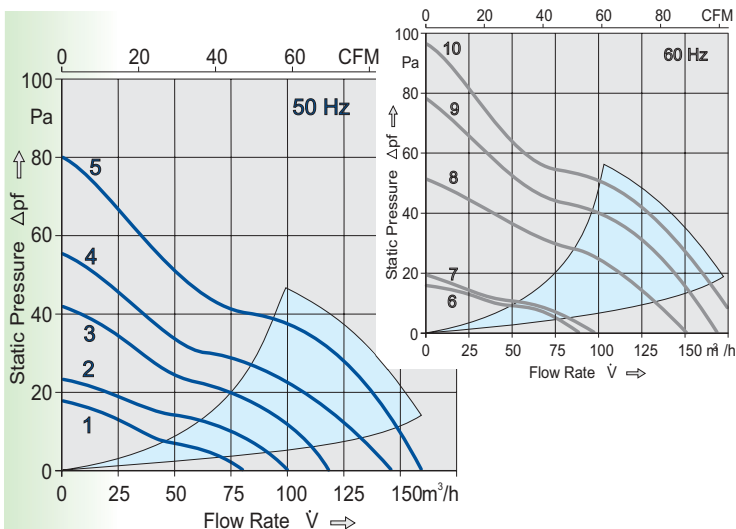
- AC fans with external rotor shaded-pole motor. Impedance protected against overloading.
- Metal fan housing and impeller
- Air intake over struts. Rotational direction CW looking at rotor. Types 4890N

- and 4840N air exhaust over struts.
- Electrical connection via 2 flat pins 3.0 x 0.5 mm.
- Fan housing with ground lug and screw M4x8 (TORX).
- Mass 550 g.

SERIES 4000N

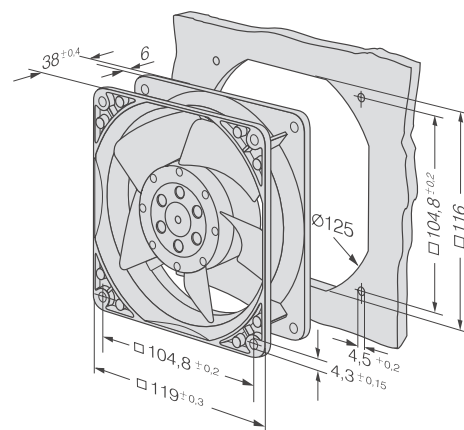
119x119x38mm

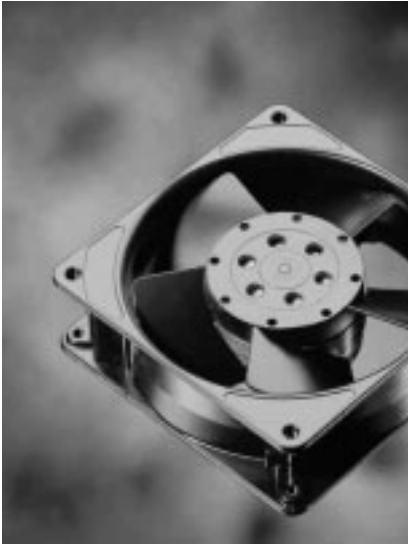
Air Flow		Nominal Voltage	Frequency	Noise	Sinter-Sleeve Bearings	Ball Bearings	Power Input	Nominal Speed	Temperature Range	Service Life t_{50}	at t_{max}	Curve	Type
m^3/h	CFM	V	Hz	dB(A)	bels	○ ●	Watt	min^{-1}	$^{\circ}C$	Hours	Hours		
80	47.1	230	50	25	4.0	○	11	1550	-10...+70	55000 / 27500	1	4890N	
100	58.9	230	50	32	4.4	○	10	1800	-10...+70	57500 / 27500	2	4850N	
123	72.4	230	50	41	5.2	○	18	2350	-10...+55	40000 / 27500	3	4580N	
145	85.3	230	50	44	5.4	○	16.5	2550	-10...+55	42500 / 30000	4	4550N	
160	94.2	230	50	46	5.4	○	19	2650	-10...+55	37500 / 27500	5	4650N	
160	94.2	230	50	47	5.5	●	19	2650	-40...+85	37500 / 15000	5	4656N	
85	50.0	115	60	26	4.1	○	10	1650	-10...+75	57500 / 25000	6	4840N	
97	57.1	115	60	32	4.3	○	9	1750	-10...+75	60000 / 27500	7	4800N	
151	88.9	115	60	45	5.4	○	16	2700	-10...+65	42500 / 25000	8	4530N	
169	99.5	115	60	48	5.7	○	15	3000	-10...+65	47500 / 25000	9	4500N	
180	105.9	115	60	50	5.7	○	18	3100	-10...+60	40000 / 25000	10	4600N	
180	105.9	115	60	51	5.8	●	18	3100	-40...+90	40000 / 15000	10	4606N	



Available on request:

- Fan housing with mounting bosses and electrical connection via 2 single leads.





- AC fans with external rotor shaded-pole motor. Impedance protected against overloading.
- Metal fan housing and impeller
- Air exhaust over struts. Rotational direction CW looking at rotor.

- Electrical connection via 2 flat pins 2.8 x 0.5 mm.
- Fan housing with ground lug and screw M4x8 (TORX).
- Mass 540 g.

SERIES 4000Z

119x119x38mm

Air Flow		Nominal Voltage	Frequency	Noise		Sinter-Sleeve Bearings		Power Input	Nominal Speed	Temperature Range	Service Life L ₁₀ at t _{max.}		Curve	Type
m ³ /h	CFM			V	Hz	dB(A)	bels				○ ●	Watt		
100	58.9	230	50	26	4.0	○	13	1700	-10...+65	50000 / 27500		1	4850Z	
115	67.7	230	50	30	4.3	○	13	1900	-10...+65	50000 / 27500		2	4580Z	
160	94.2	230	50	40	5.3	○	19	2650	-10...+50	37500 / 30000		3	4650Z	
160	94.2	230	50	40	5.3	●	19	2650	-40...+75	37500 / 17500		3	4656Z	
105	61.8	115	60	28	4.1	○	12	1800	-10...+70	52500 / 25000		4	4800Z	
120	70.6	115	60	32	4.4	○	12	2000	-10...+70	52500 / 25000		5	4530Z	
180	105.9	115	60	45	5.6	○	18	3100	-10...+60	40000 / 25000		6	4600Z	
180	105.9	115	60	45	5.6	●	18	3100	-40...+85	40000 / 15000		6	4606Z	

Available on request:

- Electrical connection via 2 single leads 310 mm long.

