



ACTUATOR-/INDICATOR COMPONENT CONTACT BLOCK WITH 2 CONTACTS SCREW TERMINAL, 2NO

Contact block/ lampholder:	
Product designation	contact block
Number of NC contacts / for auxiliary contacts	0
Number of NO contacts / for auxiliary contacts	2
Number of CO contacts / for auxiliary contacts	0
Product function / positive opening	No
Number of lampholders	0
Design of the electrical connection	screw-type terminals

General technical data:	
Degree of pollution	class 3
Design of the fuse link / for short-circuit protection of the auxiliary switch / with type of assignment 1 / required	gG / Dz 10 A
Contact reliability	one incorrect switching operation of 100 million switching operations (5 V, 1 mA)
Thermal current	A 10
Type of voltage / of the operating voltage	AC/DC
Reference code	S
<ul style="list-style-type: none"> acc. to DIN EN 61346-2 acc. to DIN 40719 extended according to IEC 204-2 / acc. to IEC 750 	S
Ambient temperature	

• during operation	°C	-25 ... +70
• during storage	°C	-25 ... +80
Protection class IP		
• of the terminal		IP20
• of the enclosure		IP40
Operating voltage / 1 / with AC / at 50 Hz / Rated value	V	400
Operating voltage / 1 / with AC / at 60 Hz / Rated value	V	300
Operating voltage		
• 1 / for DC / Rated value	V	24
• with AC / at 50 Hz / Rated value	V	5 ... 400
• with AC / at 60 Hz / Rated value	V	5 ... 300
• for DC		
• Rated value	V	5 ... 230
Operating current		
• at AC-12		
• at 24 V	A	10
• at 48 V	A	10
• at 110 V	A	10
• at 230 V	A	10
• at 400 V	A	10
• at AC-15		
• at 24 V	A	6
• at 48 V	A	6
• at 110 V	A	6
• at 230 V	A	6
• at 400 V	A	3
• at DC-12		
• at 24 V	A	10
• at 48 V	A	5
• at 110 V	A	2.5
• at 230 V	A	1
• at DC-13		
• at 24 V	A	3
• at 48 V	A	1.5
• at 110 V	A	0.7
• at 230 V	A	0.3
Suitability for integration		
• pressure selection button		Yes
• front element		Yes
• Pendant switch		Yes

• Pendant pushbutton		Yes
Insulation voltage / Rated value	V	400
Surge voltage resistance / Rated value	kV	4
Tightening torque / for auxiliary contacts / with screw-type terminals	N·m	0.8
Operating frequency / maximum	1/h	1,000
Electrical endurance (switching cycles) / with contactors 3RT1015 to 3RT1026 / typical		10,000,000
Mechanical service life (switching cycles) / typical		10,000,000
Product component		
• Light source		No
• diode		No
• lamp transformer		No
• series resistor		No
Mounting type		front mounting
Width	mm	10
Height	mm	45
Depth	mm	34

Connections/ terminals:

Type of connectable conductor cross-section

• for auxiliary contacts / solid	2x (1.0 ... 1.5 mm ²)
• for auxiliary contacts / solid / with core end processing	2x (0.5 ... 0.75 mm ²)
• for auxiliary contacts / finely stranded / with core end processing	2x (0.5 ... 1.5 mm ²)
• for AWG conductors / for auxiliary contacts	2x (18 ... 14)

Certificates/ approvals:

General Product Approval



EG-Konf.

other

[Confirmation](#)

[Environmental Confirmations](#)

Further information:

Information- and Downloadcenter (Catalogs, Brochures,...)

<http://www.siemens.com/industrial-controls/catalogs>

Industry Mall (Online ordering system)

<http://www.siemens.com/industrial-controls/mall>

Cax online generator

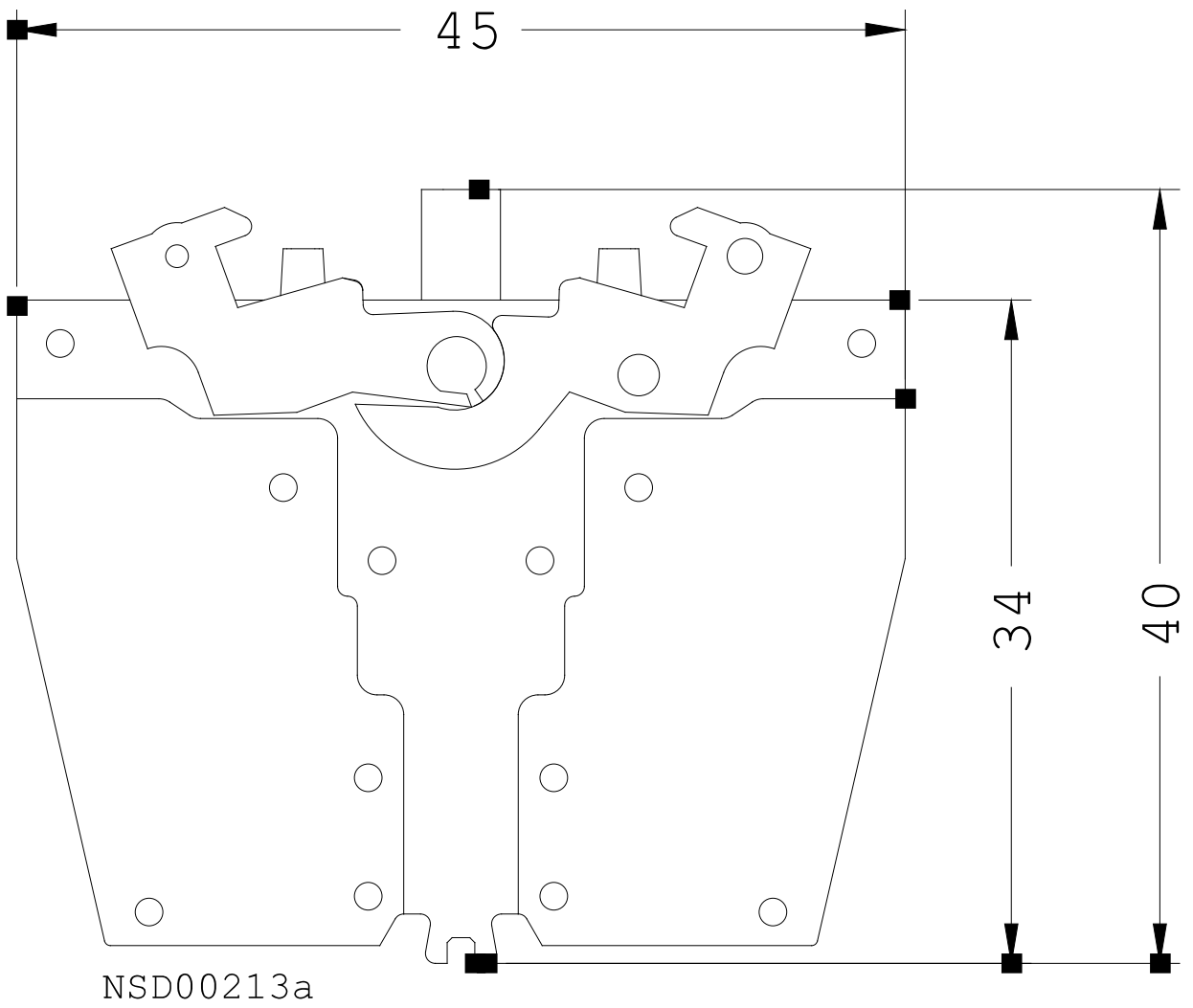
<http://www.siemens.com/cax>

Service&Support (Manuals, Certificates, Characteristics, FAQs,...)

<http://support.automation.siemens.com/WW/view/en/3SB3400-0D/all>

Image database (product images, 2D dimension drawings, 3D models, device circuit diagrams, ...)

http://www.automation.siemens.com/bilddb/cax_en.aspx?mlfb=3SB3400-0D



NSD00213a

last change:

Oct 20, 2014