



ACTUATOR-/INDICATOR COMPONENT CONTACT BLOCK WITH 2 CONTACTS SCREW TERMINAL, 1NC, 1NC

| Contact block/ lampholder:                             |  |                      |
|--|--|----------------------|
| Product designation                                    |  | contact block        |
| Number of NC contacts / for auxiliary contacts         |  | 2                    |
| Number of NO contacts / for auxiliary contacts         |  | 0                    |
| Number of changeover contacts / for auxiliary contacts |  | 0                    |
| Product function / positive opening                    |  | Yes                  |
| Number of lampholders                                  |  | 0                    |
| Design of the electrical connection                    |  | screw-type terminals |

| General technical details:  |   |   |
|---|---|---|
| Degree of pollution   |   | class 3   |
| Design of the fuse link / for short-circuit protection of the auxiliary switch / with type of assignment 1 / required   |   | gG / Dz 10 A  |
| Contact reliability   |   | one incorrect switching operation of 100 million switching operations (5 V, 1 mA) |
| Thermal current   | A | 10  |
| Type of voltage / of the operating voltage  |   | AC/DC   |
| Item designation  |   | S   |
| <ul style="list-style-type: none"> <li>• according to DIN EN 61346-2</li> <li>• according to DIN 40719 extendable after IEC 204-2 / according to IEC 750</li> </ul> |   | S   |
| Ambient temperature   |   |   |

|  |    |               |
|--|----|---------------|
| <ul style="list-style-type: none"> <li>during operating</li> </ul>   | °C | -25 ... +70   |
| <ul style="list-style-type: none"> <li>during storage</li> </ul>   | °C | -25 ... +80   |
| <b>protection type IP</b>  |    |               |
| <ul style="list-style-type: none"> <li>of the terminal</li> </ul>  |    | IP20          |
| <ul style="list-style-type: none"> <li>of the enclosure</li> </ul>   |    | IP40          |
| <b>Operating voltage / 1 / at 50 Hz / for AC / rated value</b>   | V  | 400           |
| <b>Operating voltage / 1 / at 60 Hz / for AC / rated value</b>   | V  | 300           |
| <b>Operating voltage</b>   |    |               |
| <ul style="list-style-type: none"> <li>1 / for DC / rated value</li> </ul>   | V  | 24            |
| <ul style="list-style-type: none"> <li>at 50 Hz / at AC / rated value</li> </ul>   | V  | 5 ... 400     |
| <ul style="list-style-type: none"> <li>at 60 Hz / at AC / rated value</li> </ul>   | V  | 5 ... 300     |
| <ul style="list-style-type: none"> <li>for DC <ul style="list-style-type: none"> <li>rated value</li> </ul> </li> </ul>  | V  | 5 ... 230     |
| <b>Operating current</b>   |    |               |
| <ul style="list-style-type: none"> <li>at AC-12 <ul style="list-style-type: none"> <li>at 24 V</li> <li>at 48 V</li> <li>at 110 V</li> <li>at 230 V</li> <li>at 400 V</li> </ul> </li> </ul> | A  | 10            |
| <ul style="list-style-type: none"> <li>at AC-15 <ul style="list-style-type: none"> <li>at 24 V</li> <li>at 48 V</li> <li>at 110 V</li> <li>at 230 V</li> <li>at 400 V</li> </ul> </li> </ul> | A  | 6             |
| <ul style="list-style-type: none"> <li>at DC-12 <ul style="list-style-type: none"> <li>at 24 V</li> <li>at 48 V</li> <li>at 110 V</li> <li>at 230 V</li> </ul> </li> </ul>                   | A  | 5             |
| <ul style="list-style-type: none"> <li>at DC-13 <ul style="list-style-type: none"> <li>at 24 V</li> <li>at 48 V</li> <li>at 110 V</li> <li>at 230 V</li> </ul> </li> </ul>                   | A  | 2.5           |
| <ul style="list-style-type: none"> <li>at DC-13 <ul style="list-style-type: none"> <li>at 24 V</li> <li>at 48 V</li> <li>at 110 V</li> <li>at 230 V</li> </ul> </li> </ul>                   | A  | 1             |
| <ul style="list-style-type: none"> <li>at DC-13 <ul style="list-style-type: none"> <li>at 24 V</li> <li>at 48 V</li> <li>at 110 V</li> <li>at 230 V</li> </ul> </li> </ul>                   | A  | 3             |
| <ul style="list-style-type: none"> <li>at DC-13 <ul style="list-style-type: none"> <li>at 24 V</li> <li>at 48 V</li> <li>at 110 V</li> <li>at 230 V</li> </ul> </li> </ul>                   | A  | 1.5           |
| <ul style="list-style-type: none"> <li>at DC-13 <ul style="list-style-type: none"> <li>at 24 V</li> <li>at 48 V</li> <li>at 110 V</li> <li>at 230 V</li> </ul> </li> </ul>                   | A  | 0.7           |
| <ul style="list-style-type: none"> <li>at DC-13 <ul style="list-style-type: none"> <li>at 24 V</li> <li>at 48 V</li> <li>at 110 V</li> <li>at 230 V</li> </ul> </li> </ul>                   | A  | 0.3           |
| <b>Suitability for integration</b>   |    | front element |
| <ul style="list-style-type: none"> <li>pressure selection button</li> </ul>  |    | Yes           |
| <ul style="list-style-type: none"> <li>front element</li> </ul>  |    | Yes           |
| <ul style="list-style-type: none"> <li>suspension switch</li> </ul>  |    | Yes           |

|   |     |                |
|---|-----|----------------|
| • suspension pushbutton   |     | Yes            |
| <b>Insulation voltage / rated value</b>   | V   | 400            |
| <b>Impulse voltage resistance / rated value</b>   | kV  | 4              |
| <b>Tightening torque / for auxiliary contacts / with screw-type terminals</b>                       | N·m | 0.8            |
| <b>Operating cycles / maximum</b>   | 1/h | 1,000          |
| <b>Electrical operating cycles as operating time / with contactors 3RT1015 to 3RT1026 / typical</b> |     | 10,000,000     |
| <b>Mechanical operating cycles as operating time / typical</b>                                      |     | 10,000,000     |
| <b>Product component</b>  |     |                |
| • fluorescent materials   |     | No             |
| • diode   |     | No             |
| • lamp transformer  |     | No             |
| • series resistance   |     | No             |
| <b>Type of mounting</b>   |     | front mounting |

#### Connections:

##### Type of the connectable conductor cross-section

- for auxiliary contacts / solid
- for auxiliary contacts / solid / with conductor end processing
- for auxiliary contacts / finely stranded / with conductor end processing
- for AWG conductors / for auxiliary contacts

2x (1 ... 1.5 mm<sup>2</sup>)  
2x (0.5 ... 0.75 mm<sup>2</sup>)  
2x (0.5 ... 1.5 mm<sup>2</sup>)  
2x (18 ... 14)

#### Certificates/approvals:

##### General Product Approval



[Confirmation](#)

[Environmental Confirmations](#)

##### Declaration of Conformity

##### other

#### Further information:

##### Information- and Downloadcenter (Catalogs, Brochures,...)

<http://www.siemens.com/industrial-controls/catalogs>

##### Industry Mall (Online ordering system)

<http://www.siemens.com/industrial-controls/mall>

##### Cax online generator

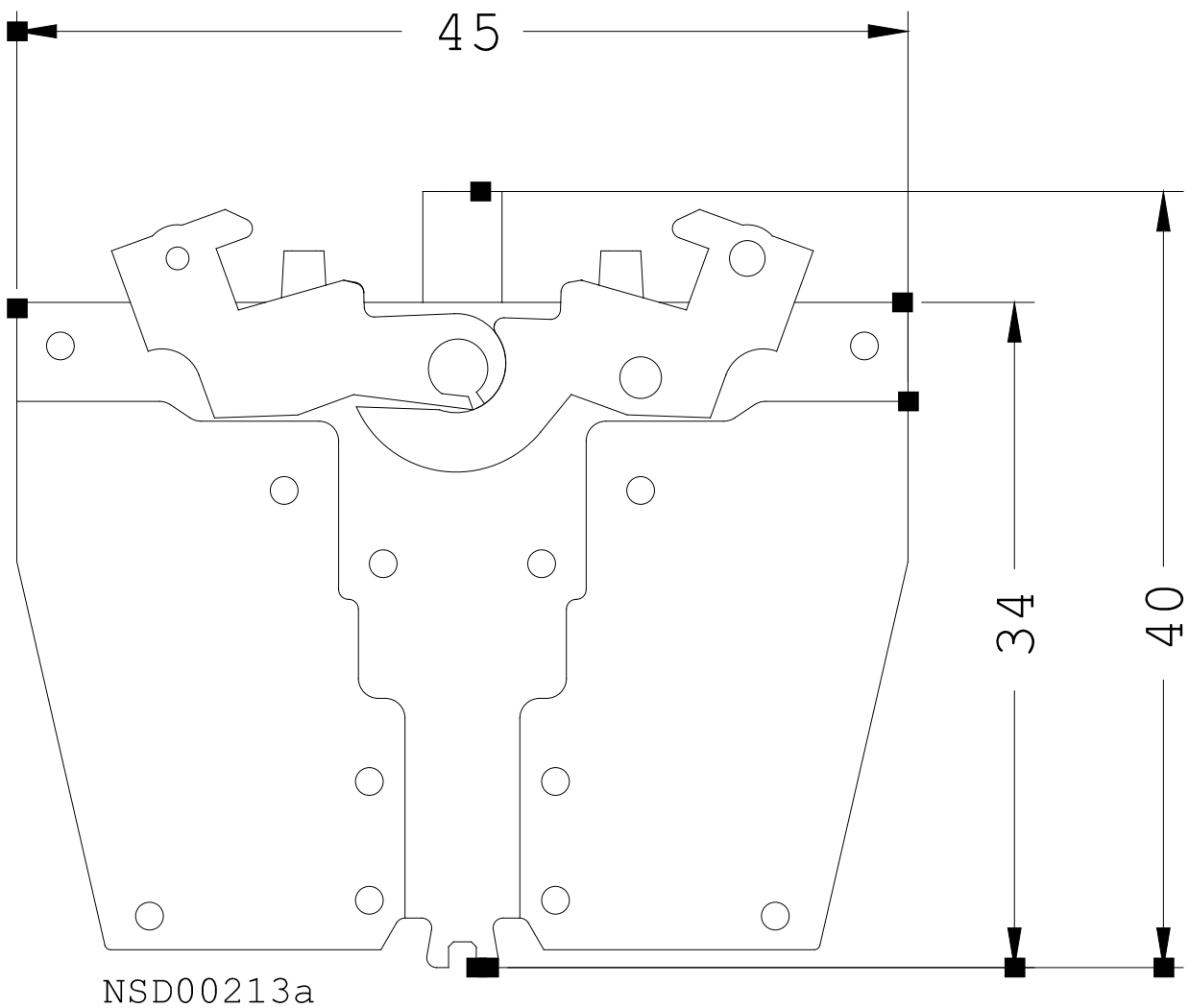
<http://www.siemens.com/cax>

##### Service&Support (Manuals, Certificates, Characteristics, FAQs,...)

<http://support.automation.siemens.com/WW/view/en/3SB3400-0E/all>

##### Image database (product images, 2D dimension drawings, 3D models, device circuit diagrams, ...)

[http://www.automation.siemens.com/bilddb/cax\\_en.aspx?mlfb=3SB3400-0E](http://www.automation.siemens.com/bilddb/cax_en.aspx?mlfb=3SB3400-0E)



NSD00213a

last change:

Jan 20, 2014