

22MM PLASTIC ROUND COMPLETE UNIT
COMBINATION: PUSHBUTTON WITH FLAT BUTTON
SCREW TERMINAL,
1NO WITH HOLDER BLACK

Actuator:		
Design of the product		Complete unit round
Design of the operating mechanism		Pushbutton
Manner of function / of the actuating element		Momentary contact type
Type of unlocking device		without
Color / of the actuating element		black
Material / of the actuating element		plastic
Shape / of the actuating element		Flat pushbutton
Number of switching positions		2
Product component / front ring		Yes
Material / of the front ring		plastic
Color / of the front ring		black
Design of the front ring		Standard
Product function / EMERGENCY STOP function		No

Holder:		
Material / of the holder		Plastic

Contact block/ lampholder:		
Design of the electrical connection		screw-type terminals
Number of switching elements		1

Number of NC contacts / for auxiliary contacts		0
Number of NO contacts / for auxiliary contacts		1
Number of CO contacts / for auxiliary contacts		0
Product function / positive opening		No
Number of lampholders		0
Product component / Light source		No
Product expansion / optional / Light source		No

Accessories:

Product component / holder for 3 switching elements

No

General technical data:

Type of voltage / of the operating voltage

AC/DC

Operating voltage / Rated value

- minimum

V

5

- maximum

V

400

Operating current

- at AC-12

- at 24 V / Rated value

A

10

- at 48 V / Rated value

A

10

- at 110 V / Rated value

A

10

- at 230 V / Rated value

A

10

- at 400 V / Rated value

A

10

- at AC-15

- at 24 V / Rated value

A

6

- at 48 V / Rated value

A

6

- at 110 V / Rated value

A

6

- at 230 V / Rated value

A

6

- at 400 V / Rated value

A

3

- at DC-12

- at 24 V / Rated value

A

10

- at 48 V / Rated value

A

5

- at 110 V / Rated value

A

2.5

- at 230 V / Rated value

A

1

- at DC-13

- at 24 V / Rated value

A

3

- at 48 V / Rated value

A

1.5

- at 110 V / Rated value

A

0.7

- at 230 V / Rated value

A

0.3

Shock resistance

• for devices without incandescent lamp / acc. to IEC 60068-2-27		<= 50g
Vibration resistance / acc. to IEC 60068-2-6		20 ... 200 Hz: 5g
Operating frequency / maximum	1/h	1,000
Mechanical service life (switching cycles) / typical		10,000,000
Reference code		S
• acc. to DIN EN 61346-2		S
• acc. to DIN 40719 extended according to IEC 204-2 / acc. to IEC 750		S
Tightening torque / of the screws in the bracket / maximum	N-m	1
Ambient temperature		
• during operation	°C	-25 ... +70
• during storage	°C	-40 ... +80
Protection class IP		IP66
Climate class / during operation / acc. to EN 60721		3K6
Mounting type		front mounting
Shape / of the installation opening		round
Installation width	mm	28.5
Mounting diameter	mm	22
Mounting height	mm	8
Installation depth	mm	49

Certificates/ approvals:

General Product Approval



CSA



UL



EG-Konf.

Test Certificates

[Special Test Certificate](#)

Shipping Approval



ABS



DNV



LRS



PRS



RINA

other

[Confirmation](#)

[other](#)

[Environmental Confirmations](#)

Further information:

Information- and Downloadcenter (Catalogs, Brochures,...)

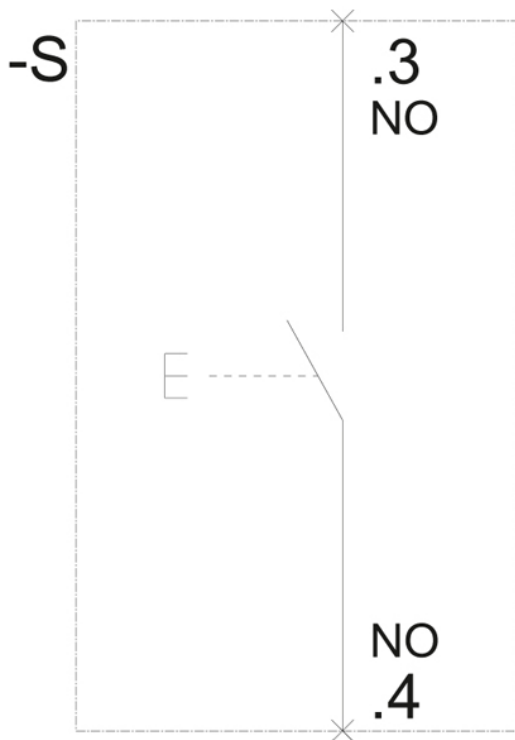
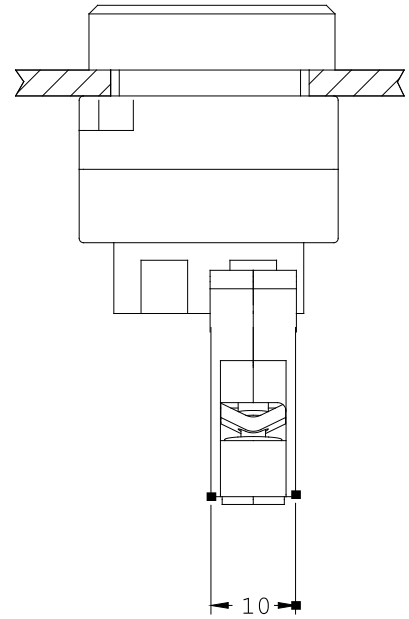
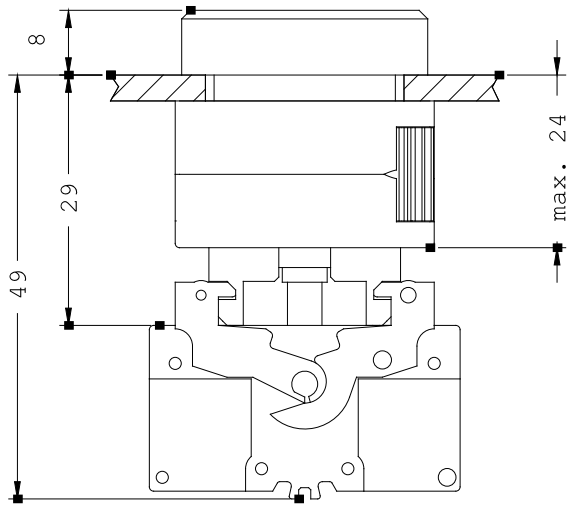
<http://www.siemens.com/industrial-controls/catalogs>

Industry Mall (Online ordering system)

<http://www.siemens.com/industrial-controls/mall>

Cax online generator

<http://www.siemens.com/cax>



last change:

Nov 17, 2014