

Date

Name

Client

Project Name

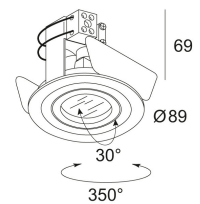
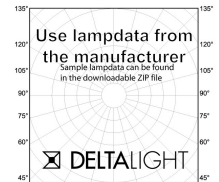
Quote#

Type/Quantity

CIRCLE S2

202 01 10

[Weblink](#)

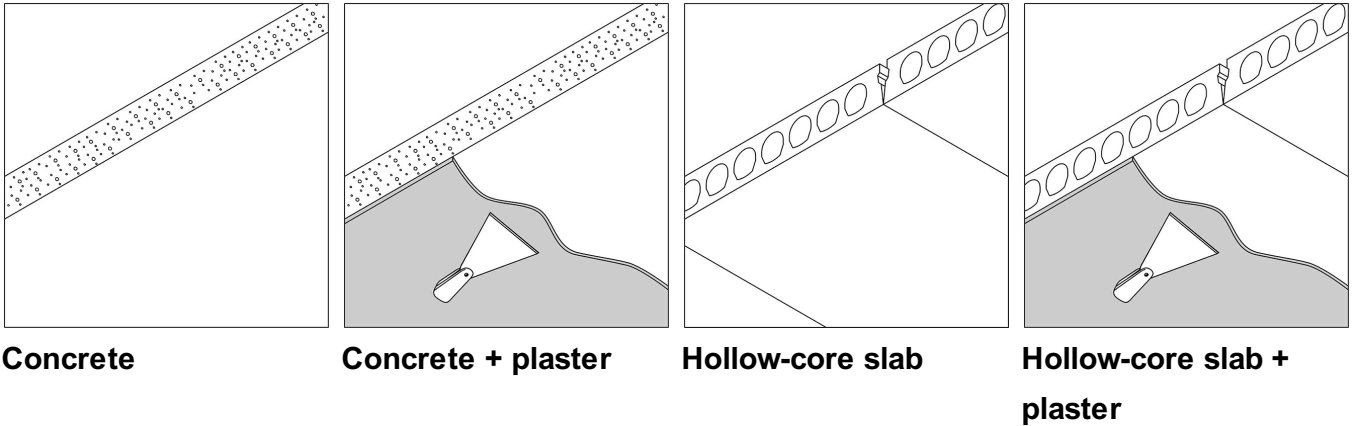


Cutout shape/size:	82 mm
Recessed depth:	70 mm
Available colors:	ALU GREY (202 01 10 A) ALUMINIUM (202 01 10 ALU) WHITE (202 01 10 W)
ADJUSTABLE 0°- 30° / 350°	
GX5.3 // 12V // EXCL.TRANSFO	
	1 x QR-CBC51 max.35W
	1 x QR-C51 max.50W
Class:	III
Weight:	0.1 KG
Protection level:	IP20
Minimum distance:	0,5m
Remarks:	WHITE finish : max. 35W
Options:	TRANSFO
Accessories:	TUBE C

For detailed installation instructions, please consult the manual. [202_01_10_HAND.pdf](#)

CIRCLE S2
202 01 10

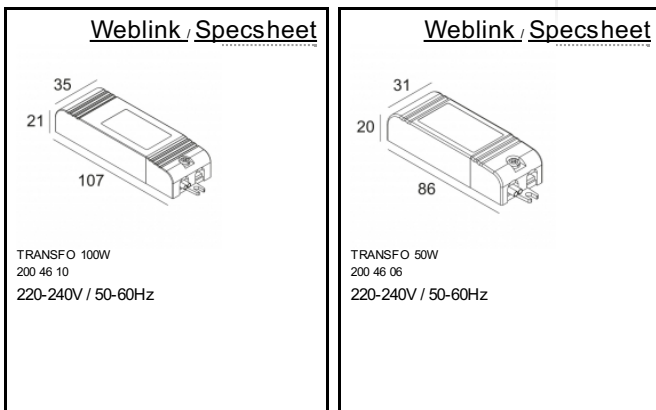
Ceiling compatibility



CIRCLE S2
202 01 10

Related references

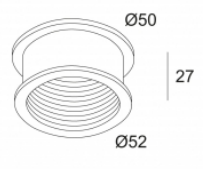
CONTROL GEAR, BALLAST AND TRANSFORMERS



Related references

LIGHT ALTERING DEVICES

Weblink / Specs sheet



TUBE C
202 02 05

CIRCLE S2
202 01 10

Related project picture of product family:

