



22MM PLASTIC ROUND ACTUATOR: ILLUMINATED PUSHBUTTON WITH FLAT BUTTON ILLUMINABLE INCL. HOLDER FOR 3 ELEMENTS WITH HOLDER GREEN

Actuato/ signaling device:	
Design of the operating mechanism	Illuminated pushbutton
Type of unlocking device	without
Material / of the activation element	plastic
Shape / of the activation element	Flat pushbutton
Number of switching positions	2
Product component / front ring	Yes
Material / of the front ring	plastic
Color / of the front ring	black
Design of the front ring	Standard
Product function / EMERGENCY STOP function	No

Holder:	
Material / of the holder	Plastic

General technical details:	
<b>Resistance against shock</b> <ul style="list-style-type: none"> <li>• for devices with incandescent lamp / according to IEC 60068-2-27</li> <li>• for devices without incandescent lamp / according to IEC 60068-2-27</li> </ul>	<= 30g <= 50g
<b>Resistance against vibration / according to IEC 60068-2-6</b>	20 ... 200 Hz: 5g

<b>Operating cycles / maximum</b>	1/h	1,000
<b>Mechanical operating cycles as operating time / typical</b>		3,000,000
<b>Item designation</b>		
• according to DIN EN 61346-2		S
• according to DIN 40719 extendable after IEC 204-2 / according to IEC 750		S
<b>Tightening torque / of the screws in the bracket / maximum</b>	N·m	1
<b>Ambient temperature</b>		
• during operating	°C	-25 ... +70
• during storage	°C	-40 ... +80
<b>Protection class IP</b>		IP66
<b>climatic class / during the operating phase / according to EN 60721</b>		3K6
<b>Type of mounting</b>		front mounting
<b>Shape / of the installation hole</b>		round
<b>Installation width</b>	mm	28.5
<b>Mounting diameter</b>	mm	22
<b>Mounting height</b>	mm	8
<b>Mounting depth</b>	mm	29

#### Certificates/ approvals:

##### General Product Approval



##### Test Certificates

[Special Test Certificate](#)

##### Shipping Approval



##### other

[Confirmation](#)

[other](#)

[Environmental Confirmations](#)

#### Further information:

##### Information- and Downloadcenter (Catalogs, Brochures,...)

<http://www.siemens.com/industrial-controls/catalogs>

##### Industry Mall (Online ordering system)

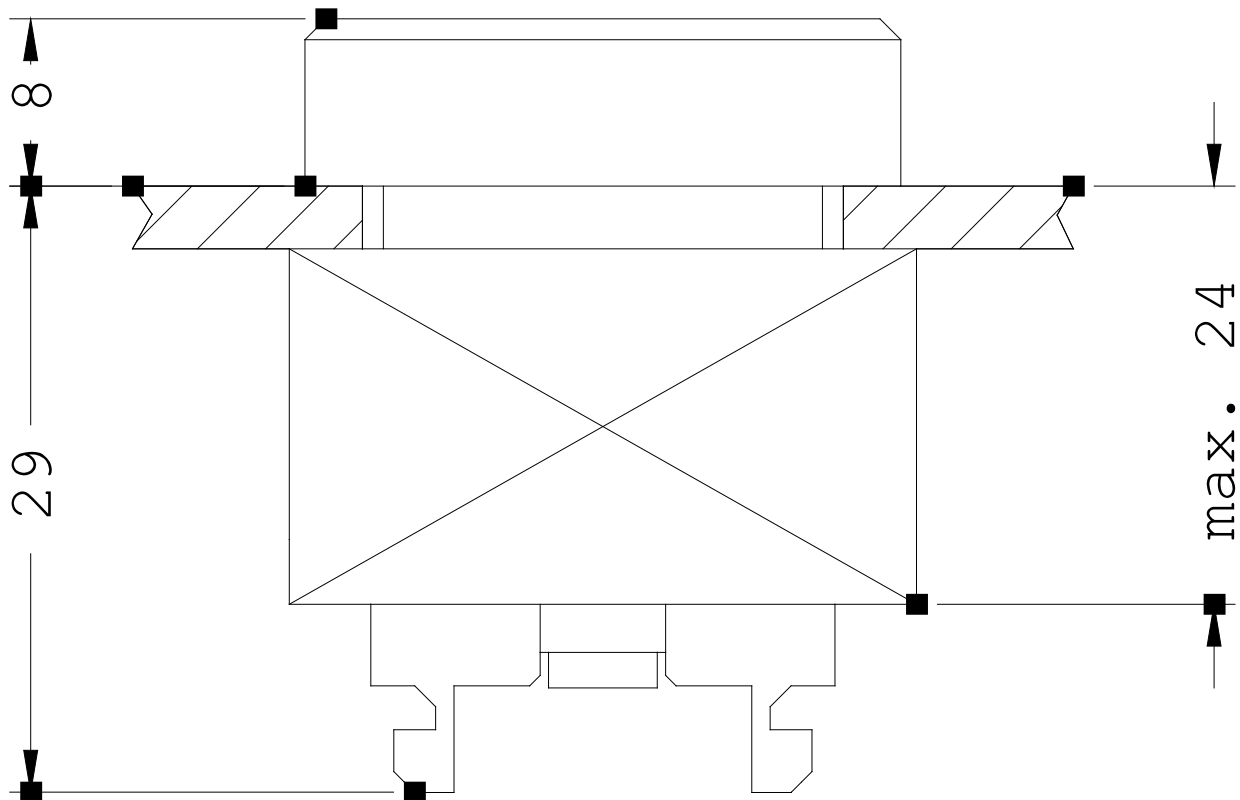
<http://www.siemens.com/industrial-controls/mall>

##### Cax online generator

<http://www.siemens.com/cax>

##### Service&Support (Manuals, Certificates, Characteristics, FAQs,...)

<http://support.automation.siemens.com/WW/view/en/3SB3001-0AA41/all>



last change:

Jan 21, 2013